



# INSTALLATION INSTRUCTIONS

## LED RETROFIT KIT

### SUITABLE LUMINAIRE TYPES

KIT MODEL	FLUORESCENT LUMINAIRE TYPES	FRENCH TRANSLATION
LRK22-23Lyxx-U	<ul style="list-style-type: none"> <li>2x2 Troffers: Lensed or parabolic, Type IC (Insulated Ceiling) or Type Non-IC, 40°C max ambient, requires minimum 3" depth, one LRK22 per troffer</li> <li>2ft or 4ft Wraparound: Lensed or non-lensed, (minimum 8.5" width and 2.25" depth), 25°C max ambient, requires minimum 3" wide wiring compartment, one LRK22 per 2ft, one or two LRK22 per 4ft</li> <li>2ft or 4ft Striplight: Non-lensed, (requires minimum wiring compartment dimensions 2.5" depth and 4" width), 25°C max ambient, one LRK22 per 2ft, one or two LRK22 per 4ft striplight</li> <li>2ft or 4ft Vaportight: Lensed, minimum 5" depth and 6.75" width, 40°C max ambient, one LRK22 per 2ft vaportight, one or two LRK22 per 4ft</li> <li>Any surface or pendant mount circular fluorescent luminaire that has a lamp compartment of overall 32 inches in diameter and 6-3/4 inches depth from the tip of the lens to the luminaire mounting surface, suitable for dry and damp locations, and suitable for 40°C ambient max.</li> </ul>	<ul style="list-style-type: none"> <li>2x2 à lentille ou parabolique, Type IC ou de Type NON-IC, température ambiante max. de 40° C , profondeur min. de 3"</li> <li>2 pi. ou de 4 pi. à lentille ou sans lentille enveloppante (largeur min. de 8.5" et profondeur de 2.25"), compartiment de câblage de 3" de large min., température ambiante max. de 25° C</li> <li>2 pi ou 4 pi, sans lentille, réglette, (dimensions du compartiment de câblage min., 2.5 "de profond, 4" de large), température ambiante max. de 25° C</li> <li>Lentille 2 pi. ou 4 pi. étanche à la vapeur avec profondeur min. de 5" et largeur de 6.75", température ambiante max. de 40° C</li> <li>Deux ensembles LRK22 pouvant être montés au luminaire de 4 pi. de type enveloppant, réglette ou étanche à la vapeur.</li> <li>Tout luminaire fluorescent circulaire pour montage surface ou suspendue et ayant un compartiment à lampe d'un diamètre total de 32 pouces et une épaisseur de 6-3/4 de la pointe de la lentille à la surface de montage du luminaire. Convient aux endroits secs et humides, et convient à une température ambiante max. de 40 °C.</li> </ul>
LRK22-30Lyxx-U		
LRK22-23Lyxx-347		
LRK22-30Lyxx-347		
LRK24-40Lyxx-U	<ul style="list-style-type: none"> <li>2x4 Troffers: Lensed or parabolic, Type IC (Insulated Ceiling) or Type Non-IC, 40°C max ambient, requires minimum 3" depth, one LRK24 per troffer</li> <li>4ft or 8ft Wraparound: Lensed or non-lensed, (minimum 8.5" width and 2.25" depth), 25°C max ambient, requires 3" wide minimum wiring compartment, one LRK24 per 4ft, one or two LRK24 per 8ft</li> <li>4ft or 8ft Striplight: Non-lensed, (minimum wiring compartment dimensions 2.5" depth and 4" width), 25°C max ambient, one LRK24 per 4ft, one or two LRK24 per 8ft striplight</li> <li>4ft or 8ft Vaportight: Lensed, minimum 5" depth and 6.75" width, 40°C max ambient, one LRK24 per 4ft vaportight, one or two LRK24 per 8ft</li> <li>Two continuously row mounted, Type IC or Type Non-IC, 1x4 recessed troffers rated for 40°C max. ambient with overall 4ft by 11-3/4" by 4-1/4" lamp compartment and overall 4ft by 3" by 1-1/2" wiring compartment.</li> </ul>	<ul style="list-style-type: none"> <li>2x4 à lentille ou parabolique, Type IC ou de Type NON-IC, température ambiante max. de 40° C , profondeur min. de 3"</li> <li>4 pi. ou 8 pi, à lentille ou sans lentille enveloppante (largeur min. de 8.5" et profondeur de 2.25"), compartiment de câblage de 3" de large min., température ambiante max. de 25° C</li> <li>4 pi ou 8 pi, sans lentille, réglette, (dimensions du compartiment de câblage min., 2.5 "de profond, 4" de large), température ambiante max. de 25° C</li> <li>Lentille 4 pi. ou 8 pi. étanche à la vapeur avec profondeur min. de 5" et largeur de 6.75", température ambiante max. de 40° C</li> <li>Deux ensembles LRK24 pouvant être montés au luminaire de 8 pi. de type enveloppant, réglette ou étanche à la vapeur.</li> <li>Montage continu sur 2 rangées, Type IC ou Type Non-IC, chemin lumineux encastré de 1 x 4 conçu pour des températures ambiantes maximum de 40 ° avec compartiment de lampe de 4 pi. x 11-3/4" x 4-1/4" et compartiment de câblage de 4 pi. x 3" x 1-1/2".</li> </ul>
LRK24-43Lyxx-U		
LRK24-46Lyxx-U		
LRK24-60Lyxx-U		
LRK24-46Lyxx-347		
LRK24-60Lyxx-347		
LRK32-30Lyxx-U	<ul style="list-style-type: none"> <li>2x2 Troffers: Lensed or parabolic, Type IC (Insulated Ceiling), 25°C max ambient, requires minimum 3" depth, one kit per troffer</li> <li>2x2 Troffers: Lensed or parabolic, Type Non-IC Suspended Ceiling, 40°C max ambient, requires minimum 3" depth, one kit per troffer</li> <li>2ft or 4ft Wraparound: Lensed or non-lensed, (minimum 8.5" width and 2.25" depth), 25°C max ambient, one kit per wraparound (lamps mounted end-to-end for 4ft)</li> <li>2ft or 4ft Striplight: Non-lensed, (requires minimum 2.5" depth wiring compartment), 25°C max ambient, one kit per 2ft or 4ft striplight OR two kits per 4ft striplight</li> <li>2ft or 4ft Vaportight: Lensed, minimum 5" depth and 6.75" width, 25°C max ambient, one kit per vaportight (lamps mounted end-to-end for 4ft)</li> <li>Any surface or pendant mount circular fluorescent luminaire that has a lamp compartment of overall 32 inches in diameter and 6-3/4 inches depth from the tip of the lens to the luminaire mounting surface, suitable for dry and damp locations, and suitable for 40°C ambient max.</li> </ul>	<ul style="list-style-type: none"> <li>2x2 à lentille ou parabolique, Type IC, température ambiante max. de 25° C , profondeur min. de 3"</li> <li>2x2 à lentille ou parabolique, Plafond suspendue type NON-IC, température ambiante max. de 40° C , profondeur min. de 3"</li> <li>2 pi. ou de 4 pi. à lentille ou sans lentille enveloppante (largeur min. de 8.5" et profondeur de 2.25"), compartiment de câblage de 3" de large min., température ambiante max. de 25° C</li> <li>2 pi ou 4 pi, sans lentille, réglette, (dimensions du compartiment de câblage min., 2.5 "de profond, 4" de large), température ambiante max. de 25° C</li> <li>Lentille 2 pi. ou 4 pi. étanche à la vapeur avec profondeur min. de 5" et largeur de 6.75", température ambiante max. de 25° C</li> <li>Deux ensembles LRK12 ou LRK22 pouvant être montés au luminaire de 8 pi. de type enveloppant, réglette ou étanche à la vapeur.</li> <li>Tout luminaire fluorescent circulaire pour montage surface ou suspendue et ayant un compartiment à lampe d'un diamètre total de 32 pouces et une épaisseur de 6-3/4 de la pointe de la lentille à la surface de montage du luminaire. Convient aux endroits secs et humides, et convient à une température ambiante max. de 40 °C.</li> </ul>
LRK32-45Lyxx-U		
LRK32-30Lyxx-347		
LRK32-45Lyxx-347		
LRK34-46Lyxx-U	<ul style="list-style-type: none"> <li>2x4 Troffers: Lensed or parabolic, Type IC (Insulated Ceiling), 25°C max ambient, requires minimum 3" depth, one kit per troffer</li> <li>2x4 Troffers: Lensed or parabolic, Type Non-IC suspended ceiling, 40°C max ambient, requires minimum 3" depth, one kit per troffer</li> <li>4ft or 8ft Wraparound: Lensed or non-lensed, (minimum 8.5" width and 2.25" depth), 25°C max ambient, one kit per 4ft wraparound, one or two kits per 8ft</li> <li>4ft or 8ft Striplight: Non-lensed, (minimum wiring compartment dimensions 2.5" depth and 4" width), 25°C max ambient, one kit per 4ft, one or two kits per 8ft striplight</li> <li>4ft or 8ft Vaportight: Lensed, minimum 5" depth and 6.75" width, 25°C max ambient, one kit per 4ft vaportight, one or two kits per 8ft</li> </ul>	<ul style="list-style-type: none"> <li>2x4 à lentille ou parabolique, Type IC, température ambiante max. de 25° C , profondeur min. de 3"</li> <li>2x4 à lentille ou parabolique, Plafond suspendue type NON-IC, température ambiante max. de 40° C , profondeur min. de 3"</li> <li>4 pi. ou 8 pi, à lentille ou sans lentille enveloppante (largeur min. de 8.5" et profondeur de 2.25"), compartiment de câblage de 3" de large min., température ambiante max. de 25° C</li> <li>4 pi ou 8 pi, sans lentille, réglette, (dimensions du compartiment de câblage min., 2.5 "de profond, 4" de large), température ambiante max. de 25° C</li> <li>Lentille 4 pi. ou 8 pi. étanche à la vapeur avec profondeur min. de 5" et largeur de 6.75", température ambiante max. de 25° C</li> <li>Deux ensembles LRK14 ou LRK24 pouvant être montés au luminaire de 4 pi. de type enveloppant, réglette ou étanche à la vapeur.</li> </ul>
LRK34-60Lyxx-U		
LRK34-46Lyxx-347		
LRK34-60Lyxx-347		

### INSTALLATION



**Step 1:** Disconnect power to the fixture.

**Step 2:** For 2x2 or 2x4 luminaire installations, locate latches on the lens frame and release. Swing lens frame open and carefully allow lens to hang open as shown in **Figure 1**.

*NOTE: For vaportights and lensed wraparound installations, remove lens and set aside.*

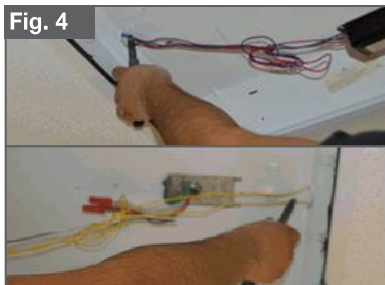
*NOTE: For striplight and non-lensed wraparound installations go to **Step 3**.*



**Step 3:** Remove existing linear fluorescent tubes as shown in **Figure 2**. Dispose of tubes per local regulations.



**Step 4:** Remove wiring compartment to access existing ballast and set aside. See **Figure 3**.



**Step 5:** Cut the leads from the ballast to the socket housing on both ends of the fixture as shown in **Figure 4**.

*NOTE: Cut the leads at the socket housing as short as possible. Push the leads back behind the lampholder housing or cap any exposed leads. Lampholders may be removed but require removal of lampholder leads.*



**Step 6:** Cut the leads from the input power to ballast. See **Figure 5**.

*NOTE: Cut leads at the ballast leaving as much length as possible to facilitate installation of the driver. Strip wires as necessary.*



**Step 7:** Remove ballast by unscrewing from the fixture and dispose of properly per local regulations. See **Figure 6**.



**Step 8:** Locate a flat area on the fixture within the wiring compartment to mount the driver. The driver must set flush with the fixture for proper thermal management. Install the driver where possible using existing crow's feet or mounting holes, and the provided two drill point screws with serrated heads. Ensure driver is properly grounded. See **Figure 7**.

*NOTE: For striplight mounting, it is recommended to minimize exposed blue and red light bar leads to 3".*



**Step 9:** Peel liner from double-sided foam tape strips at opposite corners of light bar. Position light bar approximately at the centerline of existing lamp sockets and centered between the sockets as shown in **Figure 8**. Apply pressure to temporarily affix the light bar.

*NOTE: Remove any support brackets for U-Bend fluorescent lamps. These are typical in some 2'x2' luminaires.*

*For striplight fixtures, position the lamps on the wiring compartment cover.*

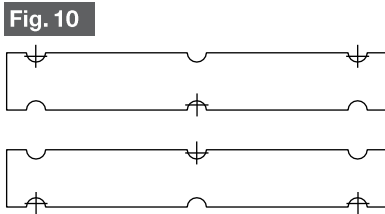
*For circular surface or pendant mount luminaires, be careful to position the light bars so that the branch circuit wiring insulation will not be abraded or cut.*

### INSTALLATION



**Step 10:** Once positioned, secure light bar to the fixture with the (6) provided self-tapping screws as shown in **Figure 9**. Repeat for additional light bars.

*CAUTION: Foam tape is temporary for ease of installation. Do not complete retrofit installation without securing screws (3 per lamp).*



**Step 11:** Recommended mounting pattern. See **Figure 10**.



**Step 12:** Connect red leads from both light bars to the loose red lead wire with the supplied orange 3-position connector by pushing into the open slot. Repeat for blue leads. See **Figure 11**.



**Step 13:** Connect red and blue lead wires to the correct driver contacts as indicated on the driver label. See **Figure 12**.

*NOTE: Optional 0-10V Analog Dimming Interface*

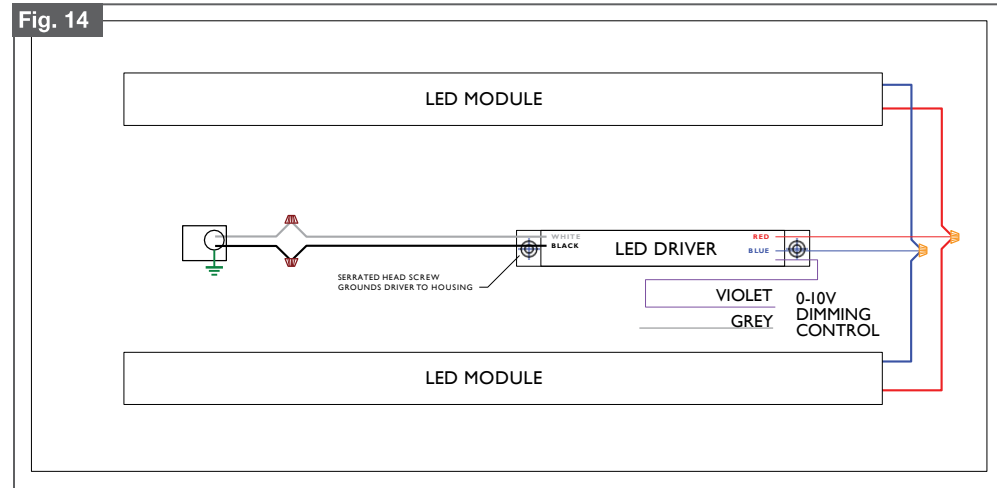
- Use Violet (+) and Gray (-) for connection to 0-10VDC.
- Capping Violet and Gray separately provides 100% light output.
- Wiring Violet and Gray together provides minimum light output.
- The dimming control connections on the LED driver are for Class 2 wiring methods only. Separate the dimming control field wiring from the branch circuit field wiring in the wiring compartment in accordance with the National Electrical Code.



**Step 14:** Prepare input power leads by stripping 1/4". Connect power lead wires to the correct driver contacts as indicated on the driver label. See **Figure 13**

*NOTE: If the existing black and white lead wires are too short to reach the new driver position, an extension can be created using the provided black and white leads and red two-position connector.*

### Step 15: Wiring Schematics



**Step 16:** Replace wiring compartment cover. Dress light bar leads under the cover. Take care not to pinch red and blue leads between the cover and fixture.

**Step 17:** Place relamp label at a visible location in the fixture. Close or replace lens and secure latches or other fastening means.