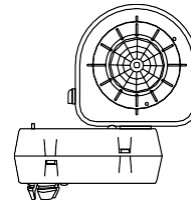


REPLACEMENT PARTS	DESCRIPTION
1 STRP4-ACC-LEN2	Luminaire Accessory, 2FT LENS FOR STRP4 LUMINAIRE (ORDER FIXTURE WITH LNPL OPTION)
2 STRP4-ACC-LEN4	Luminaire Accessory, 4FT LENS FOR STRP4 LUMINAIRE (ORDER FIXTURE WITH LNPL OPTION)
3 STRP4-ACC-LEN8	Luminaire Accessory, 8FT LENS FOR STRP4 LUMINAIRE (ORDER FIXTURE WITH LNPL OPTION)
4 STRP4-ACC-STDPL	Luminaire Accessory, 2PC STANDARD END PANEL FOR STRP4 LUMINAIRE
5 STRP4-ACC-LNPL	Luminaire Accessory, 2PC EXTENDED END PANEL FOR STRP4 LUMINAIRE

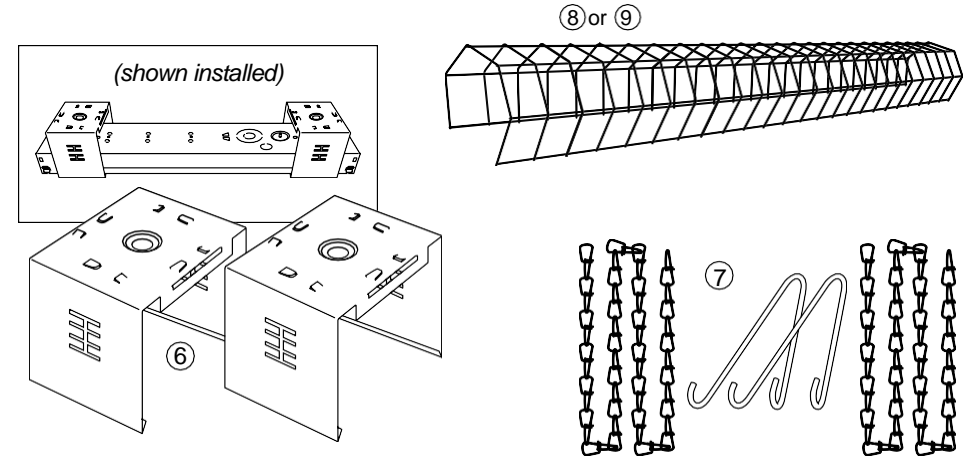
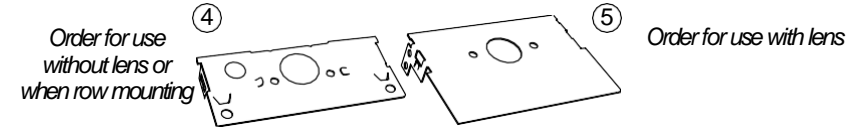
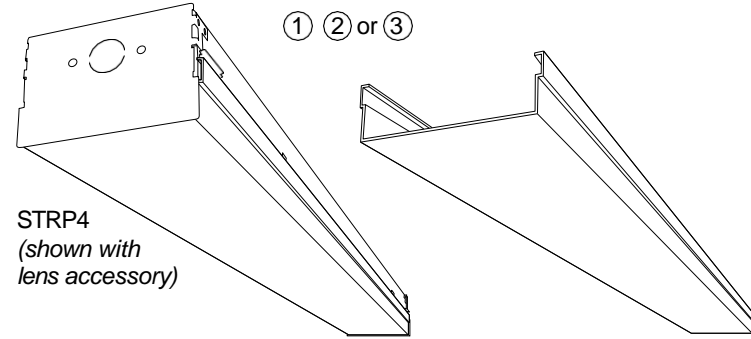
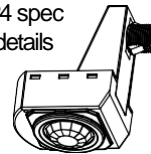
ACCESSORIES	DESCRIPTION
6 STRP4-ACC-NO67-STANDOFF	Luminaire Accessory, Standoff mounting device for STRP4 Luminaires (Set of 2)
7 STRP4-ACC-PNDKIT	Luminaire Accessory, CHAIN MOUNTING KIT includes 2PC V-TONG & 2PC 2 FT CHAIN
8 STRP4-ACC-WG2	Luminaire Accessory, 2FT WIREGUARD FOR STRP4 LUMINAIRE
9 STRP4-ACC-WG4	Luminaire Accessory, 4FT WIREGUARD FOR STRP4 LUMINAIRE
10 SENSOR-ACC-OS	Luminaire Accessory, PIR On/Off Occupancy Sensor with 2 Lenses, External Mount, 120-277-347 VAC
11 SENSOR-ACC-ODS	Luminaire Accessory, PIR Occupancy with Photo Sensor and Dimming, Includes 2 Lenses, External Mount, 120/277 VAC

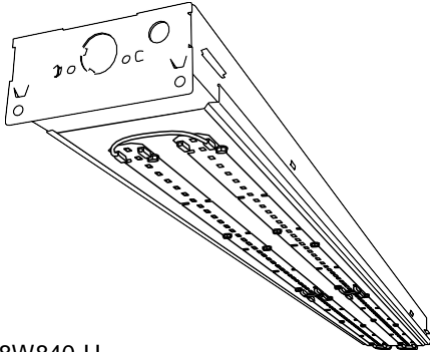
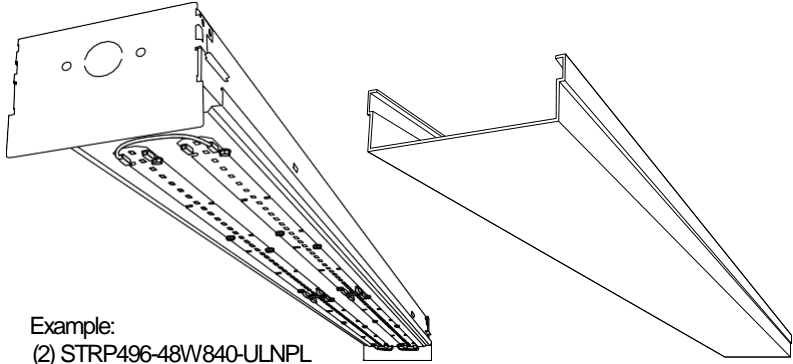
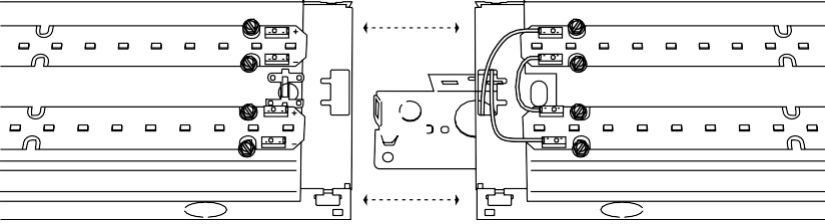
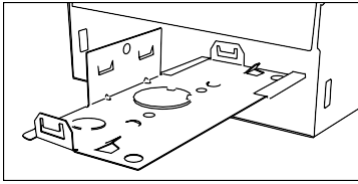
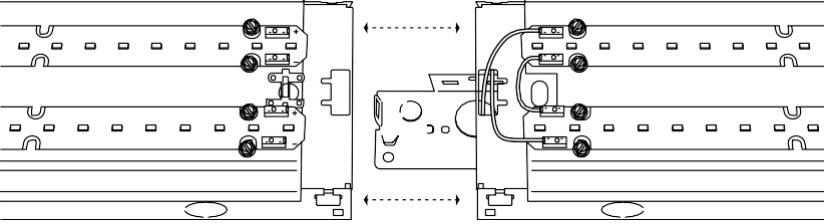
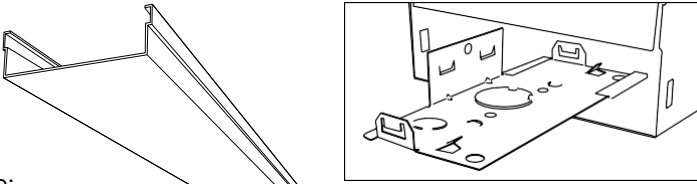
STRP4	REPLACEMENT DRIVER	DRIVER QTY	mA
STRP424-18W8xx-U	D10CC30UNVPW-C010C	1	662
STRP424-24W8xx-U	D10CC30UNVPW-C010C	1	852
STRP424-28W8xx-U	D10CC30UNVPW-C010C	1	998
STRP448-24W8xx-U	D10CC30UNVPW-C010C	1	852
STRP448-35W8xx-U	D15CC55UNVPW-C010C	1	637
STRP448-48W8xx-U	D15CC55UNVPW-C010C	1	860
STRP448-57W8xx-U	D15CC55UNVPW-C010C	1	1050
STRP496-48W8xx-U	D15CC55UNVPW-C010C	1	860
STRP496-70W8xx-U	D15CC55UNVPW-C010C	2	637
STRP496-97W8xx-U	D15CC55UNVPW-C010C	2	860
STRP496-114W8xx-U	D15CC55UNVPW-C010C	2	1050

10 See STRP4 spec sheet for details.



11 See STRP4 spec sheet for details



Mounting Configuration		No Lens	With Lens
Mount Fixtures Separately	<ul style="list-style-type: none"> <li>Order standard fixture with no option called out. No accessories required.</li> <li>Fixtures will ship with standard end panels.</li> </ul>  <p>Example: (2) STRP496-48W840-U</p>	<ul style="list-style-type: none"> <li>Order fixture with "LNPL" option. The "LNPL" end panels are taller to match the lens height.</li> <li>Order lens as a separate item.</li> </ul>  <p>Example: (2) STRP496-48W840-ULNPL (2) STRP4-ACC-LEN8</p>	
	<ul style="list-style-type: none"> <li>Order standard fixture with no option called out. No accessories required.</li> <li>Fixtures will ship with standard end panels.</li> <li>Standard end panels mount flat for row mounting alignment (use one panel per joint.)</li> </ul>   <p>Example: (2) STRP496-48W840-U</p> <p><i>Use of standard end plate to align adjoining housings for continuous run installations</i></p>	<ul style="list-style-type: none"> <li>Order standard fixture with no option called out.</li> <li>Fixtures will ship with standard end panels.</li> <li>Standard end panels mount flat for row mounting alignment (use one panel per joint.)</li> <li>Order one set of accessory "LNPL" end panels for the end of a row if needed.</li> <li>Order lens as a separate item.</li> </ul>   <p>Example: (2) STRP496-48W840-U (2) STRP4-ACC-LEN8 (1) STRP4-ACC-LNPL</p> <p><i>Use of standard end plate to align adjoining housings for continuous run installations</i></p>	