

REPLACEMENT PARTS	DESCRIPTION
1	VTL4-ACC-LENS Luminaire accessory, Vapor Tight Replacement 4' Lens (Diffuser), Contoured Acrylic, 100% Frost
2	VTL8-ACC-LENS Luminaire accessory, Vapor Tight Replacement 8' Lens (Diffuser), Contoured Acrylic, 100% Frost
3	VTL-ACC-6LATCHES-STD* Luminaire accessory, Vapor Tight Replacement Latches, White Plastic (Set of 6)
4	VTL-ACC-6LATCHES-SSL* Luminaire accessory, Vapor Tight Replacement Latches, Stainless Steel (Set of 6)
5	VTL-ACC-2MOUNTING* Luminaire accessory, Vapor Tight Replacement Mounting Brackets, Stainless Steel (Set of 2)

* Order two for 8' fixtures

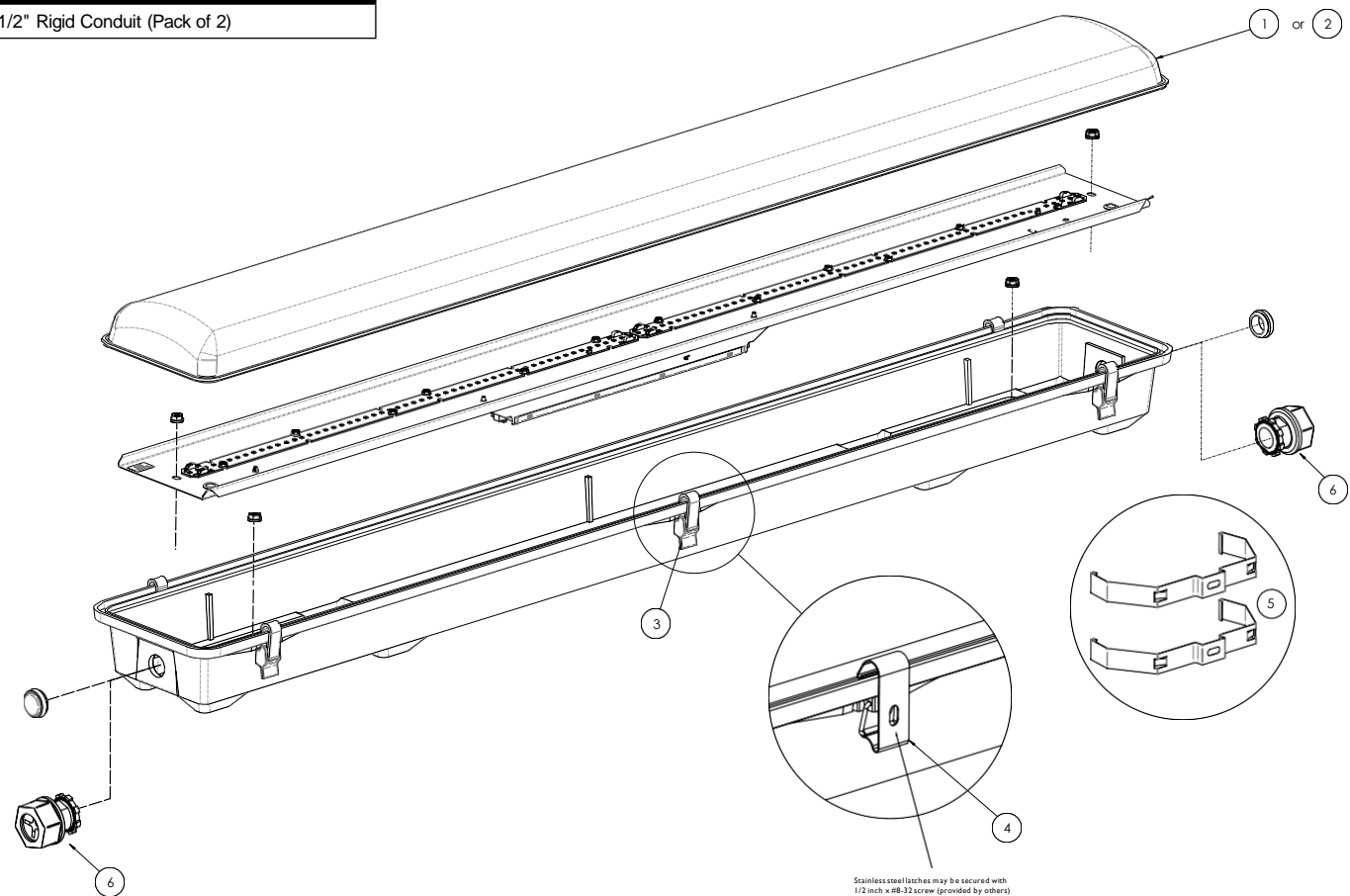
ACCESSORIES	DESCRIPTION
6	VTA-DCFIT-1/2 Vapor Tight 7/8" Aluminum Die Cast Fitting - 1/2" Rigid Conduit (Pack of 2)

4' VTL	UNV DRIVER	DRIVER QTY	OUTPUT CURRENT (mA)
VTL4-33L	D15CC55UNVPW-C010C	1	796
VTL4-40L	D15CC55UNVPW-C010C	1	1050
VTL4-5K	D15CC55UNVPW-C010C	1	1050
VTL4-6K	D15CC55UNVPW-C010C	1	1500
VTL4-8K	D21CC80UNVPW-D010C	1	2100
VTL4-10K	D15CC55UNVPW-C010C	2	1308

8' VTL	UNV DRIVER	DRIVER QTY	OUTPUT CURRENT (mA)
VTL8-7K	D15CC55UNVPW-C010C	2	796
VTL8-8K	D15CC55UNVPW-C010C	2	1050
VTL8-10K	D15CC55UNVPW-C010C	2	1050
VTL8-12K	D15CC55UNVPW-C010C	2	1500
VTL8-16K	D21CC80UNVPW-D010C	2	2100
VTL8-20K	D15CC55UNVPW-C010C	4	1308

4' VTL	347V DRIVER	DRIVER QTY	OUTPUT CURRENT (mA)
VTL4-33L	D10CC55347TZCP76C	1	790
VTL4-40L	D10CC55347TZ-CN0C	1	1050
VTL4-5K	D10CC55347TZ-CN0C	1	1050
VTL4-6K	D15CC55347TZ-CN0C	1	1500
VTL4-8K	D21CC80347TZ-DN0C	1	2100
VTL4-10K	D15CC55347TZCP87C	2	1310

8' VTL	347V DRIVER	DRIVER QTY	OUTPUT CURRENT (mA)
VTL8-7K	D10CC55347TZCP76C	2	790
VTL8-8K	D10CC55347TZ-CN0C	2	1050
VTL8-10K	D10CC55347TZ-CN0C	2	1050
VTL8-12K	D15CC55347TZ-CN0C	2	1500
VTL8-16K	D21CC80347TZ-DN0C	2	2100
VTL8-20K	D15CC55347TZCP87C	4	1310



Stainless steel latches may be secured with 1/2 inch x #8-32 screw (provided by others)