

2G7 Lampholders for Twin Tube 4-Pin Lamps

APPLICATION and PERFORMANCE SPECIFICATION

Description: For single ended compact fluorescent 4-pin lamps 5, 7, 9, and 11W

- Body: Casing - PBT GF
- Quick connect terminals: 18 AWG Solid and Stranded
- 660W/600V
- IEC Temperature Rating T140

| Type | Ref. # | Mounting Type | Mounting Options | Drawing | Weight (g) | Packing Unit |
|-------|--------|------------------------|--|---------|------------|--------------|
| 35613 | 500574 | Snap-In | Cutout (10x20mm) | A | 18 | 500 |
| 35610 | 109235 | Snap-In | Rear (ST #8 Screws) Front (#4 Screw) Locking (15° Turn) | B | 15 | 500 |
| 35611 | 109238 | Horizontal Flush Mount | Lateral & Rear (ST #8 Screws) Base (oblong #8 Screws) Ft (#4 Screws) | C | 17 | 500 |
| 35612 | 109240 | Back Panel Mount | Rear (ST #8 Screws) Front (#4 Screws) | D | 14 | 500 |

Physical Parameters

- Fatigue-free stainless lamp carrier springs
- Please see drawings for dimensions

Safety:

- cUL_{US} listed - Indoor Use (E110363)
- VDE/ENEC Approved

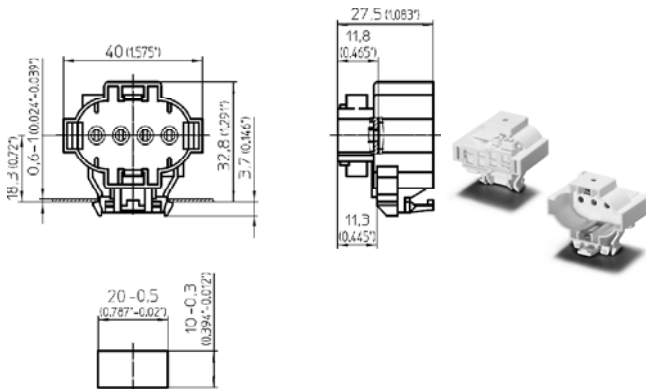
Performance:

- Meets ANSI Standard C81.62-2009
- Meets IEC Standard 60400
- Lampholders meet IP20 standard

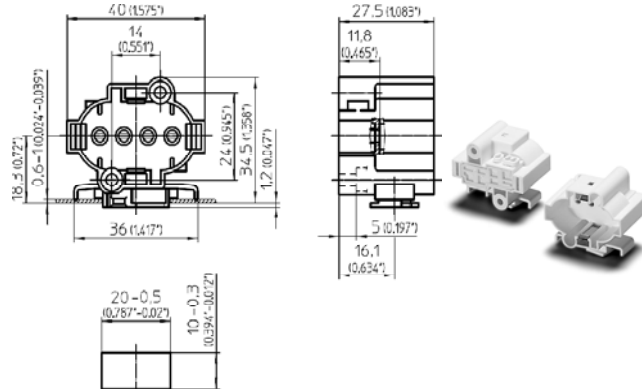


Warranty:

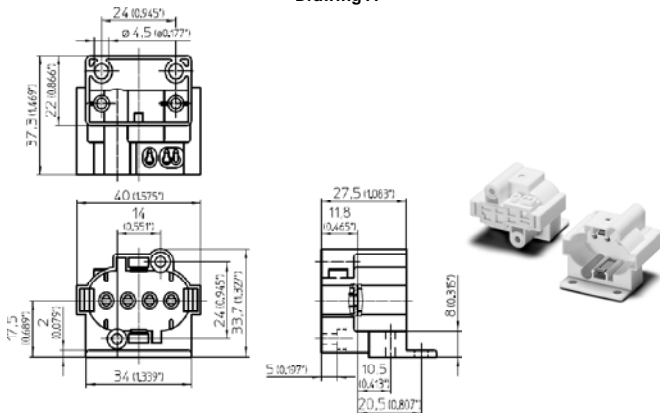
Universal Lighting Technologies warrants to the purchaser that each lampholder will be free from defects in material or workmanship for a period of 3 years from date of manufacture when properly installed and under normal conditions of use. Call **1-800-BALLASTx800** for technical assistance.



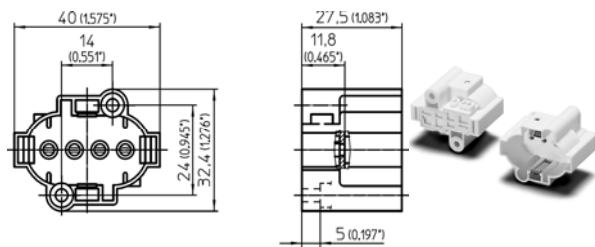
Drawing A



Drawing B



Drawing C



Drawing D