

Accessories for 2G(X)7, G(X)23, and G(X)24 Compact Fluorescent Lamps

APPLICATION and PERFORMANCE SPECIFICATION

Description: Accessories for 2G(X)7, G(X)23, and G(X)24 Compact Fluorescent Lamps

Type	Ref. #	Component	Lamp Type	Material	Height	Mounting	Diagram	Weight (g)	Packing Unit
97194	108956	Fixing Bracket	-	PA, White	-	Oblong hole for #8 Screw	A	2	500
35060	105775	Lamp Support	G23/GX23/2G 7/2GX7	PC, White	17.5/20.5/23.5mm	Push-fit for Ø5.5mm up to 1mm thick	B	0.4	500
35061	105931	Lamp Support		PC, White	27.5/30.5/33.5mm		C	0.7	500
35060	105776	Lamp Support		PC, Clear UV	-		B/C	0.7	500
35060	106416	Lamp Support		PC, White UV	-		B/C	0.7	500
93058	509522	Lamp Support	TC-S/TC-SEL	SS	17.5mm	Push-fit for Ø5.5mm	E	1.3	500
93059	509521	Lamp Support	TC-S/TC-SEL	SS	17.5mm	Push-fit for 8.5x10.5mm	E	1.3	500
97031	105448	Lamp Support	TC-D/TC-DEL	PC, White	24mm	Slot for M3.5 screw	D	1.5	500
97099	107499	Insert	G(X)24q	PBT	-	-	F	0.54	500 Obsolete
97249	504906	Insert	G(X)24q*	PBT	-	-	G	0.56	500 Obsolete

* For insertion into G24q-1 lampholder type 35912 for triple-tube lamps with GX24q-5 base and G24q-2 lampholder type 35942 triple-tube GX24q-6 base lamps.

Physical Parameters

- Please see drawings for dimensions



Warranty:

Universal Lighting Technologies warrants to the purchaser that each lampholder will be free from defects in material or workmanship for a period of 3 years from date of manufacture when properly installed and under normal conditions of use. Call **1-800-BALLASTx800** for technical assistance.

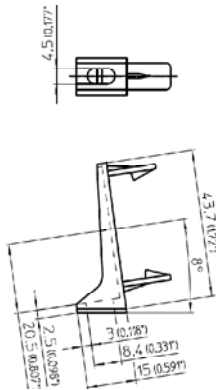


Diagram A

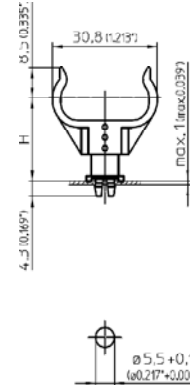


Diagram B

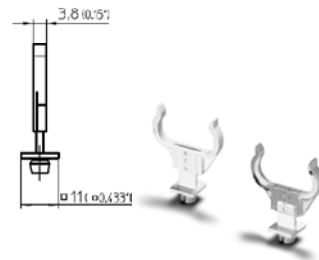


Diagram C

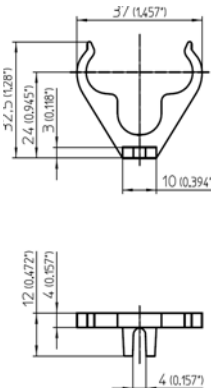
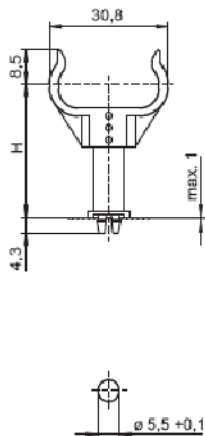


Diagram D

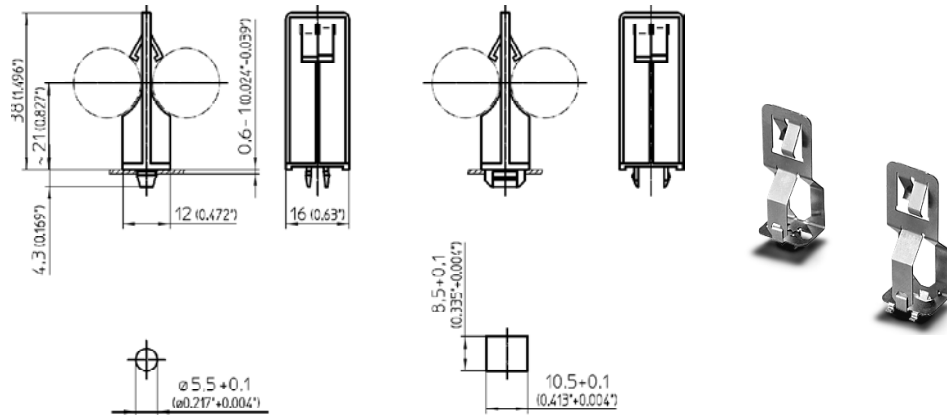


Diagram E



Diagram F

Diagram G