



Project Name: _____
Part Numbers: _____ Date: _____

### Features

- Wireless lighting control console
- Wall or table mounting hardware
- Preset scenes
- Manual control
- Control up to 8 zones

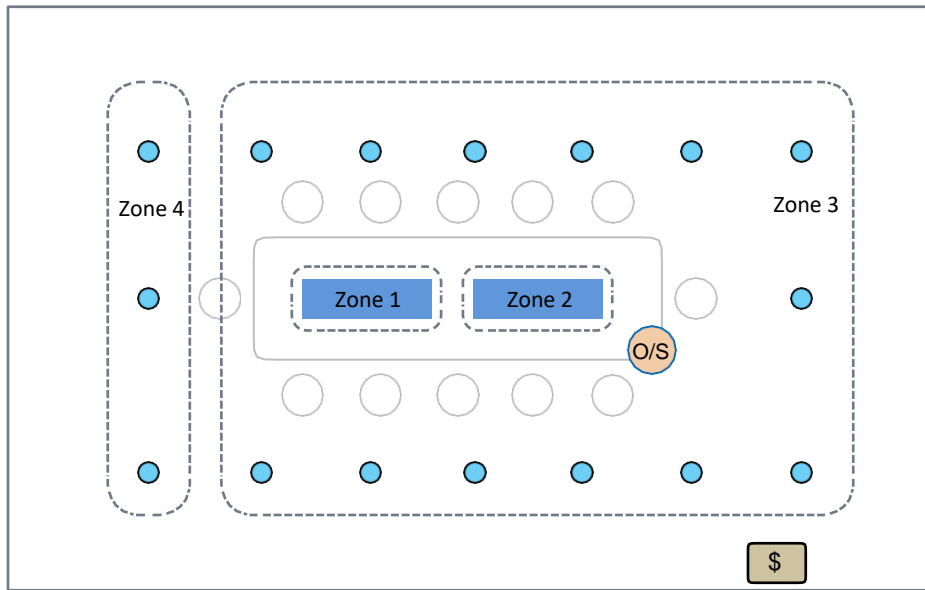
Provide users with a touch screen solution for controlling lights in conference rooms. The Conference Room app operates on an Apple iPad Mini and allows users set and adjust lights that are controlled with the Dialog Bluetooth® Wireless ecosystem. Users may select preset scenes or manually control individual fixtures or zones. Once configured, an administrator password is needed to change the layout, network key and room ID. A dark or light background can be selected to match the aesthetics of the room.

**Typical Applications:** Select the iPad and mounting solution that meets your room requirements, then download the Douglas Lighting Controls Conference Room app from the Apple App Store. The wall mount allows the iPad to be used in place of a regular Dialog Bluetooth® wall station switch. Alternatively, a table mounted solution is also available.

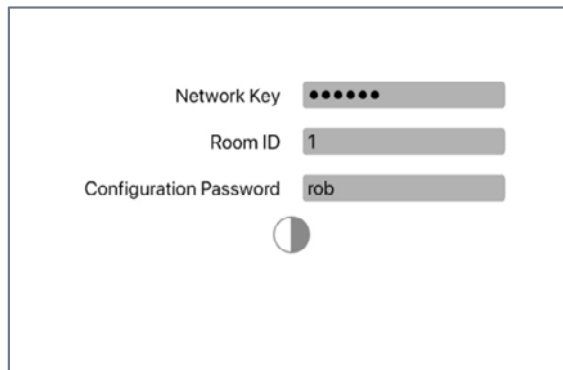


PART NUMBER	DESCRIPTION
BT-IPAD-MINI-WHT	Control Interface iPad Mini Silver/White
BT-IPAD-MINI-BLK	Control Interface iPad Mini Space Grey/Black
BT-IPAD-MSM-WHT	Mounting Bracket iPad Mini Surface Mount White
BT-IPAD-MSM-BLK	Mounting Bracket iPad Mini Surface Mount Black
BT-IPAD-MLP-BLK	Mounting Bracket iPad Mini LuxePort Black
BT-IPAD-MLP-SVR	Mounting Bracket iPad Mini LuxePort Silver
BT-IPAD-MLP-WHT	Mounting Bracket iPad Mini LuxePort White

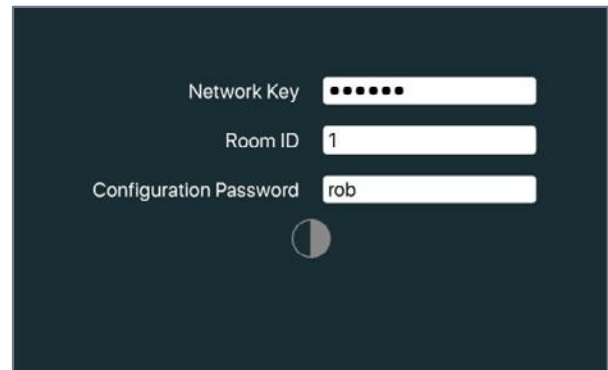




Conference Room example with 4 zones, occupancy sensor, and wall station switch



Light Background



Dark Background

## Technical Details

<b>FUNCTIONALITY</b>	<ul style="list-style-type: none"> <li>• Preset or manually control lighting with a touch screen solution</li> <li>• Download Douglas Lighting Controls App from Apple App store for configuration</li> </ul>
<b>RANGE</b>	<ul style="list-style-type: none"> <li>• 150' Clear line of site. 50' through standard walls (distances may vary based on location and environment. Additional devices may be required at time of commissioning to ensure Bluetooth network integrity.)</li> </ul>
<b>ENVIRONMENT</b>	<ul style="list-style-type: none"> <li>• Indoor, stationary, non-vibrating, non-corrosive atmosphere and non-condensing humidity</li> <li>• Operating Temperature: 32°F to 104°F (0°C to 40°C)</li> <li>• Storage Temperature: 14°F to 140°F (-25°C to 60°C)</li> </ul>
<b>WARRANTY</b>	<ul style="list-style-type: none"> <li>• Standard 5-year</li> </ul>