

D10CC60UNVA-Vx



1050mA LED Driver

- Universal input voltage 120 – 277 Vac
- 0-10V Dimming w/ Class 2 Output
- 12V Power source for Active cooling device

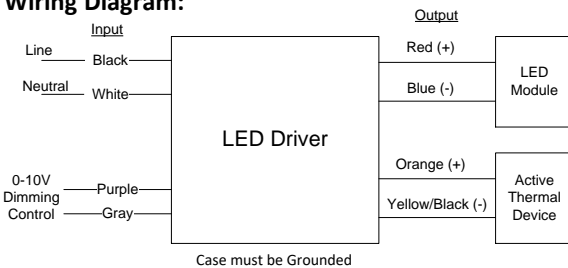
Performance

| | |
|-------------------|----------------------|
| Input Voltage | 120 ~ 277 Vac |
| Input Current Max | 0.59 /120V 0.26/277V |
| Input Power Max | 71W |
| Input Frequency | 50 - 60 (Hz) |
| Power Factor | > 0.95 |
| THD max | < 20 % |
| Output Voltage | 19 - 57V |
| Output Current | 32mA - 1050mA |
| Output Power | 60W Max |
| Line Regulation | ±3 % |
| Load Regulation | ±5 % |

Environmental

| | |
|-----------------------|--|
| EMI and RFI | Meets FCC part 15 (Class A) Non-Consumer Limits |
| Operating Temperature | -40°C to 50°C (-40°F to 122°F) |
| Storage Temperature | -40°C to 60°C (-40°F to 140°F) |
| tc | 85°C (185°F) max |
| Protection Rating | UL Dry & Damp |

Wiring Diagram:



Physical

| | |
|------------------------|--------------------|
| Overall Length -VF | 5.51 in (140.0 mm) |
| Overall Length -VJ/-VN | 5.02 in (127.5 mm) |
| Width | 3.62 in (92.0 mm) |
| Height | 1.57 in (39.9 mm) |
| Weight | 20 oz. |
| Lead Lengths | |
| Blk, Wht, Purple, Gray | 8 in |
| Red(+), Blue(-) | 8 in |
| Orange, Yellow/Black | 8 in |

Lead-wires are 20 AWG 105°C /600V solid copper.

Protection

Over voltage, Overload and short circuit, over temp.

Safety:

UL 8750& CSA No. 250.13-12

Enclosure Options

| Part Number | Description |
|----------------|------------------|
| D10CC60UNVA-VF | Mounting Feet |
| D10CC60UNVA-VJ | J-Box Stud Mount |

Orange & Yellow/Black are for 12V, 1.2W max Active cooling device (ex: Nuventix Synjet downlight LED Cooler)

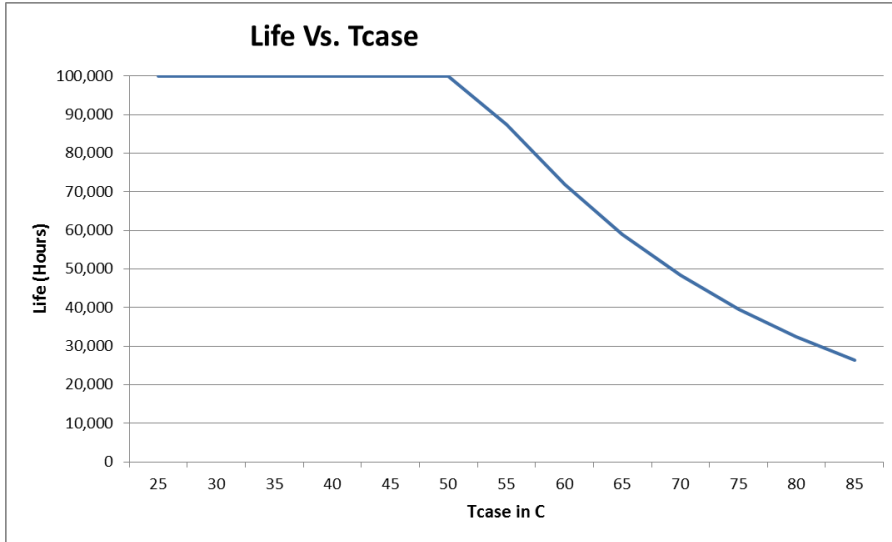
Control Wiring

- Use Violet (+) & Gray (-) for connection to 0-10vDC.
- Driver protected if line voltage is applied.
- Wiring Violet & Gray together provides min. light output.
- Capping Violet & Gray separately provides 100% light output.

Application and operation performance specification information subject to change without notification.



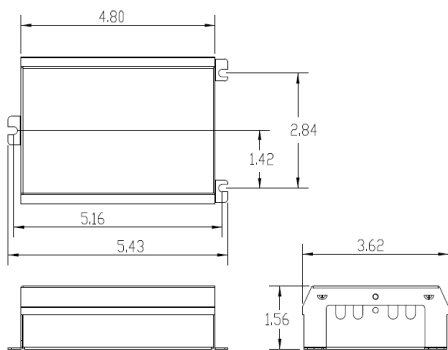
Life vs. Driver Tcase



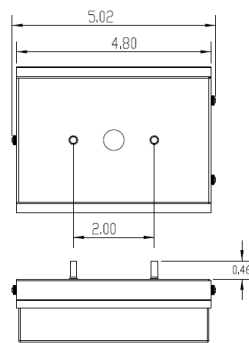
The Data curve provided predicts the LED Driver life based on the case temperature measured at the Tc location identified on the label or specification sheet. The Telecordia SR-332 standard is used to generate the prediction curves.

Dimensions

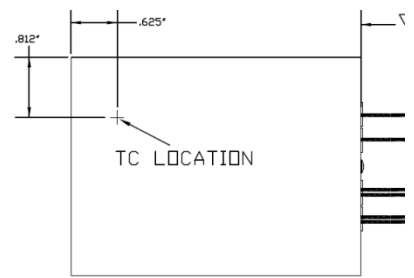
-VF Case



-VJ Case



Tc Location



Bottom View

Application and operation performance specification information subject to change without notification.

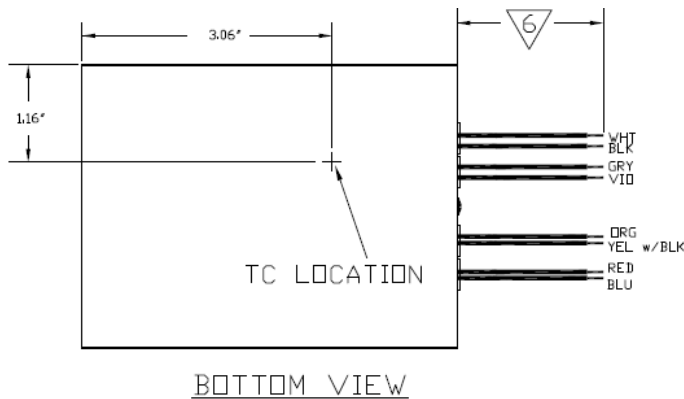
0-10V Dimming Interface

Analog 0 to 10 vDC Voltage Control

- 10v = maximum output
- 0v = minimum output
- 0-10V interface can be wired as Class 1 or Class 2 Circuit.
- Driver will source a maximum of 250uA for control needs.
- Built-in line voltage protection circuit: Deep-dimming condition when line voltage is applied to control leads.

Conditions of Acceptability –

1. These products are for use only in (or with) complete end product equipment where the acceptability of the combination is determined by CSA International or others having jurisdiction.
2. The product shall be installed in compliance with the enclosure, mounting, mounting surface, strain relief, pushback relief, spacing, segregation, and all other applicable requirements of the End Product in which it is employed. Suitability shall be determined during End Product Certification Evaluation.
3. Product / product installation into end product is subject to any additional applicable requirement(s) of all applicable end product standard(s). These requirements shall be verified during end product evaluation.
4. This Driver must be installed in a complete electrical enclosure in compliance with the applicable requirements of the End Product in which it is employed.
5. The Driver is suitable for use in “DRY” or “DAMP” locations.
6. The driver was evaluated for use in a 64°C elevated ambient and the maximum case temperature at (Tc) location should not exceed 85°C when the driver is installed in the end-use application.
7. The case must be grounded in the end use.
8. The LED, Fan and Dimming Control (0-10V) output connections are rated Class 2.



For the “N” and “F” versions, Tc location is on the bottom of the case. For the “J” version with the leads exiting out the bottom, the screw on the side of the case is oriented to the right and the Tc is located on the side with the label.

FCC Statement: This device complies with part 15 of the FCC Rules. Operation is subject to the following two conditions: (1) This device may not cause harmful interference, and (2) this device must accept any interference received, including interference that may cause undesired operation.

Warranty:

Universal Lighting Technologies warrants to the purchaser that each power supply will be free from defects in material or workmanship for a period of 5 years from the date of manufacture when properly installed per instructions and under normal operating conditions of use. Call 1-800-225-5278 for technical assistance.

Application and operation performance specification information subject to change without notification.