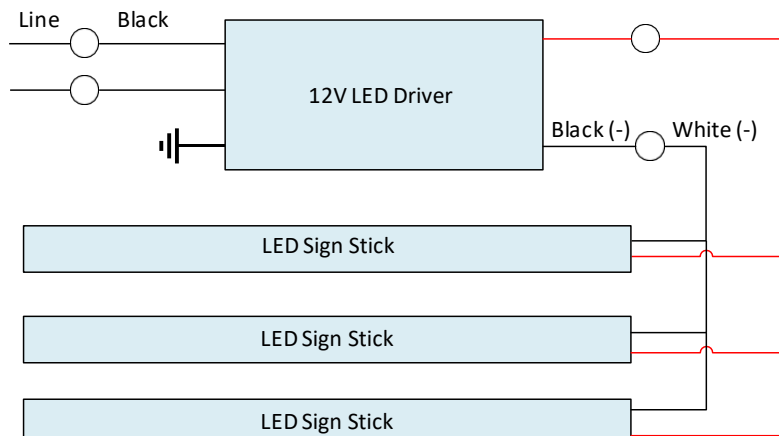


DRIVER LOADING

Driver P/N	Model Number	Sign Stick Input Power (W)	Max. # of Sign Sticks per Driver
L24V100UNV-A L24V100UNV-Q	EVDS24-65-24	7.8	12
	EVDS24-65-36	11.6	8
	EVDS24-65-48	15.5	6
	EVDS24-65-60	19.4	4
	EVDS24-65-72	23.3	4
	EVDS24-65-84	27.2	3
	EVDS24-65-96	31.0	3
	EVDS24-65-108	35.0	2
	EVDS24-65-120	38.8	2

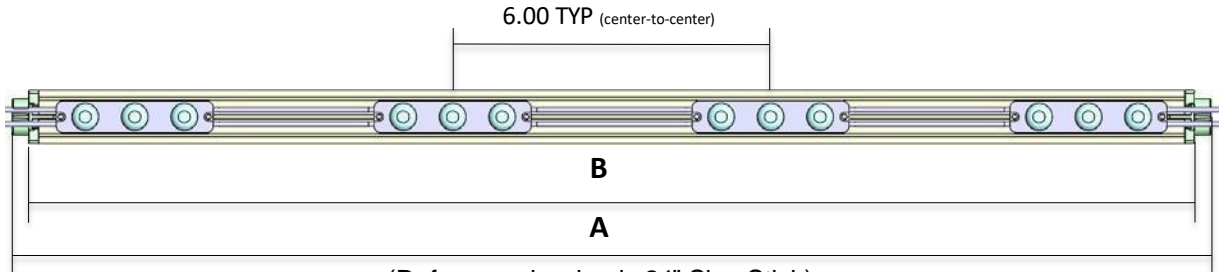
WIRING DIAGRAM



LED Sign Sticks are connected in parallel with each other. Use the driver loading table to determine the maximum amount of Sign Sticks that can be connected to a single driver.

Application and operation performance specification information subject to change without notification.

DIMENSIONS



(Reference drawing is 24" Sign Stick)

Model	A (in.)	B (in.)
EVDS24-65-24	21.8	20.84
EVDS24-65-36	33.8	32.84
EVDS24-65-48	45.8	44.84
EVDS24-65-60	57.8	56.84
EVDS24-65-72	69.8	68.84
EVDS24-65-84	81.8	80.84
EVDS24-65-96	93.8	92.84
EVDS24-65-108	105.8	104.84
EVDS24-65-120	117.8	116.84

ASSEMBLY NOTES

Stick lengths 60" to 96" and longer are modular and require two sticks to be connected together. One stick will be pre-configured with modules inserted and with loose modules inserted into the second. Joiners are screwed into two sides to hold the sticks together followed with the tightening of the loose modules with a single screw. The 108" & 120" sticks are comprised of three sticks assembled in the same manner.

The end-cap can be rotated 90° if needed based on the RDC lamp holder orientation.

See installation instructions for further information.