

G23 and G23-2 Lampholders for Twin-Tube Lamps

APPLICATION and PERFORMANCE SPECIFICATION

Description: Lampholders for twin-tube G23 and G23-2 lamps.

- Body: Casing - PBT GF
- Quick connect terminals: 18 AWG Solid and Stranded
- 75W/600V
- UL Temperature Rating T120

Type	Ref. #	Mounting Type	Mounting Options	Drawing	Weight (g)	Packing Unit	
35080	109022	Horz. Flush Mount	Base (#8 Screws) Center (#4 Screw)	A	9	500	Obsolete
35042	101336	Rear Mount	Rear (ST #4 Screws) Center (#4 Screw)	B	12	500	Obsolete
35043	101337	Rear or Front Mount	Front & Rear (ST #4 Screws) Center (#4 Screw)	C	12.5	500	Obsolete
35046	101338	Horz. Flush Mount	Base (#8 Screws) Center (#4 Screw)	D	13	500	Obsolete
35047	101340	Track Push Fit	Lateral (ST #4 of #8 Screws) Center (#4 Screw)	E	14	500	Obsolete
35048	101341	Vert. Base Mount	Rear (3.8mm ϕ /oblong for #4 Screws) Center (#4 Screw)	F	12	500	Obsolete
35050	101342	4-Hole Vert. Base Mount	Cutout (10x20mm) Thickness (0.8-1.3mm)	G	12	500	Obsolete
35051	101344	Horz. Snap In	Cutout (10x20mm) Thickness (0.8-1.3mm)	H	13	500	Obsolete
35052	101346	Front Snap In	Rear (ST #4 Screws) Center (#4 Screw) Ft Clip Thickness (0.8-1.3mm)	I	12	500	Obsolete

*Ensure rotation stop when using the central-mounting hole

Physical Parameters

- Fatigue-free stainless lamp carrier springs
- Please see drawings for dimensions

Performance:

- Meets ANSI Standard C81.62-2009
- Meets IEC Standard 60400
- Lampholders meet IP20 standard

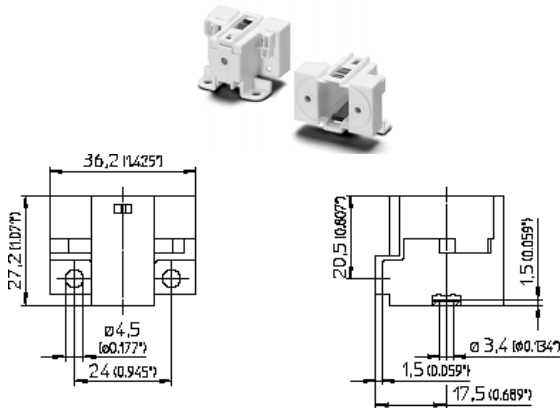
Safety:

- cUL_{US} listed - Indoor Use (E110363)
- VDE/ENEC Approved

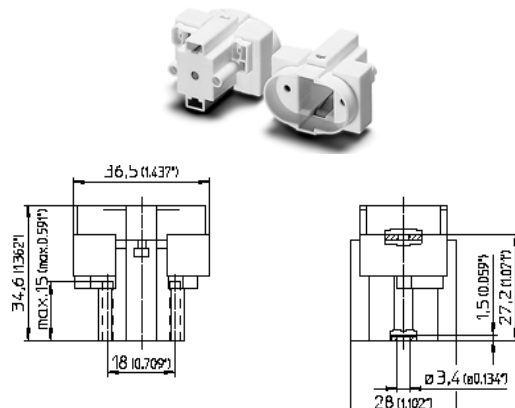


Warranty:

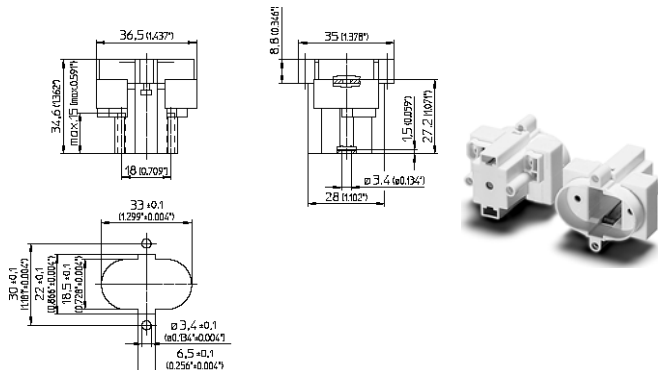
Universal Lighting Technologies warrants to the purchaser that each lampholder will be free from defects in material or workmanship for a period of 3 years from date of manufacture when properly installed and under normal conditions of use. Call **1-800-BALLASTx800** for technical assistance.



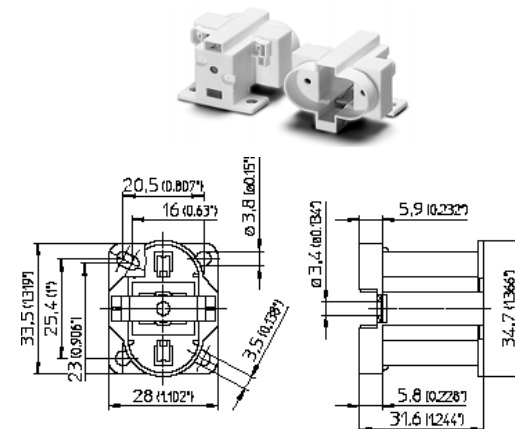
Drawing A



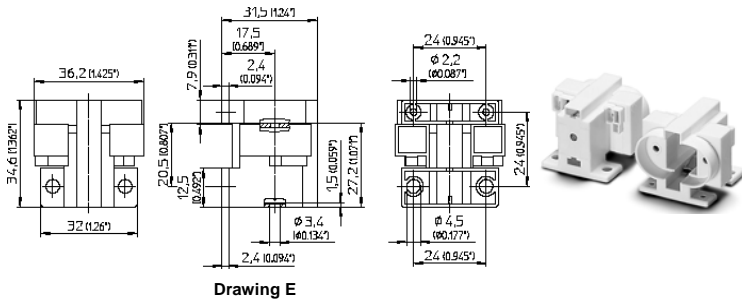
Drawing B



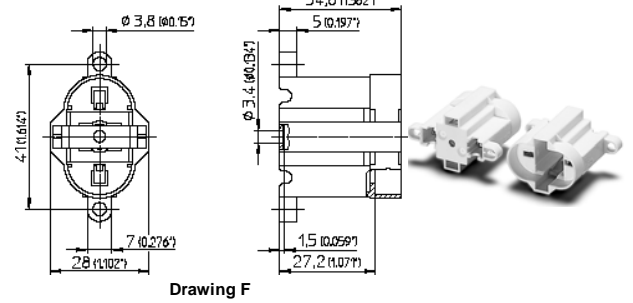
Drawing C



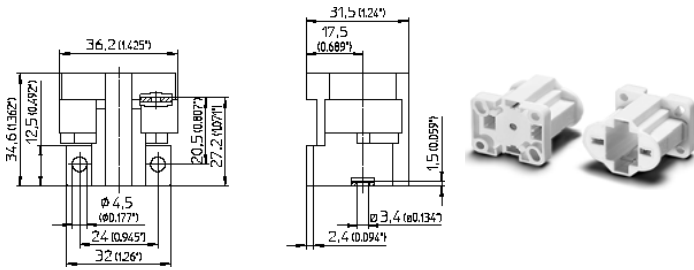
Drawing D



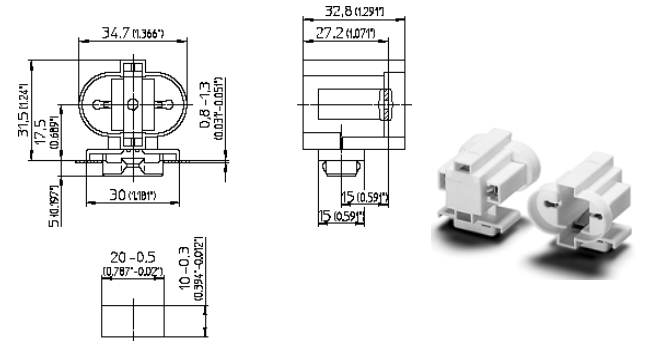
Drawing E



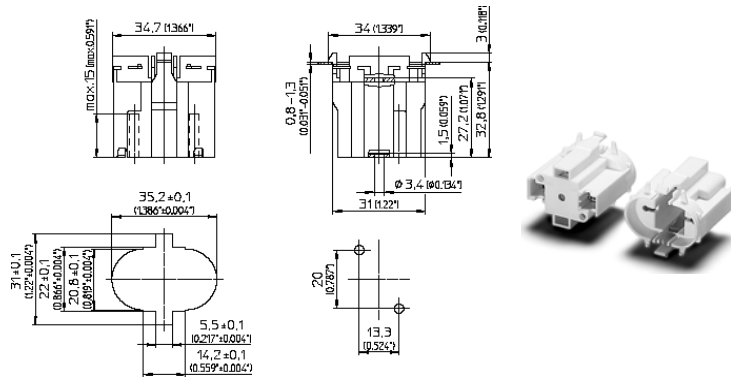
Drawing F



Drawing G



Drawing H



Drawing I