

GR10q Lampholders

APPLICATION and PERFORMANCE SPECIFICATION

Description: GR10q lampholder for single ended compact fluorescent lamps TC-DD

- Body: Casing - White PC
- Quick connect terminals: 18 AWG Solid and Stranded
- 75W/600V
- IEC Temperature Rating T110

Type	Ref. #	Mounting Type	Mounting Dim.	Diagram	Weight (g)	Packing Unit
35500	108927	Snap-In	Clips for wall thickness 0.6-1mm	A	6.1	1000
35510	108928	Snap-In	Split pins for wall thickness 0.6-1mm	B	6.3	1000
35520	108929	Flush Mount	Clips for wall thickness 0.6-1mm	C	7.5	1000
35530	108932	Snap-In	Split pins for wall thickness 0.6-1mm	D	6.1	1000
35540	108933	Snap-In	Split pins for wall thickness 0.6-1mm	E	6.3	1000
35550	108934	Flush Mount	Slots for #4 Screws	F	6.3	1000

Obsolete

Physical Parameters

- Please see drawings for dimensions

Safety:

- cUL_{US} listed - Indoor Use (E110363)
- ENEC Approved

Safety:

- Meets UL 496, CSA C22.2 No. 43
- Meets IEC Standard 60400
- Lampholders meet IP20 standard



Warranty:

Universal Lighting Technologies warrants to the purchaser that each lampholder will be free from defects in material or workmanship for a period of 3 years from date of manufacture when properly installed and under normal conditions of use. Call **1-800-BALLASTx800** for technical assistance.

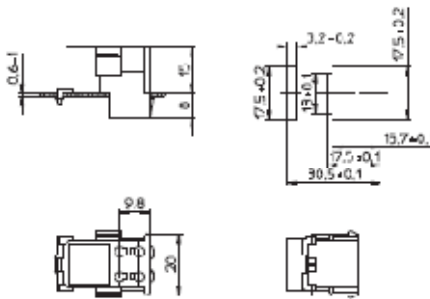


Diagram A

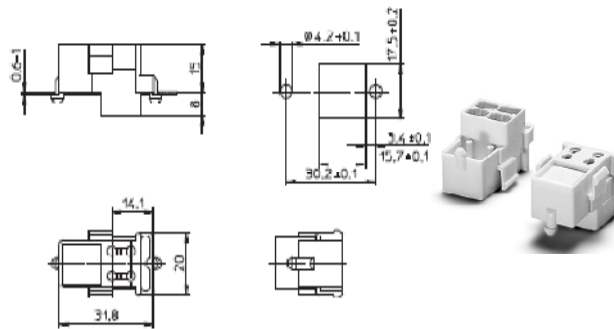


Diagram B

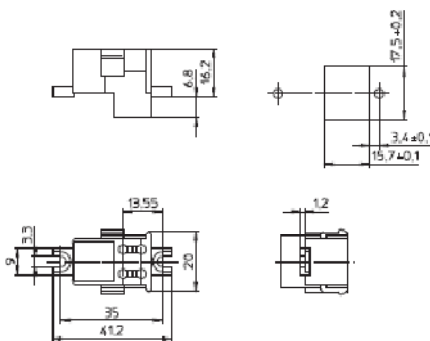


Diagram C

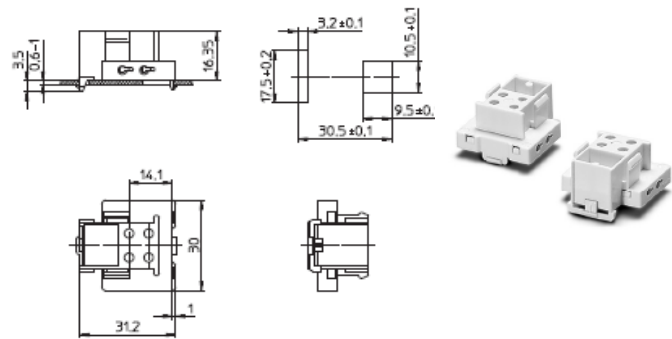


Diagram D

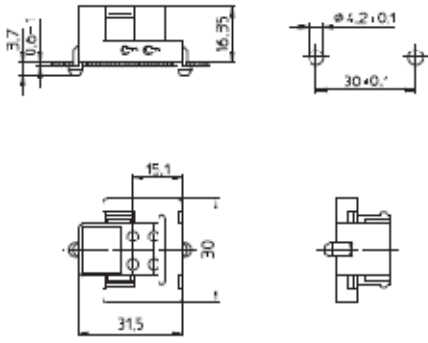


Diagram E

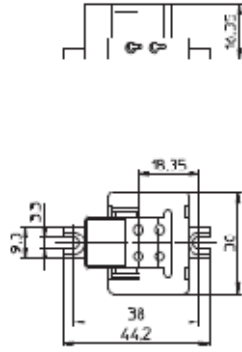
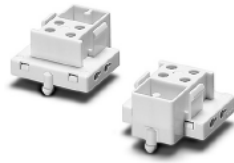


Diagram F

