

GX53 Lampholders

APPLICATION and PERFORMANCE SPECIFICATION

Description: GX53 Lampholders for single ended compact fluorescent lamps with integrated electronic ballast

- Body: Casing - White PC
- Quick connect terminals: 18 AWG Solid and Stranded
- 2A/250V
- IEC Temperature Rating T100

Type	Ref. #	Mounting Type	Mounting Dim.	Weight (g)	Diagram	Packing Unit
11000	530878	Flush-Mount	Front mounting holes for #4 (M3) screws	12.8	A	200
11010	530879	Snap-In	Fixing springs	13.2	B	200

Physical Parameters

- Please see drawings for dimensions

Safety:

- cUL_{US} listed - Indoor Use (E110363)
- ENEC Approved

Safety:

- Meets UL 496, CSA C22.2 No. 43
- Meets IEC Standard 60400
- Lampholders meet IP20 standard



Warranty:

Universal Lighting Technologies warrants to the purchaser that each lampholder will be free from defects in material or workmanship for a period of 3 years from date of manufacture when properly installed and under normal conditions of use. Call **1-800-BALLASTx800** for technical assistance.

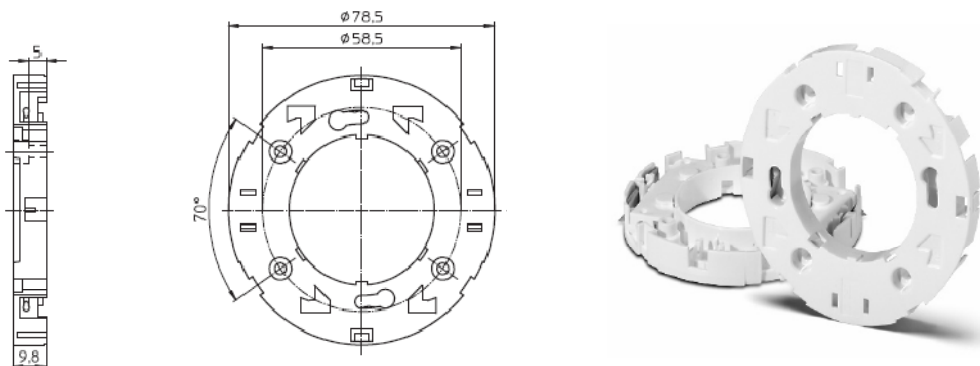


Diagram A

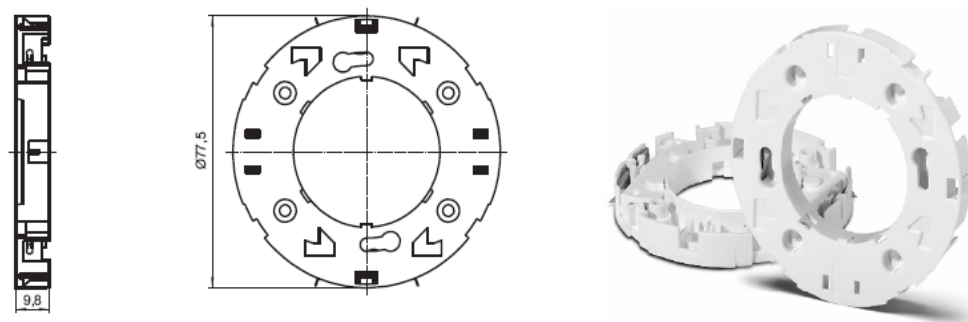


Diagram B