

Obsolete



# 10kA Surge Protectors

## Description: 10kA/10kV surge protector.

- Protects against line surges and transients
- Line-Ground, Line-Neutral, and Neutral-Ground protection
- Surge location rated category C3
- For use with Drivers, Electronic Ballast, and HID products



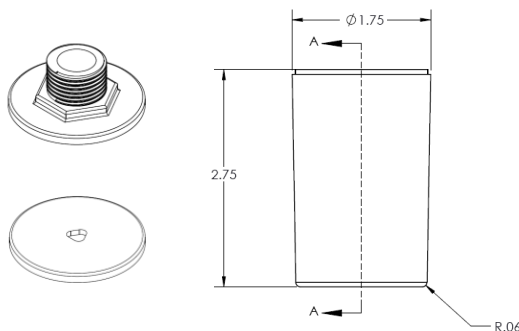
P/N	Line Voltage	Max Voltage	J-Mount	Max Clamping Voltage
SS10-277	277	10kV		840
SS10J-277	277	10kV	X	840
SS10-480	480	10kV		1500
SS10J-480	480	10kV	X	1500

### Features

- Protection for surges according to IEEE C62.41.2 C High (10kV and 10kA)
  - 10kA at industry standard 8/20  $\mu$ S wave.
- High temperature plastic enclosure
  - 85°C max surface temp.
- Thermally protected transient over voltage protection
- RoHS Compliant

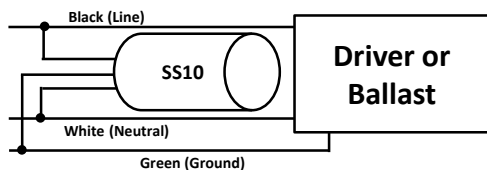
### Mechanical Dimensions

- Diameter: 1.75in/37.3mm
- Height: 2.75in/27.8mm
- Weight: 0.8oz/23g



### Wiring

- 12" stranded leads



### Safety

- CAN/CSA-C22.2 No. 250.13-12
- UL Recognized Component



Pulse Rating (8 x 20 $\mu$ S)	
Strikes	Surge
1	10,000 A
2	6,500 A
10	3,000 A
100	1,500 A
1,000	700 A



Application and operation performance specification information subject to change without notification.