

LED T5 Tube & Driver Retrofit Kit

Bluetooth Control Options



MECHANICAL

- Retrofits 4ft luminaires to LED
- Replaces existing fluorescent lamps and ballasts
- Uses existing lamp holders
- No redesign or revised layout needed

OPTICAL

- 210° Beam distribution for even illumination
- Three CCT options with CRI of 82

KIT INCLUDES

- LED T5 Type C Lamps
- LED Universal Douglas Driver – Pre-Programmed
- Wiring, connectors, installation instructions

BLUETOOTH CONTROL OPTIONS

- BT-LRT Bluetooth Controller
- Controlled with Douglas Lighting Wireless ecosystem

ELECTRICAL

- Universal Input Voltage: 120-277V
- Dimming Driver to 1%

CERTIFICATIONS

- Classified UL 1598C (US & Canada)
- FCC Title 47 CFR, Part 15, Class A
- RoHS Compliant

WARRANTY

- Five (5) year limited warranty
- Select models (identified below) are DesignLights Consortium qualified. Consult www.designlights.org for details

ORDERING GUIDE

EXAMPLE: LR14T5-18L8xx-DU-XCT10C

Series	Lamp & Length	-	Nominal Lumens	CRI	Color Temp.	-	Dimming	Voltage	-	Bluetooth Controller	Pack Code
LR (Std)	14T5 = 1L 4ft T5	-	18L = 1,800	8 = 82 (nom.)	35 = 3500K 40 = 4000K 50 = 5000K	-	D = 0-10V Dimming	U = 120-277V	-	XCT = BT-LRT Bluetooth Controller (Optional)	10C
	24T5 = 2L 4ft T5		36L = 3,600								
	34T5 = 3L 4ft T5		54L = 5,400								
	44T5 = 4L 4ft T5		72L = 7,200								
LR (HO)	14T5H = 1L 4ft T5HO	-	34L = 3,400	8 = 82 (nom.)	35 = 3500K 40 = 4000K 50 = 5000K	-	D = 0-10V Dimming	U = 120-277V	-	XCT = BT-LRT Bluetooth Controller (Optional)	10C
	24T5H = 2L 4ft T5HO		68L = 6,800								
	34T5H = 3L 4ft T5HO		10K = 10,000								

Ordering Notes: Add 10C suffix for Pack Codes, Orders are shipped in bundled quantities of 10 drivers, controllers, and the corresponding number of lamps.

DESIGNLIGHTS CONSORTIUM® QPL LISTED PRODUCTS

T5	Model Number (1-Tube)	Model Number (2-Tube)	Model Number (3-Tube)	Model Number (4-Tube)
0-10V Dimming	LR14T5-18L835-DU	LR24T5-36L835-DU	LR34T5-54L835-DU	LR44T5-72L835-DU
	LR14T5-18L840-DU	LR24T5-36L840-DU	LR34T5-54L840-DU	LR44T5-72L840-DU
	LR14T5-18L850-DU	LR24T5-36L850-DU	LR34T5-54L850-DU	LR44T5-72L850-DU
BT-LRT Controller	LR14T5-18L835-DU-XCT	LR24T5-36L835-DU-XCT	LR34T5-54L835-DU-XCT	LR44T5-72L835-DU-XCT
	LR14T5-18L840-DU-XCT	LR24T5-36L840-DU-XCT	LR34T5-54L840-DU-XCT	LR44T5-72L840-DU-XCT
	LR14T5-18L850-DU-XCT	LR24T5-36L850-DU-XCT	LR34T5-54L850-DU-XCT	LR44T5-72L850-DU-XCT

T5HO	Model Number (1-Tube)	Model Number (2-Tube)	Model Number (3-Tube)
0-10V Dimming	LR14T5H-34L835-DU	LR24T5H-68L835-DU	LR34T5H-10K835-DU
	LR14T5H-34L840-DU	LR24T5H-68L840-DU	LR34T5H-10K840-DU
	LR14T5H-34L850-DU	LR24T5H-68L850-DU	LR34T5H-10K850-DU
BT-LRT Controller	LR14T5H-34L835-DU-XCT	LR24T5H-68L835-DU-XCT	LR34T5H-10K835-DU-XCT
	LR14T5H-34L840-DU-XCT	LR24T5H-68L840-DU-XCT	LR34T5H-10K840-DU-XCT
	LR14T5H-34L850-DU-XCT	LR24T5H-68L850-DU-XCT	LR34T5H-10K850-DU-XCT



PERFORMANCE DATA:

Model Family	Input Power	Input Current		System Output	
		@120V	@277V	Nominal Lm	LPW
LR14T5-18L8xx-DU(&-XCT)	14	0.12	0.05	1900	136
LR24T5-36L8xx-DU(&-XCT)	25	0.21	0.10	3700	148
LR34T5-54L8xx-DU(&-XCT)	44	0.37	0.17	5400	123
LR44T5-72L8xx-DU(&-XCT)	59	0.50	0.23	7200	122

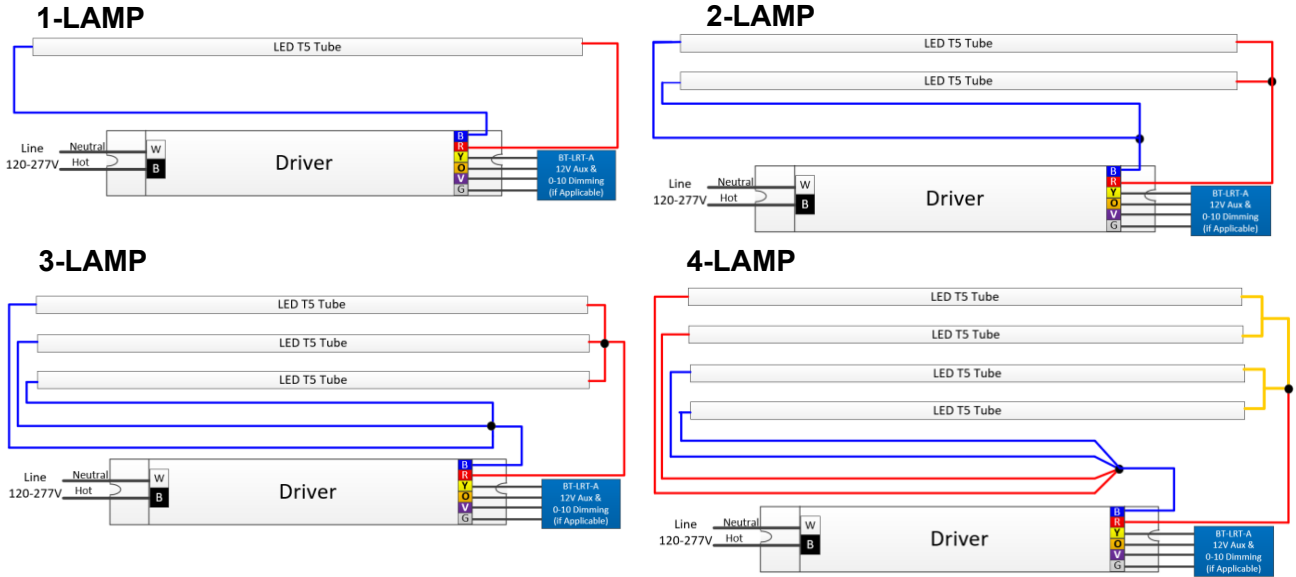
LR14T5H-34L8xx-DU(&-XCT)	25	0.21	0.10	3300	132
LR24T5H-68L8xx-DU(&-XCT)	49	0.42	0.19	6800	139
LR34T5H-10K8xx-DU(&-XCT)	72	0.61	0.28	11000	153

OPERATING DATA	
L70 Lumen Maintenance:	>60,000 hrs at 40°C
Min. Starting Temp.:	-18°C (0°F)
Sound Rating:	Class A
Power Factor:	>.98
THD	<20%

APPLICATION NOTES

- All LED Tubes must be connected for proper operation.
- Not for use with phase cut dimmers.
- Suitable for 2'x2' with minimum 3" depth, may include a lens, and may be listed for elevated ambient temperatures of up to 40°C max in Type Non-IC or up to 25°C max in Type IC.

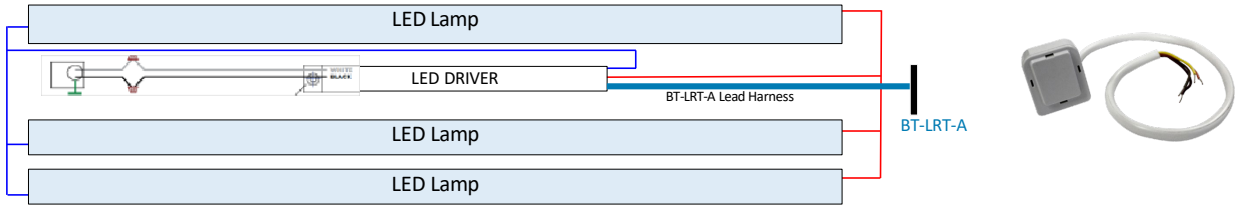
CONNECTION DIAGRAMS:



BT-LRT CONTROLLER INSTALLATION

The controller has a magnet which allows for it to be mounted to the metal tray or panel of the luminaire. The BT-LRT-B should not be mounted within the ballast channel where it is completely enclosed in metal. The leads of the BT-LRT-B are to be connected to the driver as shown in the wiring diagrams.

For installation outside of the wiring channel of the fixture the leads should be routed away from the input power leads and not come in contact with the power leads. Leads should exit the end of the channel and the sensor and be placed between lamps.



REPLACEMENT COMPONENTS

T5 LED Driver			
Lm Package	0-10V Dimming	w/ BT-LRT Controller	Programmed Output
LR14T5-18L	D700C20UNVPW-C	D70C20UNVPWX12-C	260mA
LR24T5-36L	D10CC30UNVPW-C	D10CC30UNVPWX12-C	520mA
LR34T5-54L	D15CC55UNVPW-C	D15CC55UNVPWX12-C	780mA
LR44T5-72L	D15CC55UNVPW-C	D15CC55UNVPWX12-C	1040mA

T5 LED Tube	
CCT	LED T8 Tube
3500K	LR2FT8M12L/835A
4000K	LR2FT8M12L/840A
5000K	LR2FT8M12L/850A

T5HO LED Driver			
Lm Package	0-10V Dimming	w/ BT-LRT Controller	Programmed Output
LR14T5H-34L	D10CC30UNVPW-C	D10CC30UNVPWX12-C	480mA
LR24T5H-68L	D15CC55UNVPW-C	D15CC55UNVPWX12-C	960mA
LR34T5H-10K	D21CC80UNVPW-C	D21CC80UNVPWX12-D	1440mA

T5HO LED Tube	
CCT	LED T8 Tube
3500K	LR4FT5M32L/835A
4000K	LR4FT5M32L/840A
5000K	LR4FT5M32L/850A