

WP-PP20-2P-D - 2-Pole Power Pack, 120_277VAC



Project Name: _____
Part Numbers: _____ Date: _____

Features

- 120/277VAC
- 2-pole
- For use with:
 - Diversa sensors
 - 8700 Series switches

The WP-PP20-2P-D Power Packs work in conjunction with the Diversa Low Voltage Sensors by providing power to the sensors and receiving on/off commands from the sensor. It will open or close the relay based on commands from a Diversa Low Voltage sensor or Douglas Lighting Controls 8700 series wall station switch.

Output Contact Load Rating

Voltage	Contact Rating			
	General	Tungsten	Standard Ballast	Electronic Ballast
120V	20A	20A	20A	16A
277V	20A	20A	20A	16A

PART NUMBER	DESCRIPTION
WP-PP20-2P-D	2-Pole Power Pack, 120/277VAC

Typical Application: All Power Packs provide a 24 VAC secondary source for use with the Low Voltage Diversa Sensors and other Diode Pulse devices. All switches or sensors required to be supported by the PowerPack must be included in the loading calculation

Maximum Quantity of Linked Sensors

Type	Max # of Linked Sensors
Standard	8
With Aux Relay	5

Typical Low Voltage Loads (110mA max)

Device	Part#	Current (mA)
Ceiling Mounted Sensor	WOR/WVR	11mA Standard 21mA w/ Aux Relay
Wall Switch Sensor	WOS/WVS	
Corner Mount Sensor	WOW/WVV	
Diode Pulse Switch	WSR & WRD 8700 Series	4mA

WP-PP20-2P-D - 2-Pole Power Pack, 120_277VAC

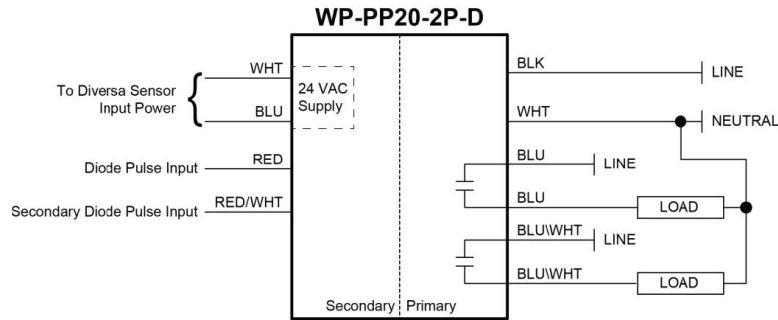
Wiring Instructions

Terminating wire shall be a minimum of #22 AWG for control power connections and shall be suitably sized to handle the load ratings below.

CAUTION

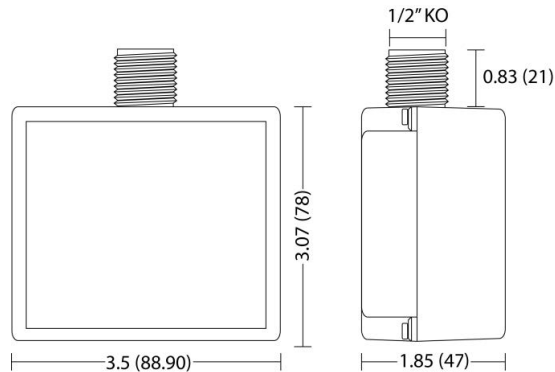
TURN POWER OFF AT THE CIRCUIT BREAKER BEFORE WORKING WITH OR NEAR HIGH VOLTAGE

The power packs are equipped with #14 AWG stranded leads. Use appropriate sized wire-nuts to connect the wires to the incoming load terminations. For installation with field-installed conductors of 60°C minimum rating.



Dimensions

Inches [mm]



The power pack shall be mounted inside an electrical junction box or panel using the 1/2" threaded chase nipple.

Technical Details

VOLTAGE	<ul style="list-style-type: none"> 120/277VAC 60Hz 2 Independent Poles See Table for contact ratings Use #14 AWG Wire
INPUTS	<ul style="list-style-type: none"> Diode Pulse #22AWG wire
POWER	<ul style="list-style-type: none"> 24VAC, 110mA #22AWG wire
APPROVALS	<ul style="list-style-type: none"> Certified to CAN/CSA Std. C22.2 No. 14 & No. 233 Conforms to UL 508 & 1310 Standard Plenum Rated UL 2043 Meets CEC Title 24 requirements Meets ASHRAE 90.1 requirements
ENVIRONMENT	<ul style="list-style-type: none"> Indoors, stationary, non-vibrating, non-corrosive atmosphere and non-condensing humidity Ambient Operating Temperature: 32°F to 104°F (0°C to 40°C) Storage Temperature: -14°F to 104°F (-25°C to 40°C)
WARRANTY	<ul style="list-style-type: none"> Standard 5-years