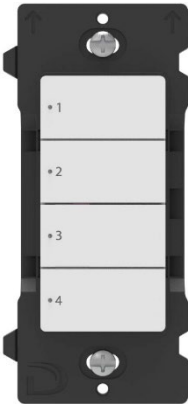


Battery Powered Bluetooth Switches (BT-4BTBW-B-A)



Project Name: _____
 Part Numbers: _____ Date: _____

Features

- Bluetooth wireless technology
- 4-button Switch
- Field commission via Smartphone App
- Powered by 2x AA alkaline batteries
- 10 Year Battery Life
- Ideal for office & classroom environments



ASHRAE 90.1 Compliant

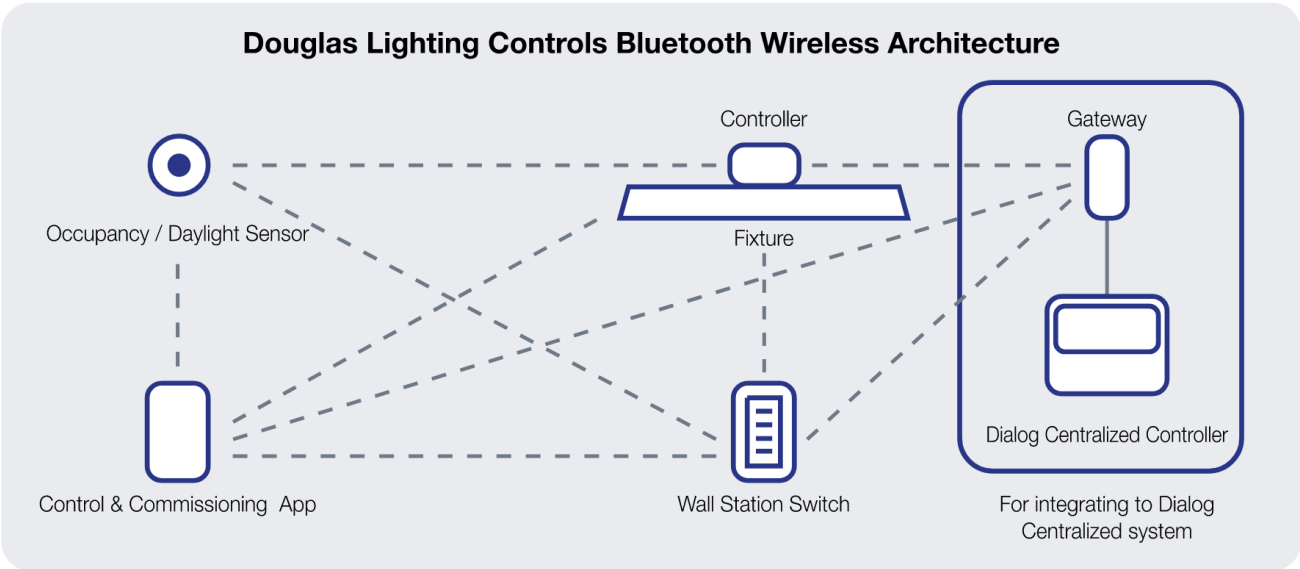
The Douglas Lighting Controls® Battery Powered Bluetooth Switches offer users fingertips control over lights in defined spaces. Each switch is a Bluetooth enabled device that communicates wirelessly with other Bluetooth devices within the Douglas Lighting Controls eco-system.

The battery powered switches are available in 4-button (1-4, Scenes, High/Med/Low), and 8-button layouts, the switches are battery powered by 2x AA batteries to ensure 10 years of reliable functionality. Switches are field commissioned via an iOS App; Search for “Douglas Lighting Controls BTCC” on the Apple App Store.

The BT-4BTBW-B-A is laser-etched for generic use. Each button can be programmed to either ON, OFF, or a customizable Scene (pre-defined as High, Med, Low, and OFF) with the Douglas Lighting Controls BTCC App.

Typical Applications: Controlling wireless fixtures for ON/OFF or Dimming Preset Controls. For full range dimming, please see our powered line of switches.

PART NUMBER	DESCRIPTION
BT-4BTBW-B-A	Bluetooth enabled 4-button wall switch – Battery Powered



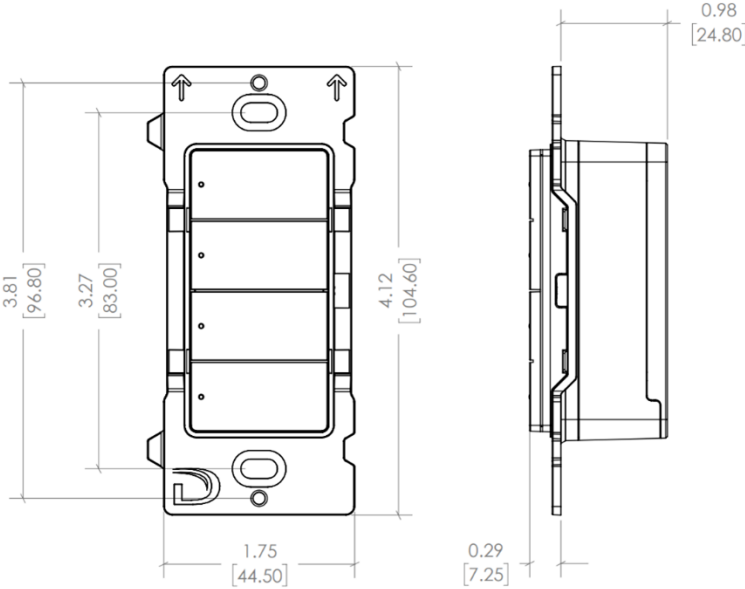
*Patent Pending

Rev 4/11/2022

Douglas Lighting Controls

Dimensions

Inches [mm]



FUNCTIONALITY	<ul style="list-style-type: none"> 4-button Bluetooth enabled wall switch station Programmed via iOS devices (iOS 10 and above) Download “Douglas Lighting Controls BTCC” from the Apple App store to configure
INPUT VOLTAGE	<ul style="list-style-type: none"> 2x AA Batteries – Alkaline
RANGE	<ul style="list-style-type: none"> 30’ clear line of sight to first powered device. 20’ through standard walls Distances may vary based on location, environment, and materials. Additional devices may be required at the time of commissioning to ensure Bluetooth network integrity. Recommended to be installed in a plastic gang box to achieve better performance.
APPROVALS	<ul style="list-style-type: none"> FCC Class A ASHRAE 90.1 2019 Compliant California Energy Commission Title 24 & NYLL 48 Compliant Contains IC: 8254A-B1010SP0 Contains FCC ID: W7Z-B1010SP0
ENVIRONMENT	<ul style="list-style-type: none"> Indoor, stationary, non-vibrating, non-corrosive atmosphere and non-condensing humidity Operating temperature: 32°F to 104°F (0°C to 40°C) Storage temperature: 14° to 140°F (-25° to 60°C)
WARRANTY	<ul style="list-style-type: none"> Standard 5-years

*Patent Pending

Rev 4/11/2022

Douglas Lighting Controls