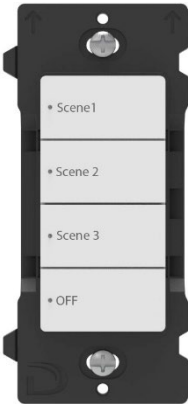


Battery Powered Bluetooth Switches (BT-4SCNE-B-A)



Project Name: \_\_\_\_\_  
 Part Numbers: \_\_\_\_\_ Date: \_\_\_\_\_

**Features**

- Bluetooth wireless technology
- 4-button Wall Station (1-2-3, OFF)
- Field commission via Smartphone App
- Powered by 2x AA alkaline batteries
- 10 Year Battery Life
- Ideal for office & classroom environments



ASHRAE 90.1 Compliant

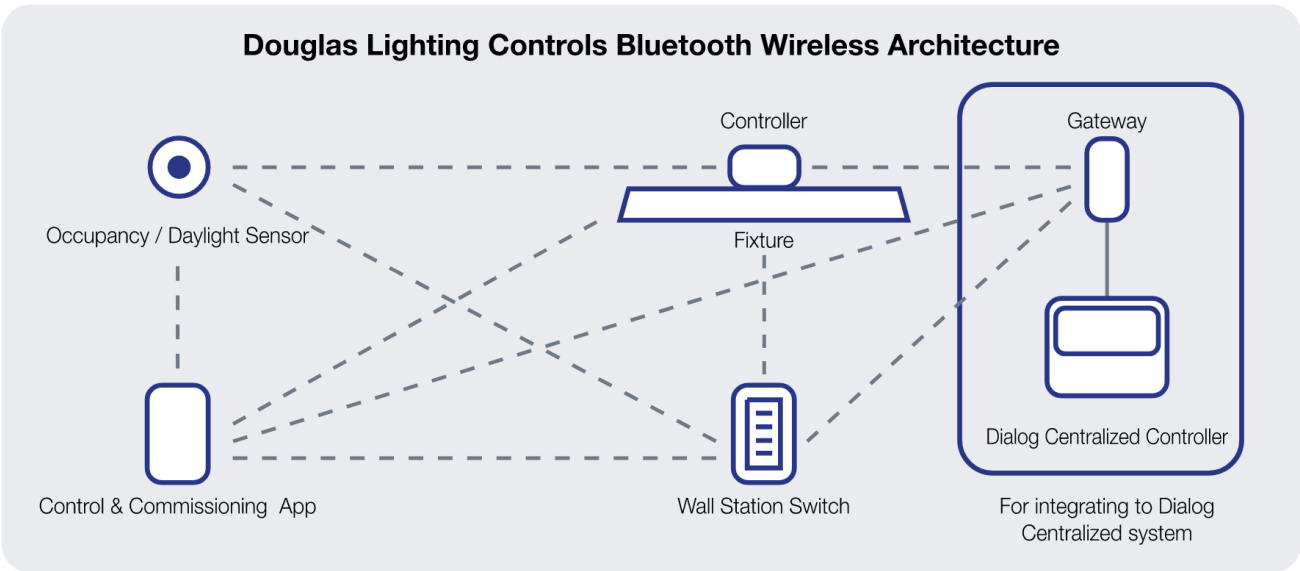
The Douglas Lighting Controls® Battery Powered Bluetooth Switches offer users fingertips control over lights in defined spaces. Each switch is a Bluetooth enabled device that communicates wirelessly with other Bluetooth devices within the Douglas Lighting Controls eco-system.

The battery powered switches are available in 4-button (1-4, Scenes, High/Med/Low), and 8-button layouts, the switches are battery powered by 2x AA batteries to ensure 10 years of reliable functionality. Switches are field commissioned via an iOS App; Search for “Douglas Lighting Controls BTCC” on the Apple App Store.

The BT-4SCNE-B-A is preprogrammed and laser-etched for Scene 1 (High), Scene 2 (Med), Scene 3 (Low) and OFF, these scenes are fully customizable to serve the rooms needs based on fixture types and user preferences. In addition, each button can be re-programmed to either ON, OFF, or a customizable Scene with the Douglas Lighting Controls BTCC App.

**Typical Applications:** Controlling wireless fixtures for Dimming Preset Controls. For full range dimming, please see our powered line of switches.

PART NUMBER	DESCRIPTION
BT-4SCNE-B-A	Bluetooth enabled 4-scene (1-2-3 plus OFF) wall switch - Battery Powered



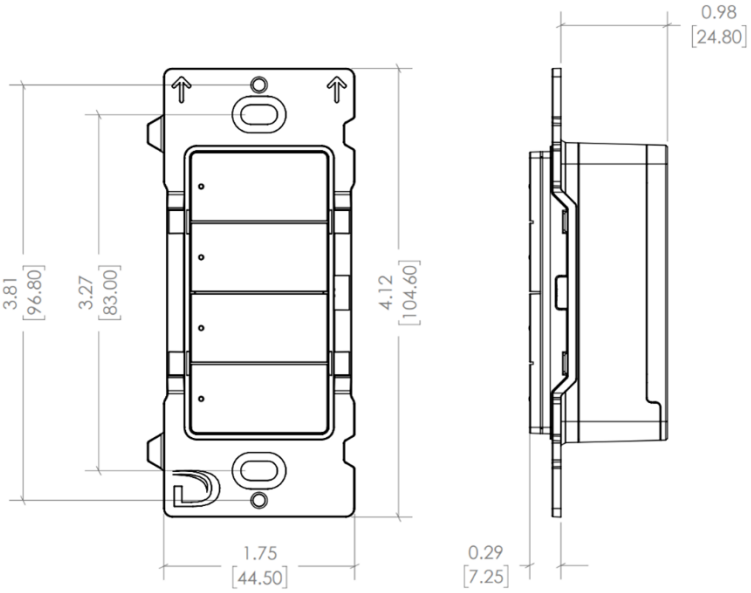
\*Patent Pending

Rev 4/11/2022

Douglas Lighting Controls

**Dimensions**

Inches [mm]



<b>FUNCTIONALITY</b>	<ul style="list-style-type: none"> <li>4 Scene Bluetooth enabled wall switch station (1-2-3 plus OFF)</li> <li>Programmed via iOS devices (iOS 10 and above)</li> <li>Download "Douglas Lighting Controls BTCC" from the Apple App store to configure</li> </ul>
<b>INPUT VOLTAGE</b>	<ul style="list-style-type: none"> <li>2x AA Batteries – Alkaline</li> </ul>
<b>RANGE</b>	<ul style="list-style-type: none"> <li>30' clear line of sight to first powered device.</li> <li>20' through standard walls</li> <li>Distances may vary based on location, environment, and materials. Additional devices may be required at the time of commissioning to ensure Bluetooth network integrity.</li> <li>Recommended to be installed in a plastic gang box to achieve better performance.</li> </ul>
<b>APPROVALS</b>	<ul style="list-style-type: none"> <li>FCC Class A</li> <li>ASHRAE 90.1 2019 Compliant</li> <li>California Energy Commission Title 24 &amp; NYLL 48 Compliant</li> <li>Contains IC: 8254A-B1010SP0</li> <li>Contains FCC ID: W7Z-B1010SP0</li> </ul>
<b>ENVIRONMENT</b>	<ul style="list-style-type: none"> <li>Indoor, stationary, non-vibrating, non-corrosive atmosphere and non-condensing humidity</li> <li>Operating temperature: 32°F to 104°F (0°C to 40°C)</li> <li>Storage temperature: 14° to 140°F (-25° to 60°C)</li> </ul>
<b>WARRANTY</b>	<ul style="list-style-type: none"> <li>Standard 5-years</li> </ul>

\*Patent Pending

Rev 4/11/2022

Douglas Lighting Controls