

# BT-IFS-A - Dialog Wireless Intelligent Fixture Sensor

Project Name: _____
Part Numbers: _____ Date: _____

## Features

- Two 0-10V channels for standard and 2-channel tunable white fixtures
- Controls standard and DIM-to-OFF AUX power LED Drivers
- Occupancy and daylight sensors
- Standard form factor fits ½ inch electrical knockout
- Bluetooth wireless network
- Bluetooth beacons for digital ceiling, IoT, and location services strategies
- UL924 for BT-IFC-A
- Passive Infrared (PIR) Motion Sensor

ASHRAE 90.1 2016 Compliant  
WSEC Compliant

The Douglas Bluetooth® Intelligent Fixture™ Sensors enable networking of luminaires in the Douglas Bluetooth wireless lighting control ecosystem.

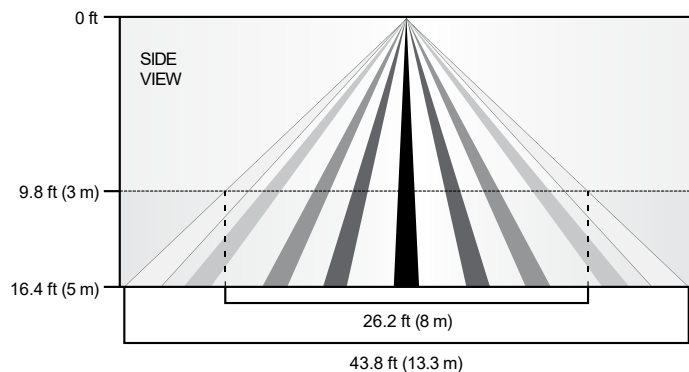
The Douglas Bluetooth system is ASHRE 90.1 2016, Title 24, and WSEC compliant. It can provide all the necessary control schemes for Occupancy (Occupancy, Vacancy, Partial ON, Partial OFF), Primary & Secondary Daylight Harvesting, and Demand Response.

Two 0-10V dimming channels are included and may be used with two-channel LED drivers for tunable white control. Bluetooth beacons are also included for use in Digital Ceiling, IoT and Location Services applications.

**Typical Applications:** These Intelligent Fixture™ Sensors install directly into industry standard ½ inch electrical knockouts and are intended for use with 0-10V LED drivers providing auxiliary power and DIM-to-OFF capability - like the Universal Lighting Technologies PWX series.

PART NUMBER	DESCRIPTION	ORDER NUMBER	QTY/CARTON
BT-IFS-A	Bluetooth® Intelligent Fixture™ Sensor	BT-IFS-A010C	10

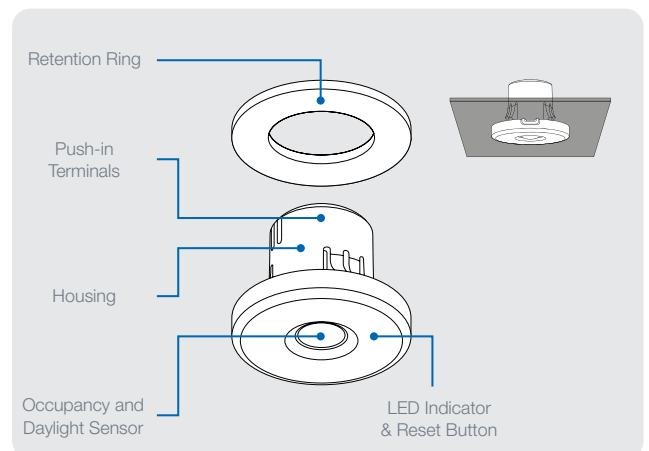
## Occupancy Sensor Coverage



### Coverage Area

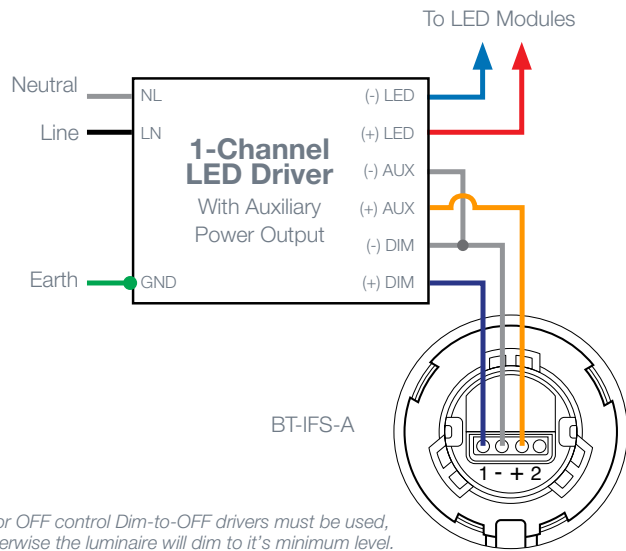
Mounted at 9.8ft = 529 sqft  
Mounted at 16.4ft = 1506 sqft

## Mounting

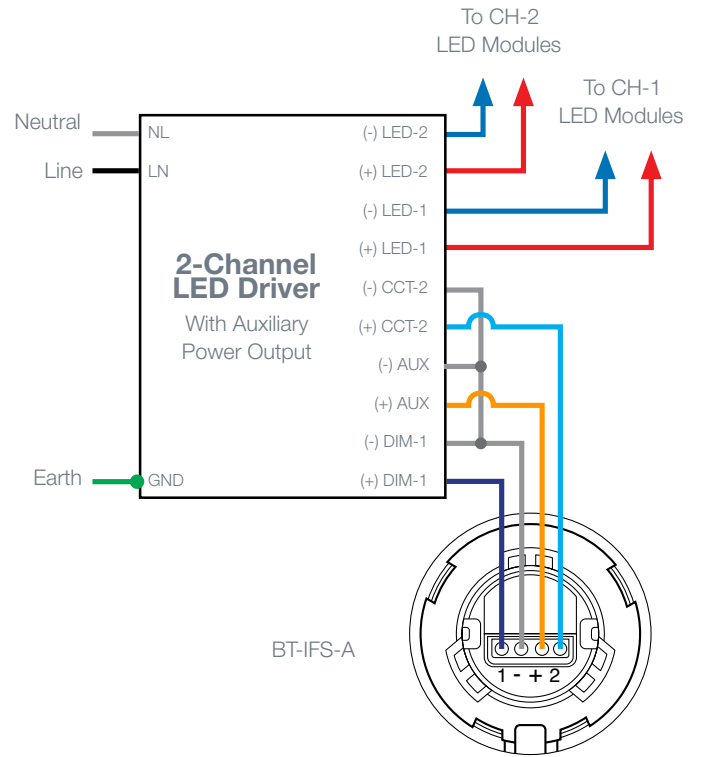


# BT-IFS-A - Dialog Wireless Intelligent Fixture Sensor

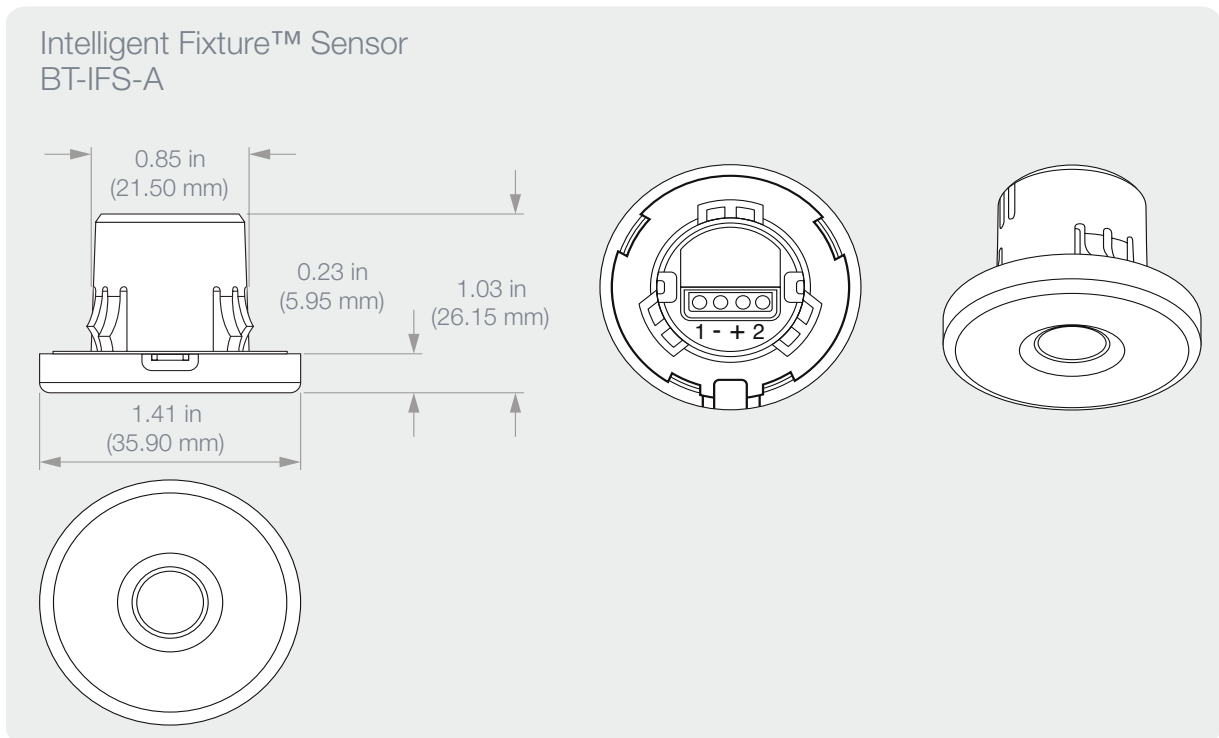
## Technical



\*For OFF control Dim-to-OFF drivers must be used, otherwise the luminaire will dim to it's minimum level.



## Dimensions



## Technical Details

<b>FUNCTIONALITY</b>	<ul style="list-style-type: none"> <li>• 0-10V Dimming with DIM-to-OFF (LED Driver dependent)</li> <li>• Occupancy, Vacancy, Partial ON, &amp; Partial OFF</li> <li>• Adjustable Occupancy Timeout: 5 to 90 minutes</li> <li>• Primary &amp; Secondary Daylight Harvesting (CLC)</li> <li>• Bluetooth beacon for digital ceiling, IoT, and location services strategies</li> <li>• Commissioning via BTCC App on the iTunes Store</li> <li>• PIR Motion Sensing</li> </ul>
<b>OCC. SENSOR MOUNTING HEIGHT</b>	<ul style="list-style-type: none"> <li>• Up to 16.4ft (5m)</li> </ul>
<b>WIRING</b>	<ul style="list-style-type: none"> <li>• Use #20 to #26 AWG solid copper conductors stripped to 4mm</li> </ul>
<b>INPUT VOLTAGE</b>	<ul style="list-style-type: none"> <li>• 12VDC – 26.5VDC; Power draw: 0.6W maximum, 0.25W typical</li> </ul>
<b>WIRELESS RANGE</b>	<ul style="list-style-type: none"> <li>• 150ft Clear line of sight, 50ft through standard walls</li> <li>• Distances may vary based on location and environment</li> <li>• Additional devices may be required at time of commissioning to ensure Bluetooth network integrity</li> </ul>
<b>NOTIFICATIONS</b>	<ul style="list-style-type: none"> <li>• LED indicator for commissioning and occupancy (IFS)</li> </ul>
<b>DIMMING</b>	<ul style="list-style-type: none"> <li>• Two 0-10V dimming channels, each capable of sinking up to 25Ma</li> <li>• Typical use is with single channel 0-10V LED drivers providing auxiliary output power and DIM-to-OFF capability</li> <li>• May also be used with dual-channel, tunable white LED drivers providing auxiliary output power and DIM-to-OFF capability</li> </ul>
<b>APPROVALS</b>	<ul style="list-style-type: none"> <li>• UL916, UL2043 (Plenum)</li> <li>• May be installed through a knockout in the luminaire wiring enclosure or installed external to the enclosure and powered with a Class 2 circuit using Class 2 wiring methods</li> </ul>
<b>ENVIRONMENT</b>	<ul style="list-style-type: none"> <li>• Indoor, stationary, non-vibrating, non-corrosive atmosphere, and non-condensing humidity</li> <li>• Suitable for Use in Other Environmental Air Space (Plenums) in Accordance with Section 300.22, (C) of the National Electrical Code.</li> <li>• Operating temperature: 32°F to 131°F (0°C to 55°C)</li> <li>• Storage temperature: -4°F to 158°F (-20°C to 70°C)</li> </ul>
<b>WARRANTY</b>	<ul style="list-style-type: none"> <li>• Standard 5-years</li> </ul>