

BT-LRT-X - Dialog Wireless Retrofit Fixture Controller

Project Name: _____
 Part Numbers: _____ Date: _____



Features

- Controls standard and DIM-to-OFF AUX power LED Drivers
- Bluetooth wireless network
- Bluetooth beacons for digital ceiling, IoT, and location services strategies
- UL924 Certified



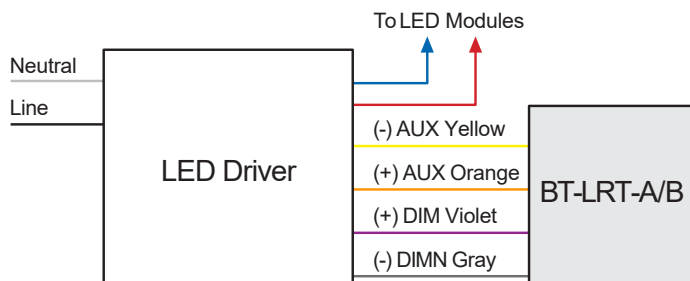
ASHRAE 90.1 Compliant
 WSEC Compliant

The Douglas Bluetooth® Retrofit Fixture Controller enables networking of luminaires in the Douglas Bluetooth wireless lighting control ecosystem, which includes wall switches, sensors and load controllers. The Douglas Bluetooth system is ASHRE 90.1 2016, Title 24, and WSEC compliant. In conjunction with the Douglas BT ecosystem, it can provide all the necessary control schemes for Demand Response, Occupancy (Occupancy, Vacancy, Partial ON, Partial OFF), Primary & Secondary Daylight Harvesting.

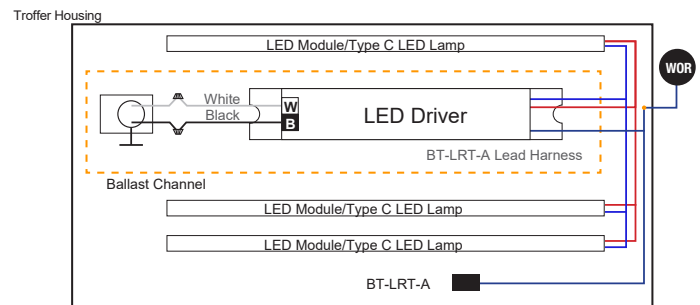
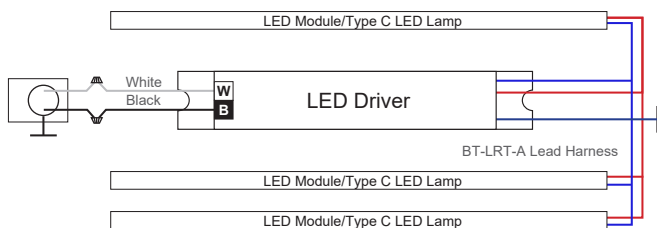
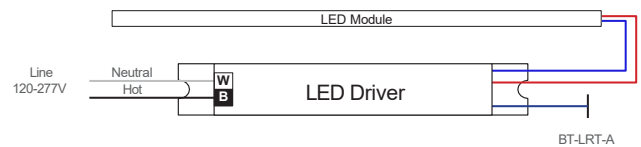
Typical Applications: The Retrofit Fixture Controller installs directly onto the metal pan of the fixture with its magnet base. It is intended for use with 0-10V LED drivers providing auxiliary power and DIM-to-OFF capability - like the Universal Lighting Technologies PWX series.

PART NUMBER	DESCRIPTION	ORDER NUMBER	QTY/CARTON
BT-LRT-A	Bluetooth Retrofit Fixture Controller 16"	BT-LRT-A10C	10
BT-LRT-B	Bluetooth Retrofit Fixture Controller 36"	BT-LRT-B10C	10

Wiring Diagram



- Leads are internally connected to the BT-LRT-A
- Leads plug into the LED Driver

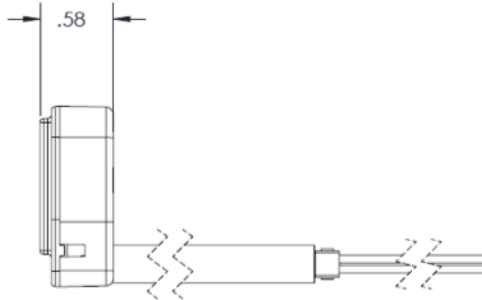
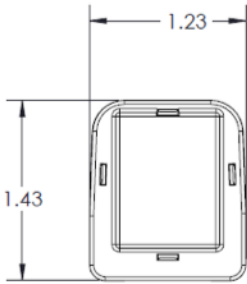


BT-WOR Harness is connected in parallel to the BT-LRT Harness to the PW12 Aux power. It exits the fixture through a knockout and is mounted into an adjacent ceiling panel. This would be field wired and not part of the ULT type C kit with controller.

BT-LRT-X - Dialog Wireless Retrofit Fixture Controller

Dimensions

Inches [mm]



Mounting



Magnet integral to base

Technical Details

PART NUMBER	<ul style="list-style-type: none"> BT-LRT-A 	<ul style="list-style-type: none"> BT-LRT-B
FUNCTIONALITY	<ul style="list-style-type: none"> 0-10V Dimming with DIM-to-OFF (LED Driver dependent) Occupancy and daylighting control features when networked with one or more BT-WOR, BT-IFS, or BT-FMS sensors Bluetooth beacon for digital ceiling, IoT, and location services strategies Download Douglas Lighting Controls BTCC APP from the Apple App store for commissioning UL924 certified devices for Emergency Fixtures 	
WIRING	<ul style="list-style-type: none"> 18AWG 16" Harness 	<ul style="list-style-type: none"> 18AWG 36" Harness
INPUT VOLTAGE	<ul style="list-style-type: none"> 12VDC; Power Draw: 0.25W 	
WIRELESS RANGE	<ul style="list-style-type: none"> 150ft Clear line of sight, 50ft through standard walls Distances may vary based on location and environment Additional devices may be required at time of commissioning to ensure Bluetooth network integrity 	
NOTIFICATIONS	<ul style="list-style-type: none"> LED indicator for commissioning Flashes fixture to confirm device selection for commissioning 	
APPROVALS	<ul style="list-style-type: none"> UL924 (Emergency Lighting) UL916 Must be installed outside the luminaire's metallic wiring enclosure and powered with a Class 2 circuit using Class 2 wiring methods 	
DIMMING	<ul style="list-style-type: none"> 0-10V dimming, capable of sinking up to 25mA Typical use is with single channel 0-10V LED drivers providing auxiliary output power and DIM-to-OFF capability 	
MOUNTING	<ul style="list-style-type: none"> Integral base magnet, no fasteners required 	
ENVIRONMENT	<ul style="list-style-type: none"> Indoor, stationary, non-vibrating, non-corrosive atmosphere, and non-condensing humidity Operating temperature: 32°F to 131°F (0°C to 55°C) Storage temperature: -40°F to 140°F (-40°C to 60°C) 	
WARRANTY	<ul style="list-style-type: none"> Standard 5-years 	