

DLS-24500-277 - Forward Phase Dimmer (2x 4500W @ 277)



Project Name: _____
 Part Numbers: _____ Date: _____

Features

- Designed for Architectural dimming from standard 0-10V wall dimmers or controllers
- Use with Dialog WDB-3314 & Room Controllers
- Heavy-Duty Outputs, Dims 2 x 16 AMP loads (2 dimmers x 4500W @277VAC)
- Active DC component protection for inductive loads
- Suitable for inductive Loads at Full Rating
- All Dimmer outputs must be fed from the same circuit (See Figure 1)
- 0-10V analog lighting controllers compatible



Typical Applications: Surface mount the dimmer pack in a well-ventilated area where the ambient temperature does not exceed 104° F for full load operation. Allow 2" of side clearance for proper air circulation and servicing. Installation clearance shall meet local and/or NEC code requirements. Enclosures may be attached to the wall or other mounting surface by holes in the heat sink flanges. Refer to the drawings below (FIGURE 3) for the correct dimensions. Conduit shall be pulled to the top of the dimmer packs.

PART NUMBER	DESCRIPTION
DLS-24500-277	<ul style="list-style-type: none"> • 2 channel x 4500 W Dimmer or switch pack • Dimmer or switch selection with adjustable Switch level • Universal dimmers for LED, Fluorescent, Low-Voltage Transformers • 277VAC • Suitable for dimming Triac dimmable LED & CFL Bulbs

Figure 1 - DLS-24500 LDM Detail

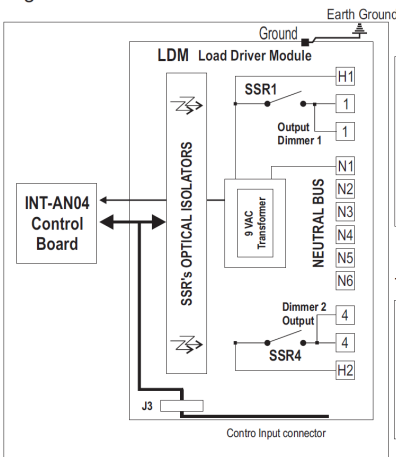


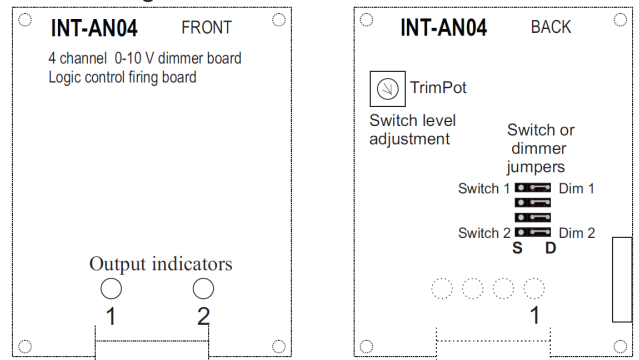
Table 1 - Terminals Definition

NAME	DESCRIPTION
1	Output Of Solid-State Relay #1
4	Output Of Solid-State Relay #4
H1	Hot Line Feed For Relay 1.
H2	Hot Line Feed For Relay 4.
N1-N6	Neutral Bus Connections.

Table 2 - Absolute Maximum Electrical Ratings

Electrical Characteristic	Terminal	Maximum
Relay Load Current	1 & 4	16 Amps.
Input Current For Relay 1	H1	20 Amps.
Input Current For Relay 4	H2	20 Amps.
Input Voltage	H1-H2	220 to 277 VAC, 1-Phase.

Figure 2 - INT-AN04 control board



Each channel of the PD216-AN10-277 could be set to dim or switch.
 4 Jumpers, 1 for each channel, are located on the back of the front cover.
 Place jumper on D side for normal 0-10V dimmer operation, place jumper on S side for switch operation.
 Switching control Voltage level could be set from 0 to 10 V with the TrimPot.

DLS-24500-277 - Forward Phase Dimmer (2x 4500W @ 277)

Dimensions

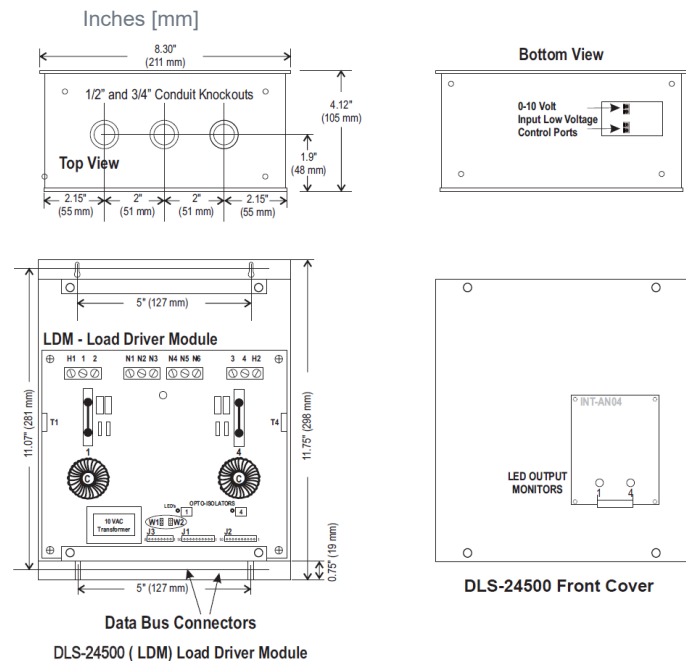
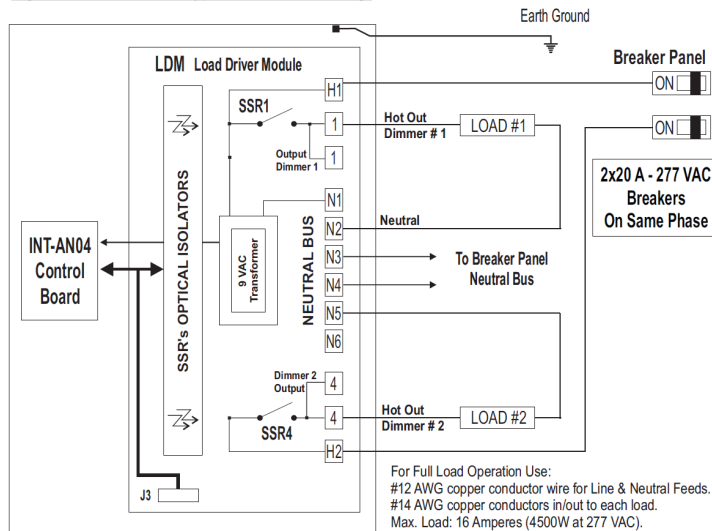


Figure 3 - DLS-24500 Dimensional Diagram

Figure 5 - DLS-24500 Typical 277 VAC Wiring.



Technical Details

FUNCTIONALITY	<ul style="list-style-type: none"> 2 channels of Forward-Phase Dimming
INPUT VOLTAGE	<ul style="list-style-type: none"> 277 VAC
OUTPUT	<ul style="list-style-type: none"> 2x 2000 W @ 277VAC
APPROVALS	<ul style="list-style-type: none"> Conforms to UL 96 Standard
ENVIRONMENT	<ul style="list-style-type: none"> Compact Size, 11.75" H x 8.30" W x 4.12"D Wall-Mount aluminum enclosure Up to 104°F Operating Temperature
WARRANTY	<ul style="list-style-type: none"> Standard 5-years

*Patent Pending

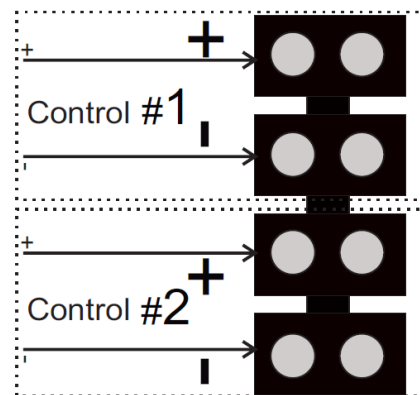
Rev 8/24/2022

Douglas Lighting Controls

Figure 4 - DLS-24500 Typical Control Wiring.

Analog 0-10V Control inputs

Optional:
Could be controlled directly with a 100 KOHM potentiometer.



Wiring notes

- **DO NOT EXCEED 4500 W (16 Amps.) per each dimmer @ 277VAC.**
- All wiring from control to dimmers is low voltage (NEMA Class 2)
- **PD216-AN10-277** dimmer packs may be fed by one or two 20 A (maximum) branch circuits and may have up to two separately dimmed loads.
- **Both breakers must be on the same power phase.**
- **CAUTION: DO NOT** attempt to parallel outputs to increase capacity.
- Installations must conform to local and/or NEC code requirements.
- Each load must have its own Neutral wire for full load operation.
- All line voltage wires must have copper conductors of adequate Gauge with 90° C wire insulation.
- **POWER EACH LOAD DIRECTLY BEFORE CONNECTING IT TO THE DLS-24500-277 TO ENSURE PROPER WIRING.**