

EPC-1-D-HV - UL924 Emergency Shunt w_Dimming (347)



Project Name: _____
 Part Numbers: _____ Date: _____

Features

- Heavy duty emergency power dimmer control
- Automatic diagnostic and manual test features
- For 4 wire dimmable loads (0-10V and low voltage digital dimming)
- Save maximum energy through dimming & still meet safety codes during power failure
- 0-10V Dimming Controls
- Low Voltage Digital Dimming Systems including DALI, and others.



Model EPC-1-D-HV allows switching & dimming of designated emergency luminaires during normal operation & automatically brings emergency luminaires to full brightness during a utility power interruption.

Typical Applications: During normal operation, the dimmer will control both the regular and the emergency lights together. During a regular power interruption, the emergency lights will be ON and the violet wire is interrupted, ensuring the emergency lights are at 100% (full) brightness.

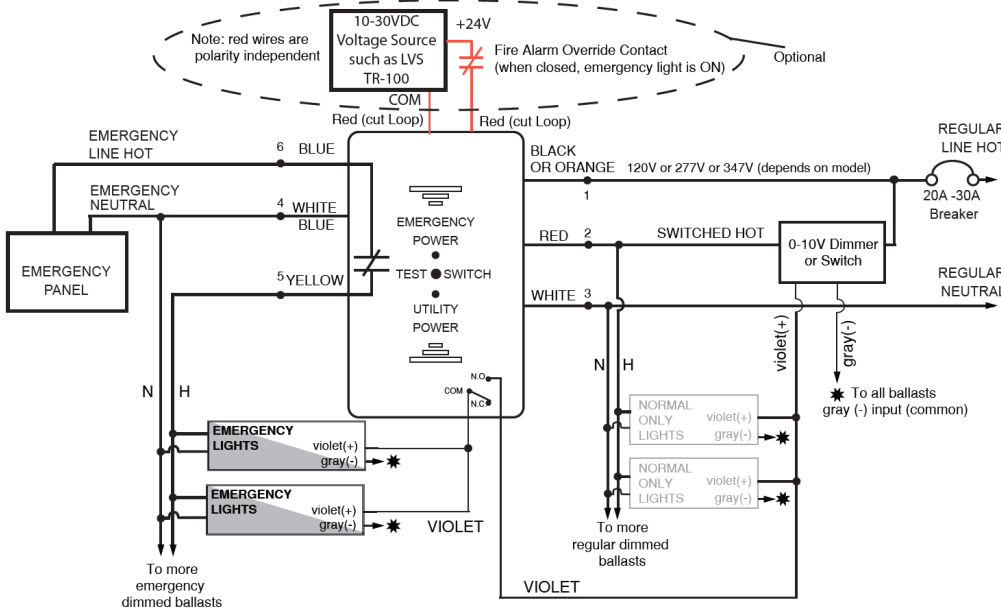
In a new installation, where 10 or 100 separate devices may be used, each having as many as 14 wires to be correctly connected, it is important that a fast convenient method is used to check the connections. In order to test that the wires are connected correctly, without any inconvenience to other occupants, do not turn off regular utility supplied power or turn on the emergency generator until you have checked each EPC-1-D-HV device and light fixtures using the following methods.

When room switch is on & dimmer is at full-bright setting, emergency & regular fixtures should be illuminated at full-bright.

- 1) To test normal operation, ensure branch circuit breaker is connected and utility power is available. If green LED is not illuminated, confirm wiring connections and continuity to branch panels.
- 2) To test emergency operation, turn room switch to "OFF" position. Press and hold test button and ensure emergency lights are illuminated. Depending on DIP switch setting, red LED may be on at all times, or only sometimes, this is normal. (Default is red LED on at all times).

No maintenance is required to keep the EPC-1-D-HV functional. However, regular testing should be performed when the lamps or ballasts have been replaced or when facility remodeling has taken place.

PART NUMBER	DESCRIPTION
EPC-1-D-HV	Wall Station Dimmer Control



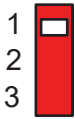
*Patent Pending

Rev 8/24/2022

Douglas Lighting Controls

EPC-1-D-HV - UL924 Emergency Shunt w_Dimming (347)

Slide Switch Options



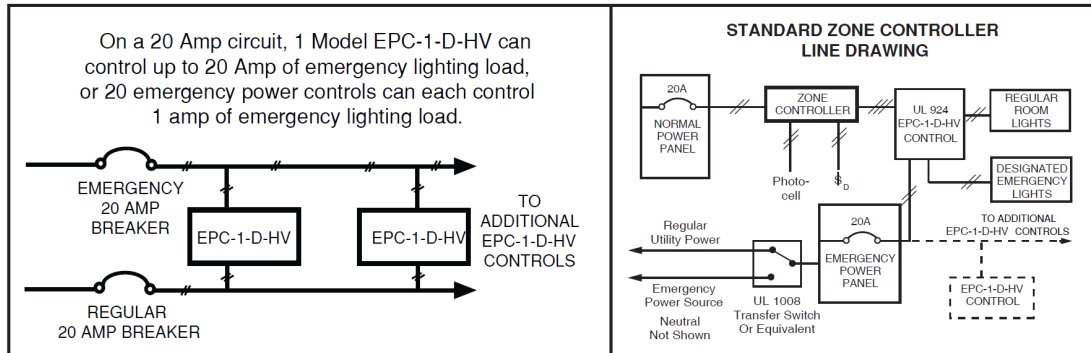
1 No Monthly/Annual Automatic Test
2 No Automatic Diagnostic on switch turn off
3



1 No Monthly/Annual Automatic Test
2 Yes 2.5 second Automatic Diagnostic on switch turn off
3

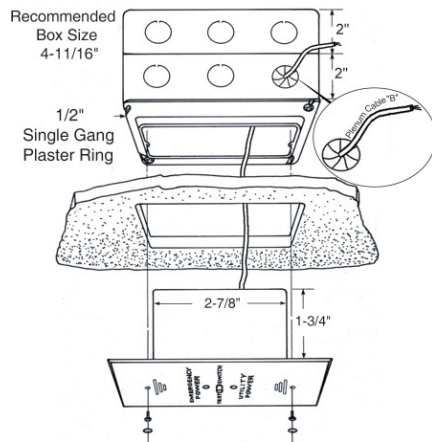


1 Yes Monthly/Annual Automatic Test
2 No Automatic Diagnostic on switch
3



Dimensions

Inches [mm]



Can be mounted flush or above the suspended ceiling*

Accessibility requirements limit the mounting of emergency controls to accessible areas for testing reasons, however the EPC-1-D-HV automatic diagnostic exempts it from these requirements.

Technical Details

FUNCTIONALITY	<ul style="list-style-type: none"> Active 0-10V / Digital Override Universal Compatibility Selectable Automatic Testing Features Integral Test Switch & LED Status indicators Power Supervision Redundancy
INPUT VOLTAGE	<ul style="list-style-type: none"> 120V or 277V or 347V Sensing Input, 120V-347V Load
CURRENT	<ul style="list-style-type: none"> 16 Amp Electronic Ballast Load (120-277V) 15A Ballast Load (347V) 20A General Use (120-277V)
SURGE PROTECTION	<ul style="list-style-type: none"> 1800W (120V) 4200W (277V) Tungsten Voltage Surge Protection
APPROVALS	<ul style="list-style-type: none"> cUL and usUL listed to UL924 UL94-5VA Rating: Safe for installation above the suspended ceiling Tested to UL 2043. Suitable for installation in the plenum
ENVIRONMENT	<ul style="list-style-type: none"> Shipping Weight: 12 oz / Color: White Temperature: 14°F – 140°F Flush Mounted Size: 2-7/8" x 1-3/4" x 3-1/4"
WARRANTY	<ul style="list-style-type: none"> Standard 5-years

*Patent Pending

Rev 8/24/2022

Douglas Lighting Controls