

EPC-2 - UL924 Emergency Shunt



Project Name: _____
 Part Numbers: _____ Date: _____

Features

- Unique, Patented Automatic Diagnostic
- Fire Alarm, Remote Test & 0-10V Dimming Option
- Utility & Emergency Power Indicator LED's
- Slim, attractive flush mount profile allows easy access to manual test switch and LED's.



In the past, emergency lights were kept on 24 hours a day to meet life safety codes. Now, you can use a UL 924 listed Emergency Power Control, Model EPC-2, to convert normal light fixtures into approved emergency lights. The EPC-2 saves energy and money while ensuring compliance with both life safety and energy codes.

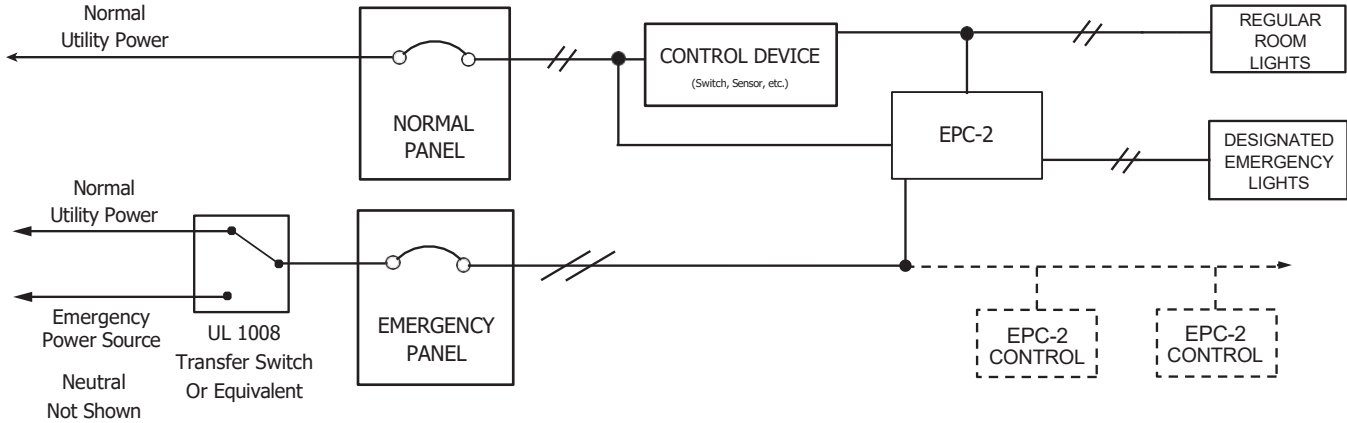
During **normal operation**, the same switch, occupancy sensor, relay panel, or lighting control can switch normal and emergency fixtures on and off simultaneously.

During a **utility power interruption**, the EPC-2 automatically bypasses the normal lighting controls, turning the emergency lights ON, regardless of switch position.

When the room switch is turned off, the EPC-2 will run a 2.5 self-test routine, verifying that the emergency power source was available and that the EPC-2, ballast, and lamp(s) are all functioning correctly. This feature eliminates the need for time-consuming and costly manual monthly testing and is approved for this purpose. This also allows the unit to be installed in remote or inaccessible locations, because the unit does not rely on access to its manual test switch.

Typical Applications: The EPC-2 is ceiling or wall mounted in a junction box with a single gang plaster ring and is usually located in the area where the emergency fixtures are installed.

| PART NUMBER | DESCRIPTION |
|-------------|--|
| EPC-2 | Emergency Power Control for Switched Loads |

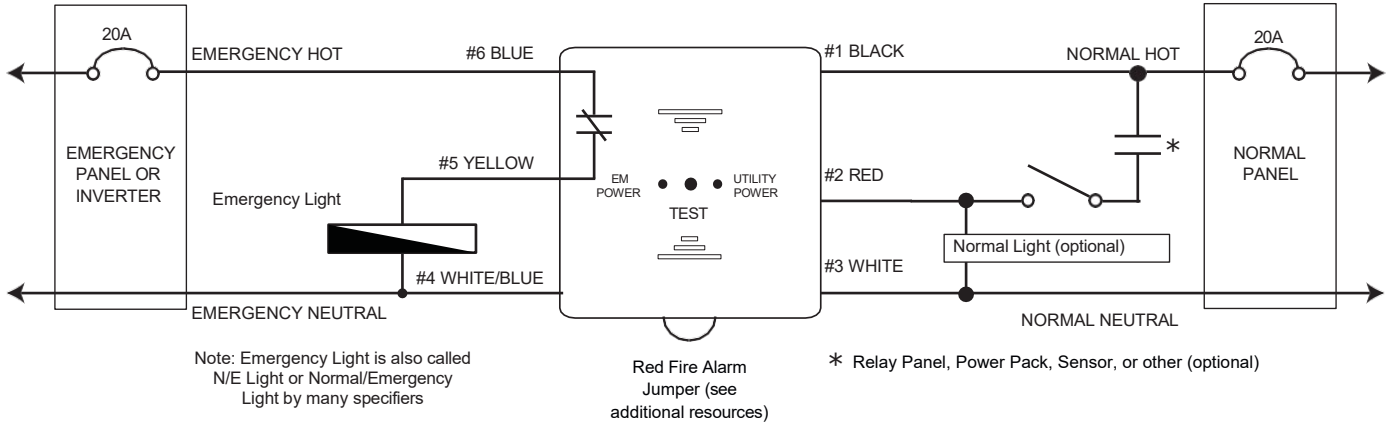


*Patent Pending

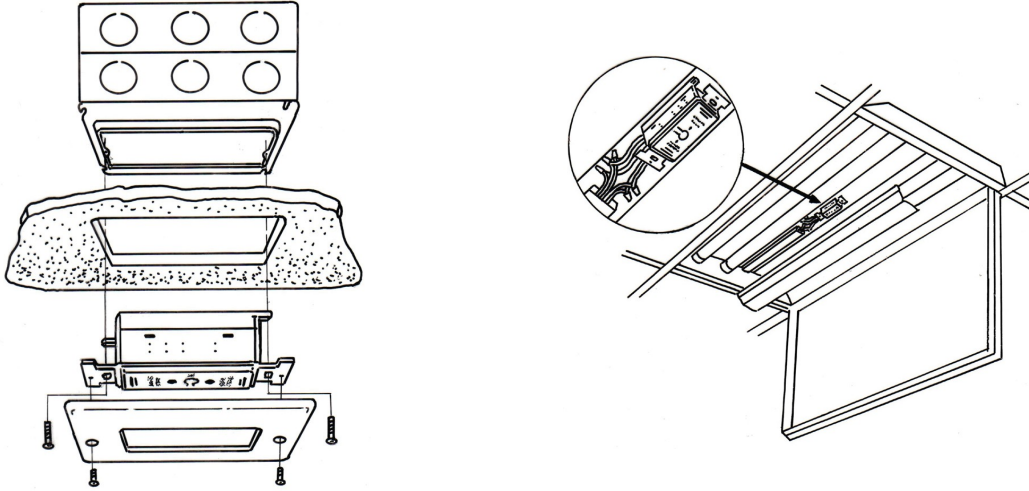
Rev 8/24/2022

Douglas Lighting Controls

EPC-2 - UL924 Emergency Shunt



Mounting



Technical Details

| | |
|----------------------|--|
| FUNCTIONALITY | <ul style="list-style-type: none"> • Dimmer, Occupancy sensor, Dimming panel or Lighting Control are capable of switch and dim on and off |
| INPUT VOLTAGE | <ul style="list-style-type: none"> • 120 - 277V |
| LOAD | <ul style="list-style-type: none"> • Rating: 120V – 277 (20A) • Ballast Load Rating: 20A (120 -277V) |
| POWER | <ul style="list-style-type: none"> • Incandescent Load: 1200W (120V) / 1500W (277V) |
| RATINGS | <ul style="list-style-type: none"> • UL94-5VA |
| ENVIRONMENT | <ul style="list-style-type: none"> • Operating Temperature: 32°F – 140°F (0°C-60°C) • Mounting: 4-11/16" Junction Box w/ single gang plaster • Shipping / Color: 12 oz. / White • Body Size: 1.7" x 3" x 1.2" (W x H x D body) |
| WARRANTY | <ul style="list-style-type: none"> • Standard 5-years |

*Patent Pending

Rev 8/24/2022

Douglas Lighting Controls