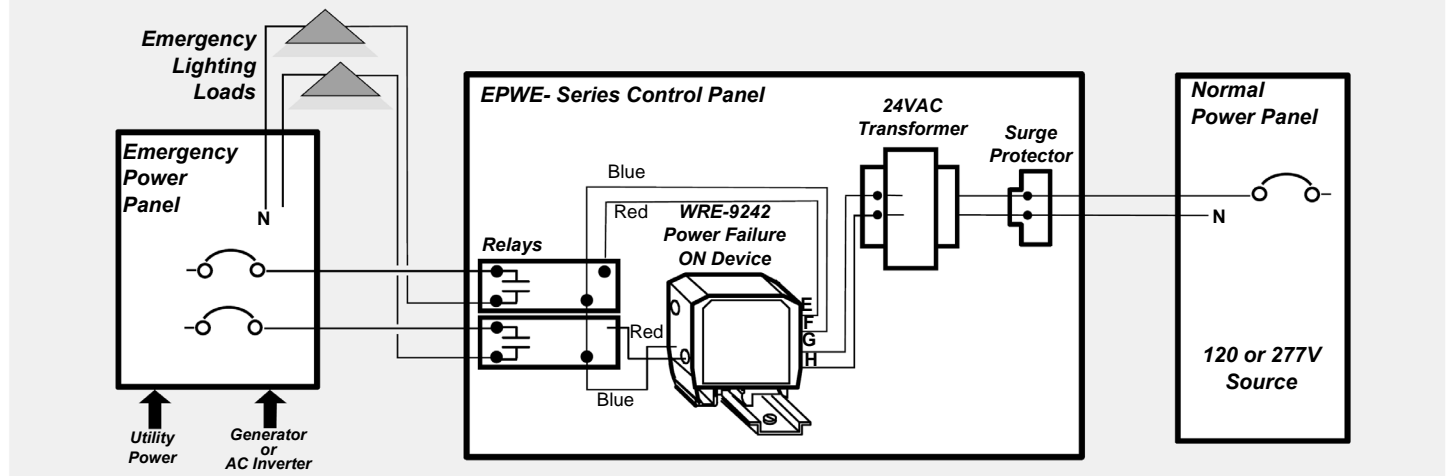


EPWE - UL924 Certified Relay Panels

Emergency Circuit Wiring Diagram



Technical Details

FUNCTIONALITY	<ul style="list-style-type: none"> ❑ WRE-9242 Device switches ON emergency circuits in the event power is interrupted to the Panel.
RELAYS	<p>Control Input</p> <ul style="list-style-type: none"> ❑ Class 2 circuit, 350mA, 24V reverse polarity pulse. x Class 2 input terminals: #16 AWG <p>Output Contact Ratings</p> <ul style="list-style-type: none"> x More than 30,000 operations with 20A load, 2000A inrush at 20 times/minute switch speed x UL Listing: 20A 300VAC, 2400 W 120 VAC 'T', 20A 300 VAC 'F', 20 A 480 VAC (WR-7172 model only). x UL Endurance Test: 150,000 cycles. SCCR Rating: 14KA (WR-6161 and WR-6161-3 models only). x CSA Certifications: 20A 347 VAC, 2400 W 120 VAC 'T', 20 A 347 VAC 'F'. x Output terminals: #10 - #14 AWG.
INPUT POWER	<ul style="list-style-type: none"> x Line voltage: 20A, 120/277
POWER FAILURE ON DEVICE	<ul style="list-style-type: none"> ❑ Input Power: 24VAC 250mA Class 2 Low Voltage device. ❑ Each of the unit's 2 relay outputs sends a relay ON pulse when the input 24VAC power is interrupted.
PANEL ASSEMBLY	<ul style="list-style-type: none"> ❑ Enclosure, barriers, and cover made of steel coated with ANSI/ASA 61 Grey epoxy finish ❑ EMAC/NEMA 1 or NEMA 4 or NEMA 4x Standard x ETL certified to UL924 Standard
PANEL ASSEMBLY	<ul style="list-style-type: none"> ❑ Indelibly printed, pressure-sensitive Emergency Circuit Warning Label provided with the Relay Panel and affixed to the front cover.
APPROVALS	<ul style="list-style-type: none"> ❑ UL924 ❑ Certified UL 1449 Standard
ENVIRONMENT	<ul style="list-style-type: none"> ❑ Outer enclosure and cover made of steel coated with ANSI/ASA grey epoxy finish. Interior insert is aluminum and steel.
WARRANTY	<ul style="list-style-type: none"> ❑ Standard 5-years