

PWEx - NEMA 4 Relay Panels



Project Name: _____
 Part Numbers: _____ Date: _____

Features

- Standard sizes range from 12 to 72 relays. (Note 6162 & 6172 = 2 relay spaces).
- A panel consists of the enclosure (tub), the interior and the cover.
- Enclosures are installed in the rough-in stage and interiors are installed and connected after wires are pulled.
- Interior has snap brackets for mounting relays and DIN rail in the center for mounting control components.
- Cover and enclosure can be coated steel (NEMA 4 Standard) or stainless steel (NEMA 4X Standard).

N4 and N4x series relay panels for Douglas HID relays are supplied with a separate interior. All of the components and barriers are mounted to the interior.

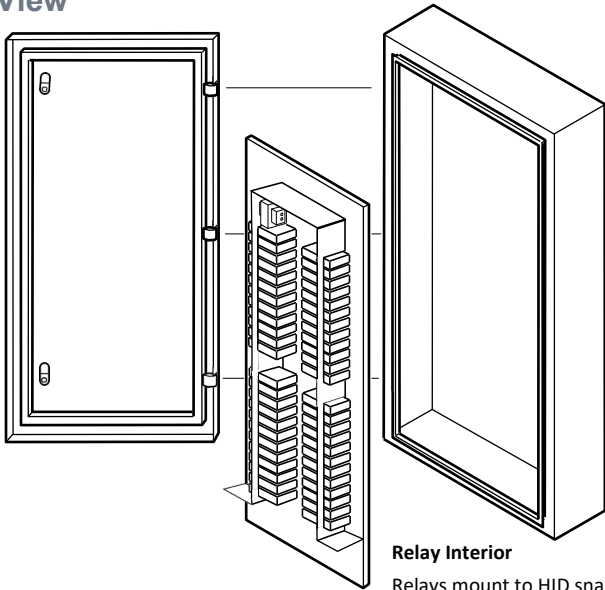
Typical Applications: Douglas N4 and N4x panels are primarily intended for projects where the interior is factory pre-assembled. To install the relay panel the following sequence is recommended:

1. Mount the empty enclosure onto the wall and pull wires. It is recommended that all (or most) of the wires be pulled prior to installing the interior. This will prevent component damage from the wire pulling operation.
2. Relay line voltage terminals are sized for a maximum of 12AWG wire. For low voltage wiring, 18AWG solid is recommended.
3. Once the wires have been pulled, install the interior, and bolt it into place. Make line connections to relays according to the panel schedule provided. If there is no schedule, identify circuits on blank schedule.
4. To test circuit, turn circuit breaker off, use manual lever to turn relay on and then turn on the circuit breaker. This will help prevent relay contact welding due to dead shorts.
5. Verify that the schedule matches the lights operated by the relay.
6. Once the line circuits are connected and verified, connect low voltage switch wiring to relays or devices.

Nema4 Panels: Exploded View

Hinged Cover

Install right side up or upside down for right-to- left or left-to-right door.
 Insulating rubber gasket on inside surface.



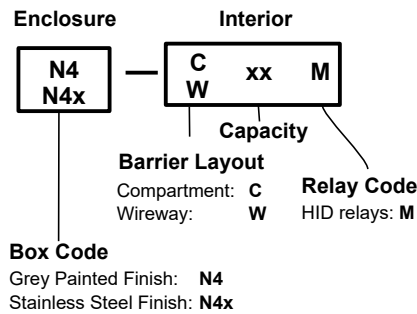
Enclosure

Mount enclosure on wall.

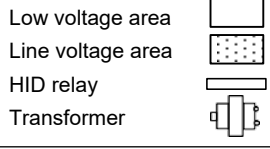
Relay Interior

Relays mount to HID snap rails. Barriers are located to provide the line / low voltage division.
 Transformers mount to 1/2" knock outs located in the barrier.
 Control components are mounted to DIN rail in center of interior.
 Pre-assembled Nema 4 panels will have panel schedules completed according to information provided and all low voltage control connections pre-wired.

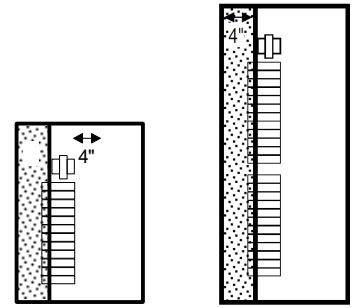
Nema4 Panel Numbering System



Symbols

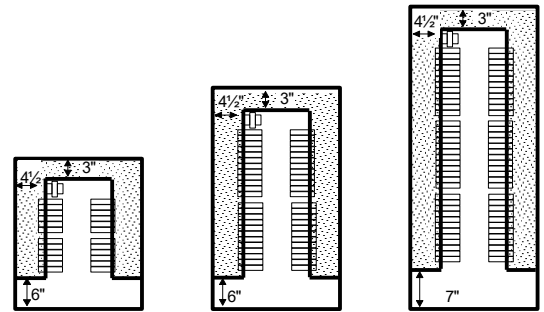


Compartment Style Barrier Layout



CAPACITY	12	24
PART No.	PWE1-C12M-S3	PWE2-C24M-S3
SIZE (HxWxD)	20x14x4.25	33x14x4.25

Wireway Style Barrier Layout



CAPACITY	24	48	72
PART No.	PWE2-C24M-S3	PWE6 - W48M-S3	PWE8 - W72M-S3
SIZE (HxWxD)	33x14x4.25	39 x 20 x 4.25	54 x 20 x 4.25

Technical Details

OPTIONS	<ul style="list-style-type: none"> Covers are reversible for either left-to-right or right-to-left door opening. Voltage dividers to divide line voltage compartment for different line voltages.
APPROVALS	<ul style="list-style-type: none"> UL listed, CSA approved EEMAC/NEMA 4 Standard
ENVIRONMENT	<ul style="list-style-type: none"> Cover and enclosure can be coated steel (NEMA 4 Standard) or stainless steel (NEMA 4X Standard). Interior has snap brackets for mounting relays and DIN rail in the center for mounting control components. N4 enclosures and covers, which meet NEMA 4 Standard, are made of steel coated with ANSI/ASA 61 Grey. Coating is heat fused polyester epoxy finish applied on all surfaces. N4x enclosures and covers are made of corrosion-free stainless steel to meet NEMA 4X Standard. Interior insert is made from aluminum, steel and plastic parts.
WARRANTY	<ul style="list-style-type: none"> Standard 5-years