



Project Name: _____
Part Numbers: _____ Date: _____

**Features**

- CheckLight™ Equipped
- Factory installed or retro-fitted to existing Dialog Relay Panels
- Measures individual relay output current



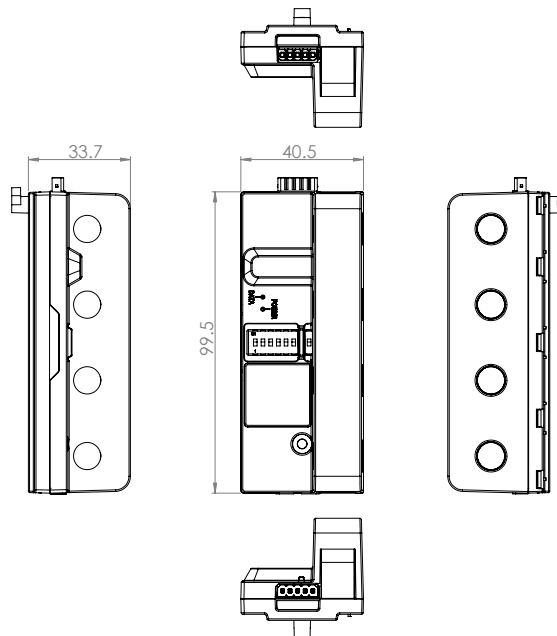
Each WCM-4304 measures individual relay output current for up to four circuits within a Universal Douglas® relay panel. Additional WCM-4304s are added to measure all relay outputs within the panel. Energy consumption of each relay is aggregated in the panel LCU (lighting control unit) and shared with our CheckLight platform.

CheckLight is a cloud-based energy management and energy monitoring platform available on our centralized, distributed, and wireless lighting control systems.

PART NUMBER	DESCRIPTION
WCM-4304	Current transformer for relay output current measurement

**Dimensions**

Inches [mm]



**Technical Details**

<b>FUNCTIONALITY</b>	<ul style="list-style-type: none"> <li>• Measures relay output current</li> </ul>
<b>INPUT VOLTAGE</b>	<ul style="list-style-type: none"> <li>• 24VAC</li> </ul>
<b>ADDRESSING</b>	<ul style="list-style-type: none"> <li>• DIP Switch</li> </ul>
<b>INDICATORS</b>	<ul style="list-style-type: none"> <li>• Power, Dialog Dataline</li> </ul>
<b>ENVIRONMENT</b>	<ul style="list-style-type: none"> <li>• Indoors, stationary, non-vibrating, non-corrosive atmosphere, and non-condensing humidity</li> <li>• Ambient operation temperature: 5°F to 120°F (-15°C to 50°C)</li> </ul>
<b>WARRANTY</b>	<ul style="list-style-type: none"> <li>• Standard 5-years</li> </ul>