

WIR-3110 - Infrared Setting Unit



Project Name: _____
Part Numbers: _____ Date: _____

Features

- The Infrared Setting Unit is used to set the input devices target to an output address or group code.
- Infrared signals are used to read and write the address or code information.
- All Input Devices have an infrared transceiver built in that is compatible with the Infrared Setting Unit.
- Used with Both Dialog (3000 Series) and Diversa Devices

Use to set output address or group codes into Input Devices. Input Devices include: switches, occupancy sensors contact inputs and photo sensors.

Typical Applications: Point the Unit at the device to be set, and press the receive information button to identify the device and its contents to the Infrared Setting Unit. Then make edits as required and send the new settings back into the device.

PART NUMBER	DESCRIPTION
WIR-3110	Infrared Setting Unit

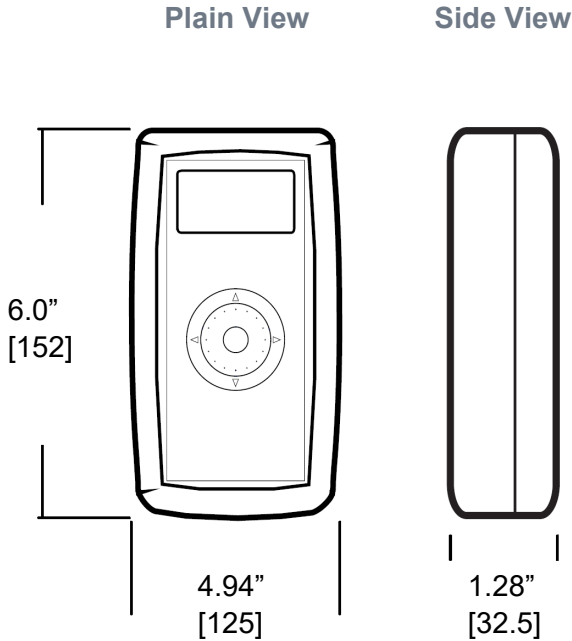
WIR-3110 Infrared Setting Unit

Use to set output address or group codes into Input Devices.

Input Devices include: switches, occupancy sensors contact inputs and photo sensors.



Dimensions
Inches [mm]



Technical Details

POWER	<ul style="list-style-type: none"> 2 AA standard alkaline or rechargeable NiMH batteries
COMMUNICATION	<ul style="list-style-type: none"> Infrared communication to Dialog devices equipped with IR transceiver
INTERFACE & OPERATION	<ul style="list-style-type: none"> IR Setting Unit can request, via IR link, from the device what type it is, display the options available edit and send those options back to the device. Settings include but are not limited to: <ul style="list-style-type: none"> - display present device target. - Set device to address group target. - Adjust device settings.
ENVIRONMENT	<ul style="list-style-type: none"> Non-vibrating, non-corrosive atmosphere & non-condensing humidity. Ambient Temp: 5°F to 120° F (-15° C to 50° C).
WARRANTY	<ul style="list-style-type: none"> Standard 5-years

*Patent Pending

Rev 8/24/2022

Douglas Lighting Controls