

WLC-4150-x - Dialog Lighting Control Unit



Project Name: _____
Part Numbers: _____ Date: _____

Features

- CheckLight Equipped (E version)
- Touchscreen Interface
- Energy Consumption Display (E version)
- OpenADR Ready (E version)
- Manages and Powers the Dialog Low Voltage Network
- Integrated web-server for Remote Access
- Native BACnet/IP



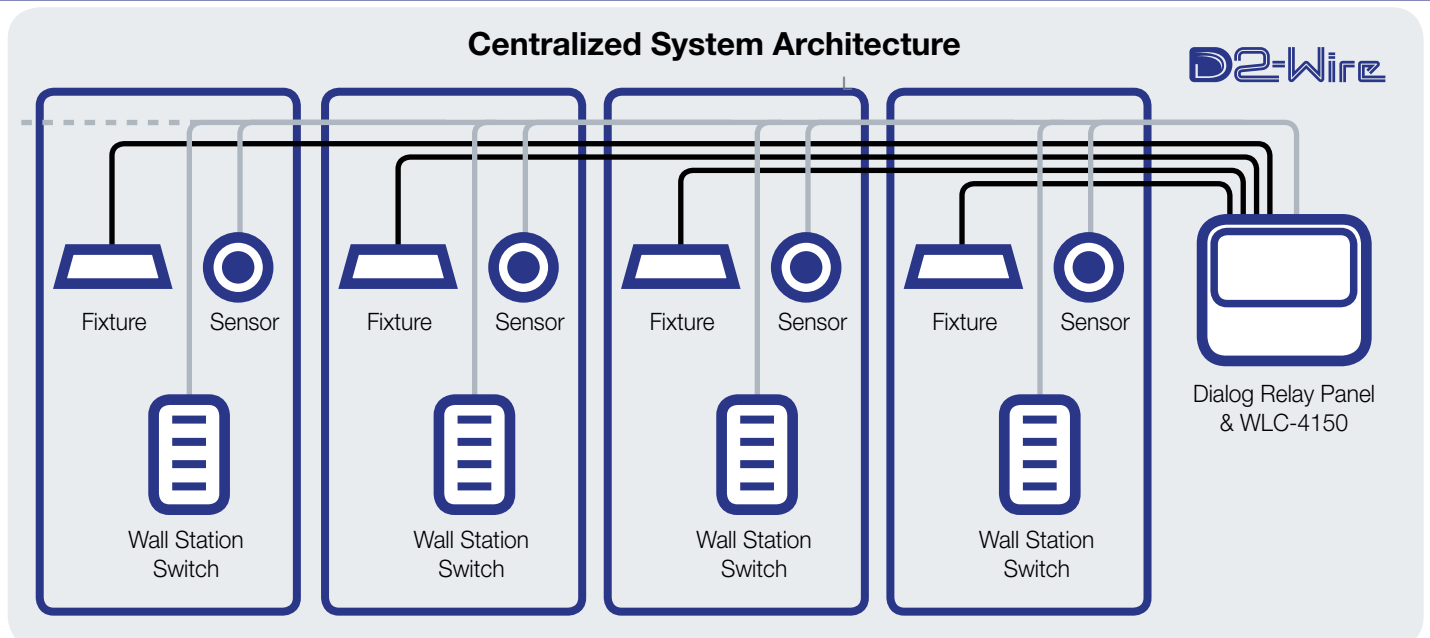
ASHRAE 90.1 Compliant



The Dialog® Lighting Control Unit (LCU) is used for centralized facility or multi-facility applications to manage the Dialog Lighting Control System. The controller is DIN rail mounted within the low voltage compartment of a relay panel in order to control and coordinate building lights based on messaging from peripheral devices, scheduled programs, and pre-configured actions. Its non-volatile memory stores the lighting control programming that manages the facilities lights. The large 6.25”H x 3.75”W capacitive touchscreen can be used for adding or changing system settings. An integral web-server is provided for a remote browser interface. For larger projects, touchscreen panel computers and iPad® devices can be used for system control. Contacts are available to control HVAC and security systems. Native BACnet capabilities provides connectivity to Building Management Systems. The USB port can be used for downloading (and uploading) system programming.

Typical Applications: The Dialog Lighting Control Unit is part of the Dialog System which includes relay panels, control cards and peripheral devices (Occupancy Sensor, Daylight Sensor, Wall Station Switches). Systems are built project specific, then factory programmed and tested before shipping to site. On-site support for commissioning is provided as needed.

PART NUMBER	DESCRIPTION
WLC-4150-C	Lighting Control Unit - Native BACnet
WLC-4150-L	Lighting Control Unit - Lite (non-networked/non-BACnet)
WLC-4150-E	Lighting Control Unit - CheckLight Equipped, Native BACnet
WLC-OpenADR	Dialog Centralized ADD-ON: OpenADR feature for WLC-4150-C
WLC-Remote2yr	Dialog Centralized ADD-ON: Remote Cloud Access (2yrs) feature for WLC-4150-C *requires CHKLT- Cell(CDN/US)



*Patent Pending

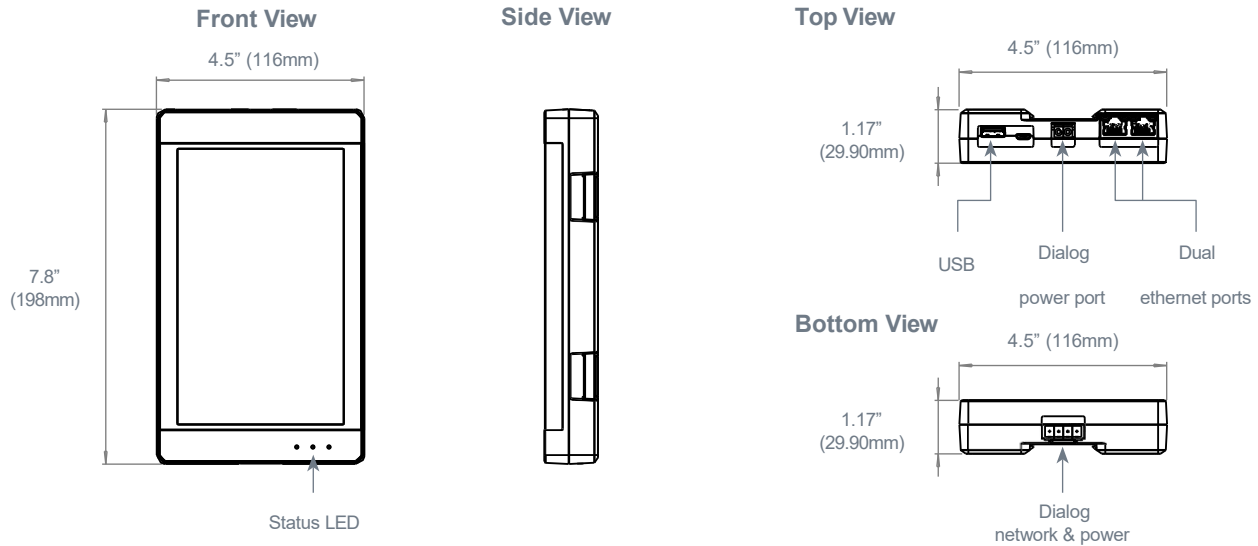
Rev 8/24/2022

Douglas Lighting Controls

WLC-4150-x - Dialog Lighting Control Unit

Dimensions

Inches [mm]



Note: Maximum wire length: 1000ft (300m); Aggregate 3000ft (900m) - Amplifiers used to extend distances when required.

Technical Details

FUNCTIONALITY	<ul style="list-style-type: none"> • Addressability • Energy Measurement (E version) • OpenADR ready (E version) • Astronomical time clock (plus auto daylight savings time change) • Scheduling including vacation overrides • 0-10V dimming • Natural daylight priority • Room control • Demand response • Zone control • BACnet IP (-C & -E versions)
POWER	<ul style="list-style-type: none"> • 24VAC, 1A is required for power
COMMUNICATION	<ul style="list-style-type: none"> • Dialog 2-wire (18/2 AWG) low voltage, non-polarized, power and data bus
INTERFACE	<ul style="list-style-type: none"> • Approx. 6.25"H x 3.75"W capacitive touch screen • Full color
OUTPUT	<ul style="list-style-type: none"> • 500mA
ENVIRONMENT	<ul style="list-style-type: none"> • Indoors, stationary, non-vibrating, non-corrosive atmosphere & non-condensing humidity • Ambient operating temperature: +5°F to +120°F (-15°C to +50°C)
WARRANTY	<ul style="list-style-type: none"> • Standard 5-years