

WN-77xx - Steel Switch Enclosures

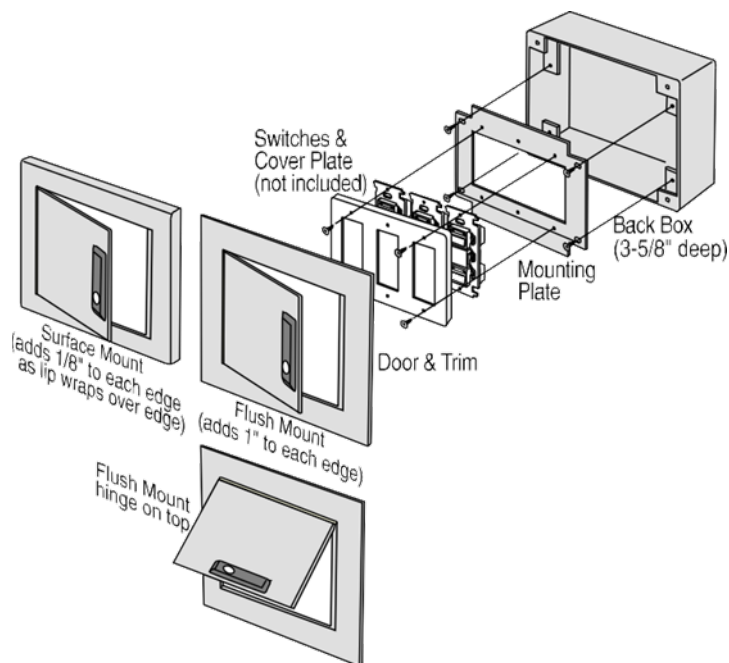


Project Name: _____
Part Numbers: _____ Date: _____

Features

- Steel switch enclosures are suited for high abuse installations.
- Typical installations are high school gymnasiums and public & high traffic areas.
- Available in flush or surface mount or flush mount with top hinge.
- Enclosures consist of a backbox, a mounting plate, and a hinged door and trim.
- Available in Almond

Assembly Layout:



PART NUMBER	DESCRIPTION
WN-7722-*	2 - Gang Enclosure
WN-7733-*	3 - Gang Enclosure
WN-7744-*	4 - Gang Enclosure
WN-7755-*	5 - Gang Enclosure
WN-7766-*	6 - Gang Enclosure
WN-7788-*	8 - Gang Enclosure
WN-772525-*	2x5 - Gang Enclosure
WN-772626-*	2x6 - Gang Enclosure
WN-772828-*	2x8 - Gang Enclosure

***Specify:**

S = Surface Mount

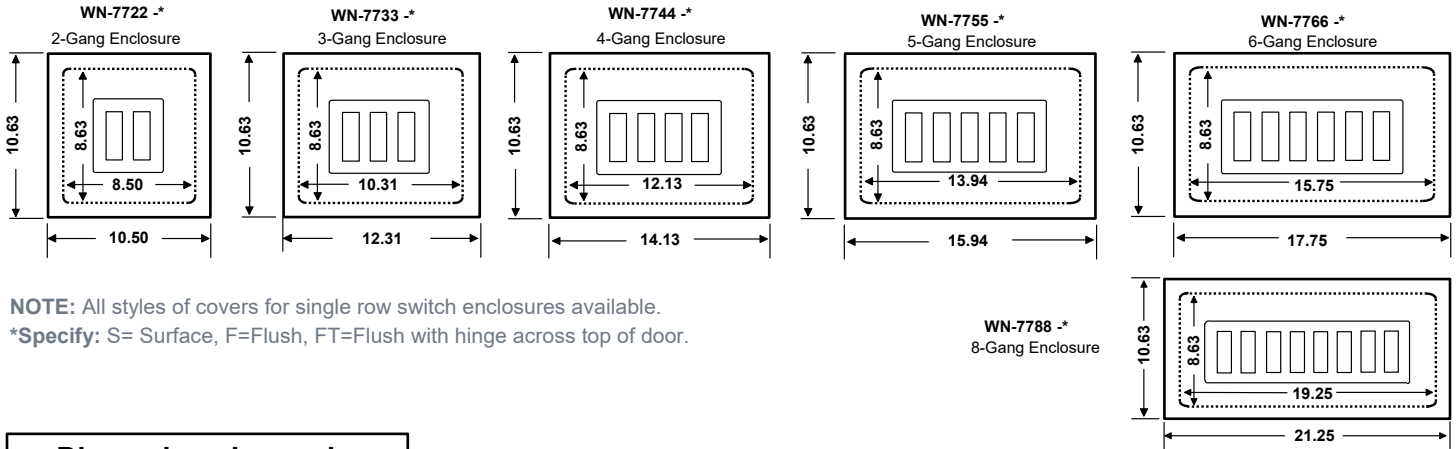
F = Flush Mount

FT = Surface Mount, Hinge on Top

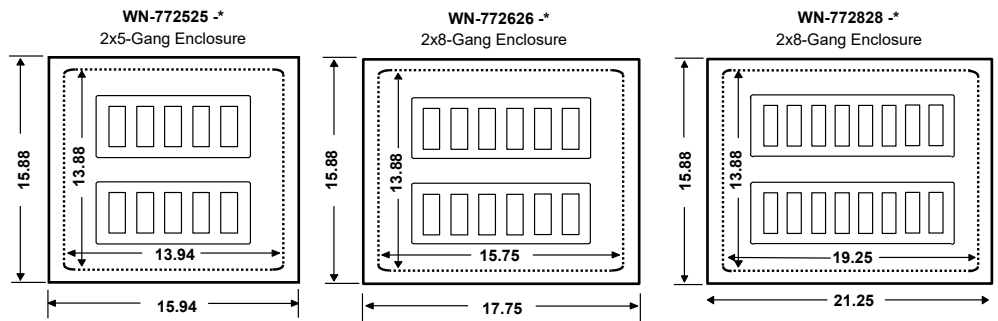
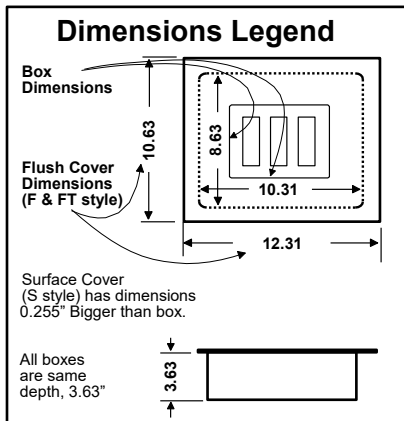
WN-77xx - Steel Switch Enclosures

Dimensions

Inches [mm]



NOTE: All styles of covers for single row switch enclosures available.
***Specify:** S= Surface, F=Flush, FT=Flush with hinge across top of door.



NOTE: Only Surface and Flush Covers for double row switch enclosures available.
 Flush Cover with top Hinge not available for double row enclosures.
***Specify:** S= Surface, F=Flush

Technical Details

MOUNTING & ASSEMBLY	<ul style="list-style-type: none"> Refer to diagram below
DIMENSIONS	<ul style="list-style-type: none"> Back box (w)x(h) dimensions are shown for each enclosure in the diagram Back box is 3-5/8" deep (all enclosures)
ENVIRONMENT	<ul style="list-style-type: none"> Coating is heat fused polyester epoxy finish Light almond (off white) color
WARRANTY	<ul style="list-style-type: none"> Standard 5-years