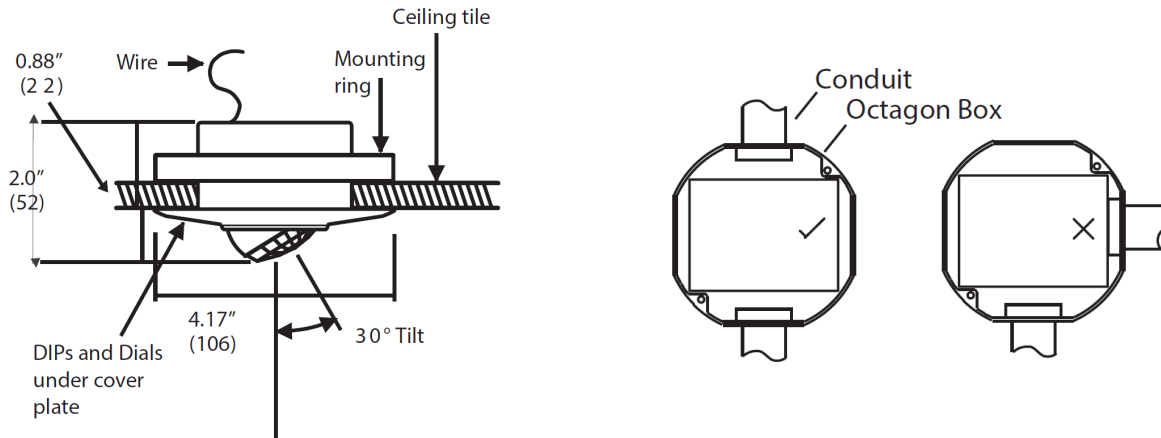


WOR_WVR - Diversa Ceiling Occ_Vac Sensor (PIR 120_277VAC)

- Unit attaches to mounting ring with screws or it can be Mounted into an octagon box.
- The WOR sensor will fit an octagon box. It is very important that conduits be attached at opposite ends of the box.
- Use a 2 1/8" or more, deep box. If the box is less, use the spacer ring.



Technical Details

POWER	<ul style="list-style-type: none"> • 120/277VAC • 60Hz
CONTACT RINGS	<ul style="list-style-type: none"> • 120VAC - 800W • 277VAC - 1200W
POWER CONSUMPTION	<ul style="list-style-type: none"> • 5.7mA
APPROVALS	<ul style="list-style-type: none"> • Certified to UL 508, UL244A, CSA C22.2 #14
ENVIRONMENT	<ul style="list-style-type: none"> • Indoors, stationary, non-vibrating, non-corrosive atmosphere and non-condensing humidity. • Ambient Operation Temperature: 32°F to 104°F (0°C to 40°C) • Storage Temperature: -14°F to 140°F (-25°C to 60°C) • Low temp and high humidity option [-L] products: PCB conformal coated for resistance to damp environments and operation to -40°C/F. Indoor use only.
WARRANTY	<ul style="list-style-type: none"> • Standard 5-years