

Diversa Retrofit Ceiling Occ_Vac Sensor (DualTech 24VAC)

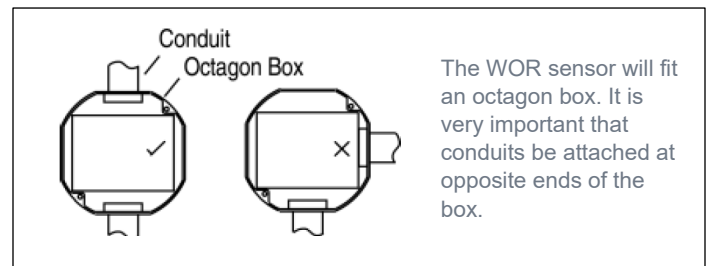
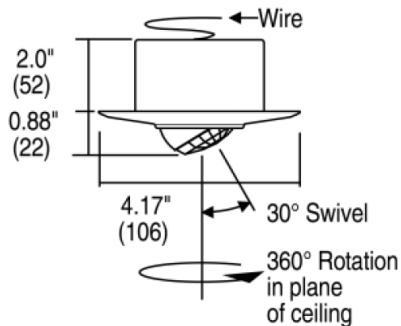
DIP Switches

A bank of eight DIP switches and two rotating controls can be used to manually setup and configure the sensor.

WOR - - - -'N'-		
DIP	On Position	Off Position (Default)
8	IR Settings	Manual Settings
7	Button Disabled	Button Enabled
6	Not Used	Not Used
5	Not Used	Not Used
4	Occupancy Sensor (Auto-On)	Vacancy Sensor Only
3	Detect LED Disabled	Detect LED Enabled
2	PIR High Sensitivity	PIR Normal Sensitivity
1	ADI-Voice Disabled	ADI-Voice Enabled

Dimensions

Inches [mm]



Unit attaches to mounting ring with screws or it can be mounted into an octagon box. Use a 2-1/8" or more, deep box. If the box is less, use the spacer ring.

The WOR sensor will fit an octagon box. It is very important that conduits be attached at opposite ends of the box.

Technical Details

INPUTS	<ul style="list-style-type: none"> 24VAC ± 25% 60Hz Class 2 Low Voltage Source Use #18AWG wire
OUTPUTS	<ul style="list-style-type: none"> Diode Pulse: Each output is capable of driving up to four Diode Pulse relays.
POWER CONSUMPTION	<ul style="list-style-type: none"> 9.5 mA Standard
APPROVALS	<ul style="list-style-type: none"> FCC
ENVIRONMENT	<ul style="list-style-type: none"> Indoors, stationary, non-vibrating, non-corrosive atmosphere and noncondensing humidity Ambient Operating Temperature: 14°F to 140°F (-10°C to 60°C) Storage Temperature: -14°F to 140°F (-25°C to 60°C)
WARRANTY	<ul style="list-style-type: none"> Standard 5-years