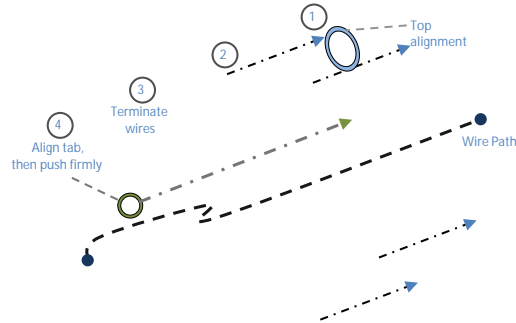


INSTALLATION & WIRING DIRECTIONS

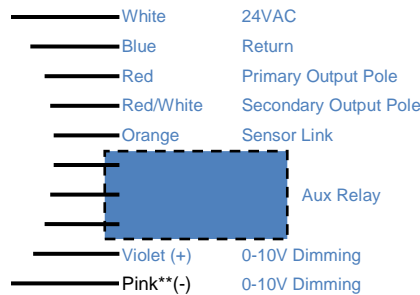
Installation

Mounting of the device requires a 2-1/8" deep, octagonal junction box. Install by recessing the device into the octagon box; lining up the mounting holes and securing it using the screws provided.



Wiring

The WOW Series Low Voltage sensors are equipped with plug-in harness for easy installation. This harness has #20 AWG leads. Use appropriate sized wire-nuts to connect the wires to the incoming load terminations.



** This wire/terminal may be gray on older products or in retrofit applications. The 2020 edition of the NEC prohibits field-connected control wires from being gray to avoid confusion with gray 277V neutral wires. Effective January 1, 2022, 0-10V signal wires will use purple and pink insulation.

DIP Switches

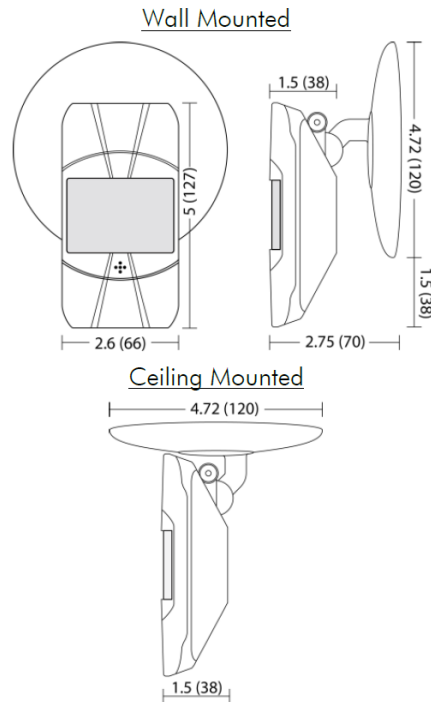
A bank of eight DIP switches and two rotating controls can be used to manually setup and configure the sensor.

WOW - - - 'R-N'				
DIP #	Function	On	Off	Default
1	Voice Detection	Disabled	Enabled	OFF
2	Motion Detection Sensitivity	High	Normal	OFF
3	Detection LED	Disabled	Enabled	OFF
4	Auto or Manual ON	Occupancy (Auto-On)	Vacancy (Manual On)	ON
5	Not Used	N/A	N/A	OFF
6	Not Used	N/A	N/A	OFF
7	Manual Override Button	Disabled	Enabled	OFF
8	Settings Input	IR Handheld (WR-3110)	Manual Dips/Dials	ON

*Available in 2-Pole models (-2) only

Dimensions

Unit mounts into an octagon box.



Technical Details

INPUTS	<ul style="list-style-type: none"> • 24 VAC $\pm 25\%$ • Class 2 Low Voltage Source • 60Hz • Use #18AWG wire
OUTPUTS	<ul style="list-style-type: none"> • Diode Pulse: Each output is capable of driving up to four Diode Pulse relays. • 0-10V Dimming: Use to control up to 50 Ballasts. Connections are polarity sensitive. 25mA of LED Drivers. • Aux Relay: SPDT Form-C contact rated for 1A at 30VDC.
POWER CONSUMPTION	<ul style="list-style-type: none"> • 9.5 mA Standard • 14.0 mA with Auxiliary Relay
APPROVALS	<ul style="list-style-type: none"> • FCC
ENVIRONMENT	<ul style="list-style-type: none"> • Indoors, stationary, non-vibrating, noncorrosive atmosphere and noncondensing humidity • Ambient Operating Temperature: 14°F to 140°F (-10°C to 60°C) • Storage Temperature: -14°F to 140°F (-25°C to 60°C)
WARRANTY	<ul style="list-style-type: none"> • Standard 5-years