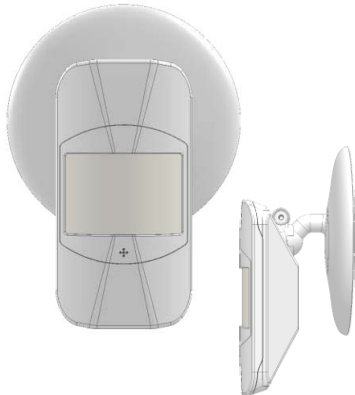


Dialog Wall Mount Occ_Vac Sensor (DualTech, Network)



Project Name: _____
 Part Numbers: _____ Date: _____

Features

- Wall mounted occupancy sensor provides 90° coverage. Has the ability to rotate in both the horizontal and vertical axis to optimize the sensing area.
- The dual-tech sensor utilizes ADI-Voice Technology, which has advanced digital signal processing for accurate detection of human speech.
- A Self-adapting mode can be set to use both Passive Infrared (PIR) & Accurate Detection Intelligence (ADI) Voice technologies to automatically track occupancy tendencies for continuous maximizing of energy savings.
- Smart Sensing allows for an immediate return to occupied mode in the event of a false off being triggered.
- Can be programmed by the IR Setting Unit for added convenience, especially during commissioning.

Low voltage sensors are powered by Dialog data bus. When in operation, the sensor will detect initial motion using PIR; once motion is detected the internal contact will close. The ADI-Voice is then activated to work alongside the PIR to detect occupancy.

- The Dialog occupancy sensors use PIR and ADI-Voice technologies to determine the presence of people and perform the control actions when occupancy (or vacancy) is detected
- The WOW Series of sensors are designed to surface mount on a wall giving either a 90° coverage pattern
- The Dialog edition of this sensor gives the capability of operating and controlling directly on the Dialog bus
-

PART NUMBER	DESCRIPTION
WOWCDG1-P-N	Dialog Corner Mounted Occ/Vac Sensor

Installation

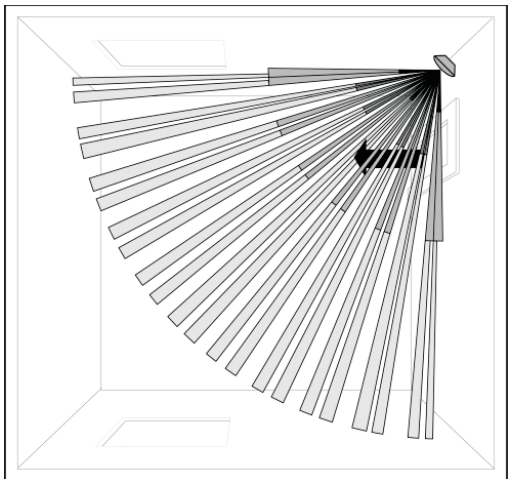
Installing in Smaller Room (Corner Lens)

- Locate the sensor in the corner, along the entrance door to prevent it from viewing out into the hallway.
- The sensor can be rotated, allowing it to be pointed along the entrance door and slightly downwards.
- Positioning the sensor in this manner ensures that an occupant moves across the longest detection beam upon entrance, utilizing the sensor's maximum PIR range.

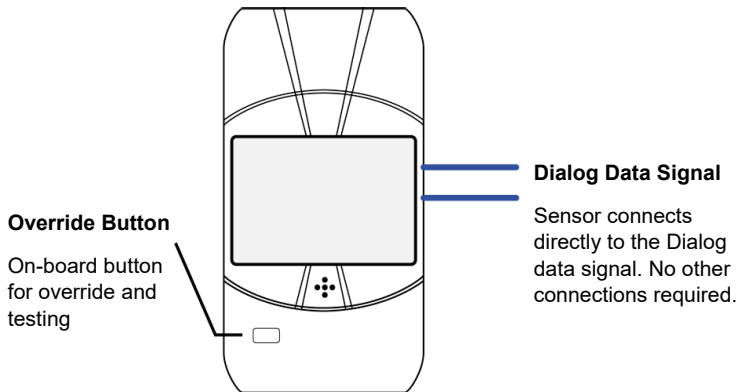
Corner Lens

- Optimal usage is to detect small motions such as hand movements
- Designed for a mounting height of up to 7-15ft

ADI-Voice can detect around corners that PIR cannot to maintain occupancy



Typical Enclosed Office



*Patent Pending

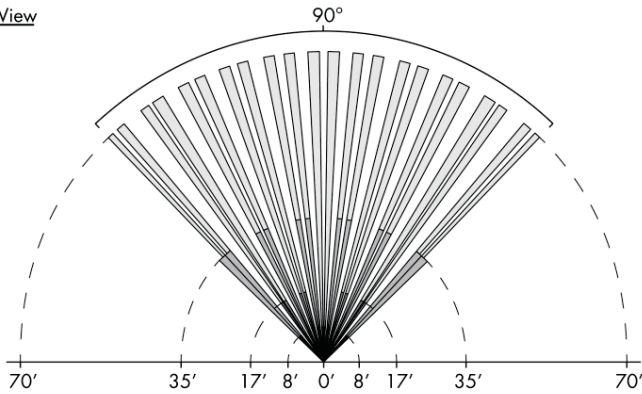
Rev 11/2022

Douglas Lighting Controls

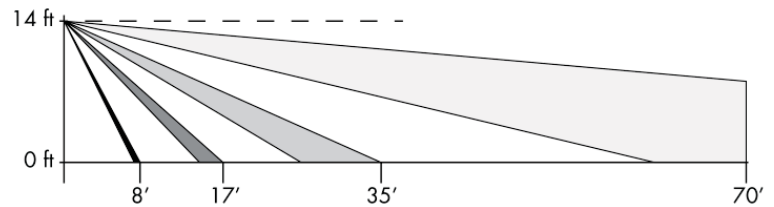
Dialog Wall Mount Occ_Vac Sensor (DualTech, Network)

Coverage Pattern

Top View



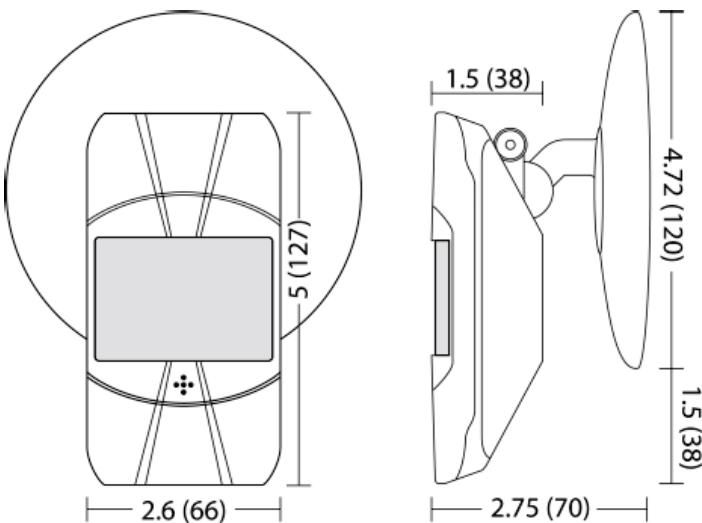
Side View



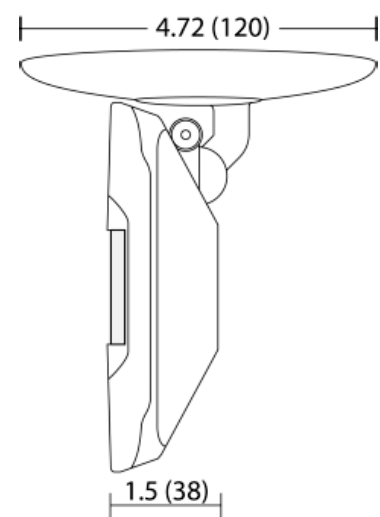
Dimensions

Inches [mm]

Wall Mounted



Ceiling Mounted



Technical Details

FUNCTIONALITY	<ul style="list-style-type: none"> Dialog Data signal is the only connection required
OUTPUT	<ul style="list-style-type: none"> Action on: <ul style="list-style-type: none"> Occupancy/Unoccupancy Switch Photo Reading
APPROVALS	<ul style="list-style-type: none"> FCC
ENVIRONMENT	<ul style="list-style-type: none"> Indoors, stationary, non-vibrating, non-corrosive atmosphere and non-condensing humidity Ambient Operating Temperature: 14°F to 140°F (-10°C to 60°C) Storage Temperature: -14°F to 140°F (-25°C to 60°C)
WARRANTY	<ul style="list-style-type: none"> Standard 5-years