

WP-PP20-D - 1-Pole Power Pack, 120\_277VAC



Project Name: \_\_\_\_\_  
 Part Numbers: \_\_\_\_\_ Date: \_\_\_\_\_

**Features**

- 120-277VAC
- Single pole
- For use with:
  - Diversa sensors
  - 8700 Series switches
  - Panasonic Diode Pulse relays

The WP-PP20-347-D Power Pack is a lighting control switching (relay) device that powers a Diversa Low Voltage Sensor. It will open or close the relay (OFF/ON) based on commands from a Diversa Low Voltage sensor or Douglas Lighting Controls 8700 series wall station switch.

**Output Contact Load Rating**

Voltage	Contact Rating			
	General	Tungsten	Standard Ballast	Electronic Ballast
120V	20A	20A	20A	16A
277V	20A	20A	20A	16A

PART NUMBER	DESCRIPTION
WP-PP20-D	1-Pole Power Pack, 120/277VAC

All Power Packs provide a 24 VAC secondary source for use with the Low Voltage Diversa Sensors and other Diode Pulse devices. All switches or sensors required to be supported by the PowerPack must be included in the loading calculation.

**Maximum Load Per Input**

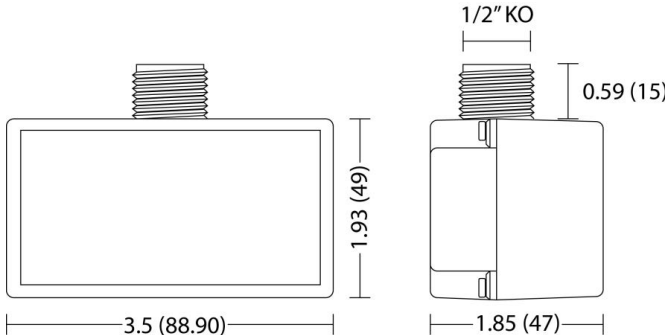
Type	Max # of Linked Sensors
Standard	8
With Aux Relay	5

**Typical Low Voltage Loads (110mA max)**

Device	Part#	Current (mA)
Ceiling Mounted Sensor	WOR/WVR	11mA Standard 21mA w/ Aux Relay
Wall Switch Sensor	WOS/WVS	
Corner Mount Sensor	WOW/WVW	
Diode Pulse Switch	WSR & WRD 8700 Series	4mA

**Dimensions**

Inches [mm]



\*Patent Pending

Rev 8/24/2022

Douglas Lighting Controls

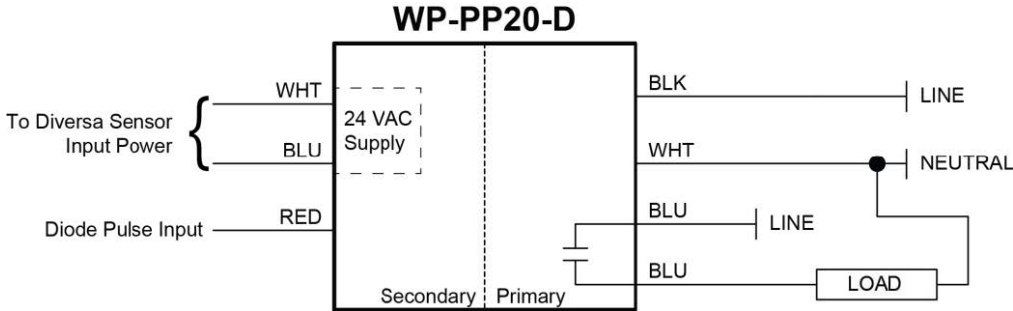
### Wiring Instructions

Terminating wire shall be a minimum of #22 AWG for control power connections and shall be suitably sized to handle the load ratings below.

**⚡ CAUTION ⚡**

**TURN POWER OFF AT THE CIRCUIT BREAKER BEFORE WORKING WITH OR NEAR HIGH VOLTAGE**

The power packs are equipped with #14 AWG stranded leads. Use appropriately sized wire-nuts to connect the wires to the incoming load terminations. For installation with field-installed conductors of 60°C minimum rating.



### Technical Details

<b>VOLTAGE</b>	<ul style="list-style-type: none"> <li>120/277VAC</li> <li>60Hz</li> <li>Use #14 AWG wire</li> </ul>
<b>INPUTS</b>	<ul style="list-style-type: none"> <li>Diode Pulse</li> <li>#14 AWG wire</li> </ul>
<b>POWER</b>	<ul style="list-style-type: none"> <li>24VAC, 110mA</li> <li>#22 AWG wire</li> </ul>
<b>APPROVALS</b>	<ul style="list-style-type: none"> <li>Certified to CAN/CSA Std. C22.2 No. 14 &amp; No. 233</li> <li>Conforms to UL 508 &amp; 1310 Standard</li> <li>Plenum Rated UL 2043</li> <li>Meets CEC Title 24 requirements</li> <li>Meets ASHRAE 90.1 requirements</li> </ul>
<b>ENVIRONMENT</b>	<ul style="list-style-type: none"> <li>Indoors, stationary, non-vibrating, non-corrosive atmosphere and non-condensing humidity</li> <li>Ambient Operating Temperature: 32°F to 104°F (0°C to 40°C)</li> <li>Storage Temperature: -14°F to 104°F (-25°C to 40°C)</li> </ul>
<b>WARRANTY</b>	<ul style="list-style-type: none"> <li>Standard 5-years</li> </ul>

\*Patent Pending

Rev 8/24/2022

Douglas Lighting Controls