

WPP-INT - Interior Daylight Sensor for DRC

Project Name: _____
 Part Numbers: _____ Date: _____

Features

- x 0 – 65,000 lux
- x Low profile
- x 30° Tilt Lens
- x Configuration Dial
- x Plug 'N Control® out-of-the-box

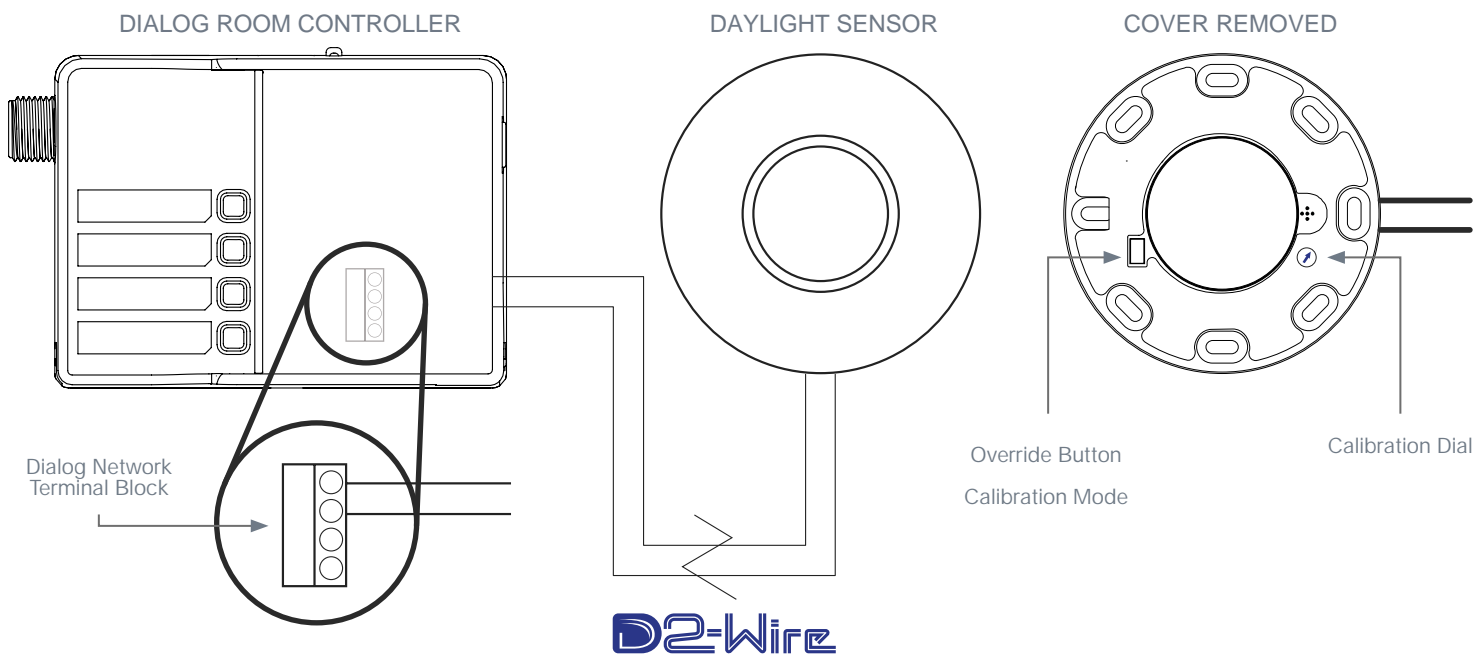


ASHRAE 90.1 Compliant

The indoor ceiling mount Daylight Sensor is an integral part of a Dialog® and Dialog® Room Controller system as it provides real-time light level input to support natural daylight harvesting. Natural Daylight Harvesting uses natural and in-room lighting to automatically provide a predetermined level of light in the room. This maximizes the use of available natural light while minimizing use of in-room lighting, thereby reducing energy consumption. A tilting lens helps direct the sensor to, or away from, specific areas.

Typical Applications: For Dialog® Room Controller, setting the light point on the Daylight Sensor is easily done with an on-board set-point dial. With only a set-point adjustment, the Dialog Room Controller system is Plug 'N Control ready right out-of-the box by connecting to the Dialog Room Controller via our simple 2-wire, nonpolarized low voltage (18/2 AWG) data/power bus, minimizing commissioning time.

PART NUMBER	DESCRIPTION
WPP-INT	Interior Daylight Sensor Single Room

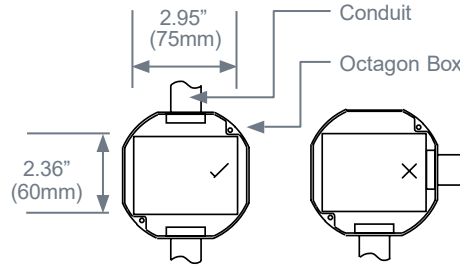
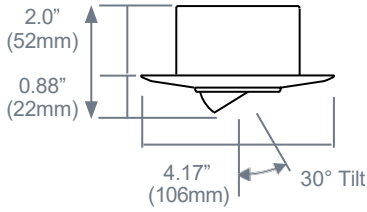


TO WLC-4150 OR DIALOG® ROOM CONTROLLER

WPP-INT - Interior Daylight Sensor for DRC

Dimensions

Inches [mm]



Dialog Ceiling Mount Sensors will fit a standard (2-1/8" deep) octagon box. The can also be attached with the included mounting ring. For octagon box installations, conduits should be attached to the sides with the larger wiring space.

Technical Details

FUNCTIONALITY	<ul style="list-style-type: none"> Natural Daylight Harvesting via closed loop control dimming Range: 0 to 65,000 lux
CURRENT DRAW	<ul style="list-style-type: none"> 10 mA
POWER REQUIREMENTS	<ul style="list-style-type: none"> Powered by the Dialog 24VAC non-polarized power and data network
APPROVALS	<ul style="list-style-type: none"> ASHRAE 90.1 Compliant
ENVIRONMENT	<ul style="list-style-type: none"> Indoor, stationary, non-vibrating, non-corrosive atmosphere and non-condensing humidity Operating temperature: 32°F to 104°F (0°C to 40°C) Storage temperature: 14° to 140°F (-25° to 60°C)
POWER	<ul style="list-style-type: none"> Powered by Dialog Room Controller via 2-wire, non-polarized low voltage (24Vac) data bus
WARRANTY	<ul style="list-style-type: none"> Standard 5-year