

WR-8121 - Toggle Switch



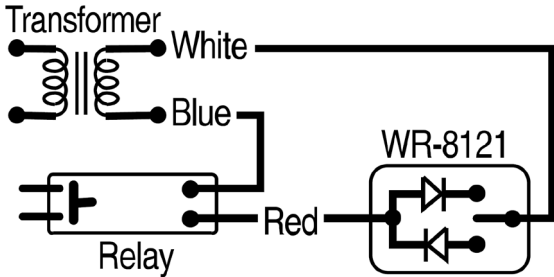
Project Name: _____
 Part Numbers: _____ Date: _____

Features

- The WR-8121 Toggle Switch provides momentary ON & OFF control.
- The WR-8121 can service a maximum of four 2-wire relays.
- Maximum wire distance: 500' (150m). For longer runs, switch fewer relays.
- Plastic switch handle supplied in Ivory color, unless noted otherwise.
- Circuit board attached to back.

Typical Applications: Mount in standard wall box. Connect to relay(s) as shown:

PART NUMBER	DESCRIPTION
WR-8121	Toggle Switch

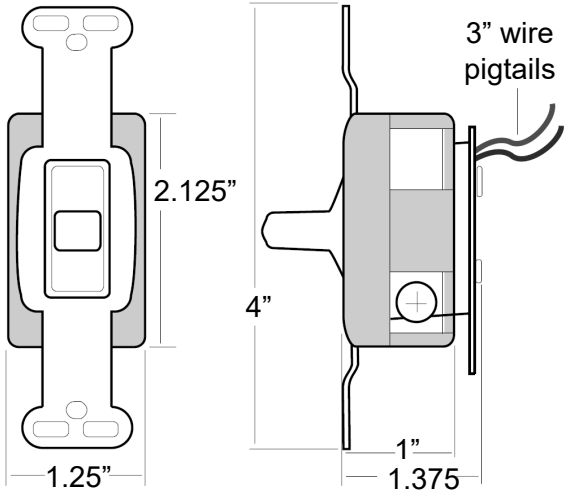


Dimensions

Inches [mm]

Plastic switch handle supplied in Ivory color, unless noted otherwise.

Circuit board attached to back.



*Patent Pending

Rev 8/24/2022

Douglas Lighting Controls