

WRC-INPUT-x - Hospital Bed Input for Room Controller



Project Name: _____
Part Numbers: _____ Date: _____

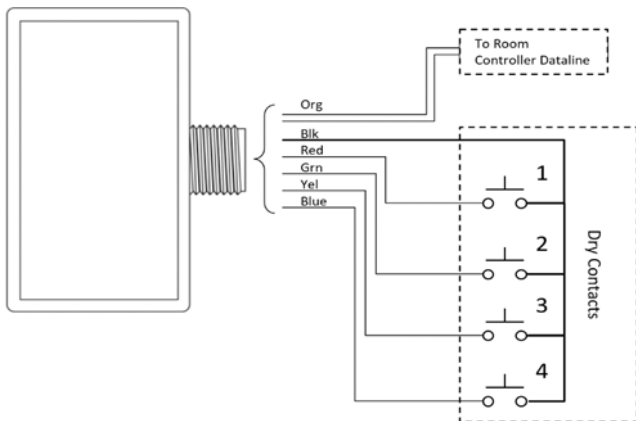
Features

- Dry Contact Input
- Compatible with WRC-4244, WRC-4222, and WLC-4150-P (LitePak)
- Factory programmed inputs
- Functions: ON, OFF, Toggle, Dim up, Dim Down
- Plenum Plastic enclosure

The Hospital Bed input device is designed to receive momentary dry contacts signal the Douglas Room Controller (WRC-4244 or WRC-4222) to operate the bedside lighting. Each device can receive up to 4 momentary contacts. The WRC-INPUT comes in 4 different variants.

1. Two Light Toggle
2. Single Light A - ON, OFF, Raise, Lower
3. Single Light B - ON, OFF, Raise, Lower
4. Four Presets (configurable via the WRC-42xx) and the WLC-4150-P (LitePak) (default: High / Med / Low / OFF)

PART NUMBER	DESCRIPTION
WRC-INPUT-A	Hospital Bed Input for WRC-42xx (Lts A & B Toggle)
WRC-INPUT-B	Hospital Bed Input for WRC-42xx (Lts A - ON, OFF, Raise, Lower)
WRC-INPUT-C	Hospital Bed Input for WRC-42xx (Lts B - ON, OFF, Raise, Lower)
WRC-INPUT-D	Hospital Bed Input for WRC-42xx (4 Presets - High / Med / Low / OFF)
WLC-INPUT-x	Custom Input for WRC-42xx and LitePak2

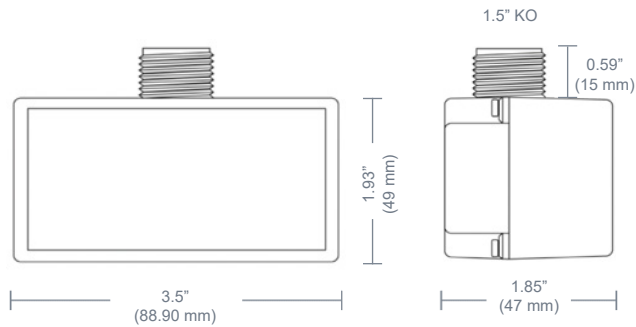


	INPUT 1	INPUT 2	INPUT 3	INPUT 4
WRC-INPUT-A	Relay 1 Toggle	Relay 2 Toggle	Relay 3 Toggle	Relay 4 Toggle
WRC-INPUT-B	Relay 1 ON	Relay 1 OFF	Dimmer 1 Raise	Dimmer 1 Lower
WRC-INPUT-C	Relay 2 ON	Relay 2 OFF	Dimmer 2 Raise	Dimmer 2 Lower
WRC-INPUT-D (default)	Preset A (High)	Preset B (High)	Preset C (Low)	Preset D (OFF)
WRC-INPUT-x	Custom*	Custom*	Custom*	Custom*

Dimensions

Inches [mm]

The device shall be mounted to an WRC-42xx, junction box or panel with a 1/2" threaded nipple.



Technical Details

FUNCTIONALITY	<ul style="list-style-type: none"> Dry Contact Input device from Hospital Bed switches for the Douglas Lighting Controls WRC-4244 & WRC-4222
DIMENSIONS	<ul style="list-style-type: none"> 3.5" x 1.93" x 1.85"
INPUT VOLTAGE	<ul style="list-style-type: none"> Low Voltage Dialog Signal
ENVIRONMENT	<ul style="list-style-type: none"> Indoors, stationary, non-vibrating, non-corrosive atmosphere and noncondensing humidity Ambient Operating Temperature: 14°F to 140°F (-10°C to 60°C) Storage Temperature: -14°F to 140°F (-25°C to 60°C)
WARRANTY	<ul style="list-style-type: none"> Standard 5-years