

# WRC-LCD9261 - LCD Touch Screen Switch Station Kit



Project Name: \_\_\_\_\_  
 Part Numbers: \_\_\_\_\_ Date: \_\_\_\_\_

## Features

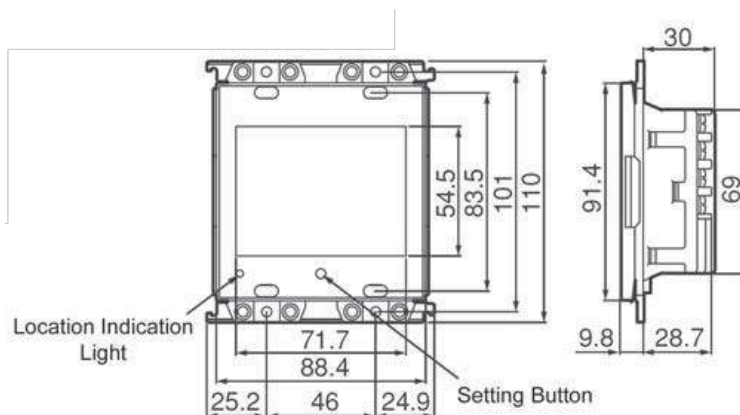
- Two-gang sized LCD switch station supports common Dialog Room Controller switching functions
- Pre-programmed and configured for use with Dialog Room Controller systems
- Kit includes 120Vac 60Hz to 24Vac transformer
- Backlight switches OFF automatically after 10 seconds of inactivity

The LCD Touch Screen Switch Station Kit is an alternative switch station for Dialog Room Controller Systems. Use the LCD in place of classroom teacher stations or office stations.

WRC-LCD9261	Kit includes: LCD, Face Plate, 120Vac Transformer
LCD	<ul style="list-style-type: none"> <li>• Rated Voltage: 200mA 24Vac (from transformer)</li> <li>• Signal Current: 15mA</li> <li>• Maximum distance between transformer and the farthest LCD switch: 300ft.</li> <li>• Applicable Wires: Power 0.9mm</li> </ul>
Transformer	<ul style="list-style-type: none"> <li>• WR-4040-120</li> <li>• 120Vac Primary</li> <li>• 24Vac Secondary</li> <li>• 40VA steady draw, 40VA pulsed draw</li> </ul>

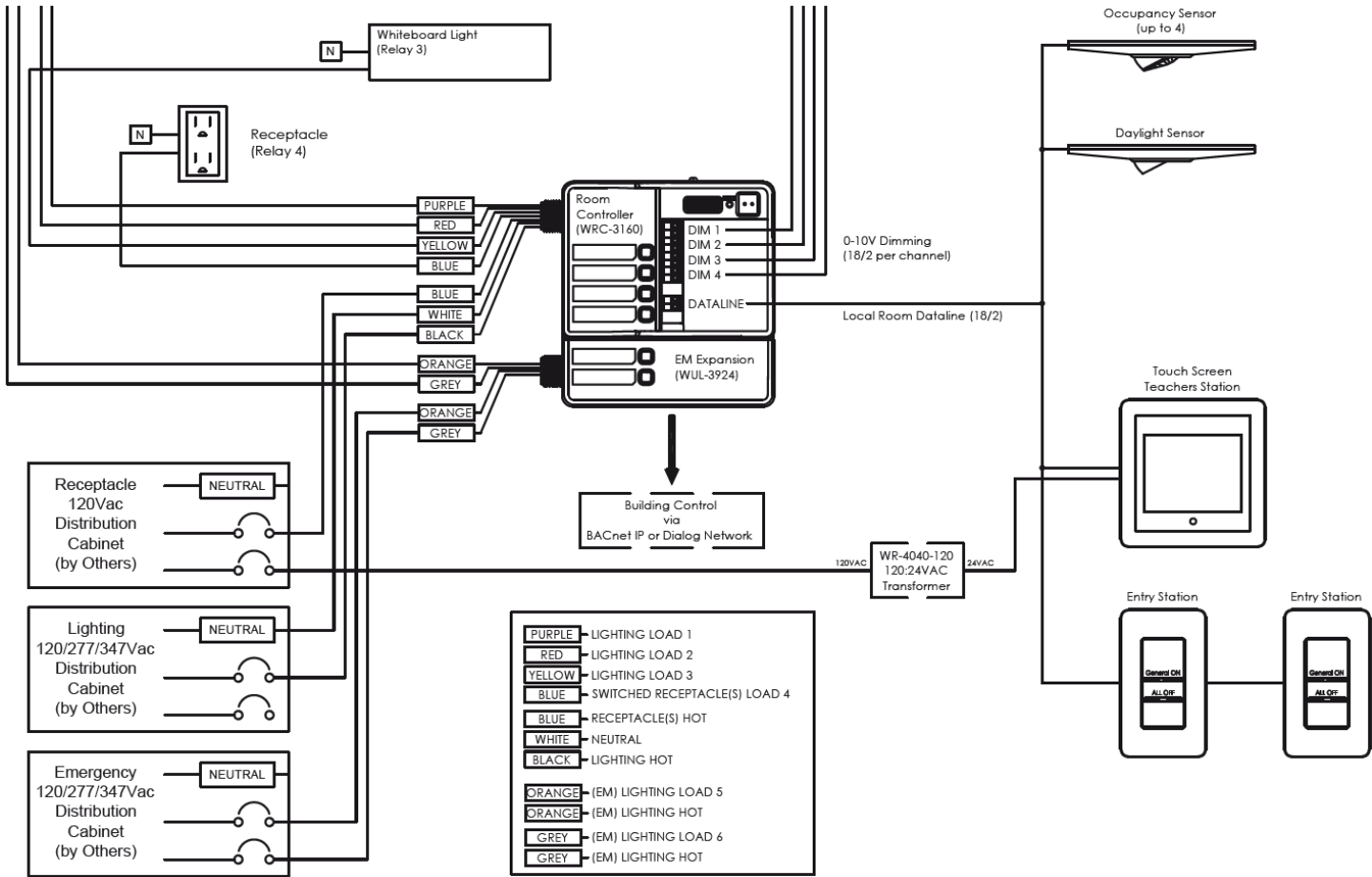
## Dimensions

Inches [mm]



WRC-LCD9261 - LCD Touch Screen Switch Station Kit

Wiring



\*Patent Pending

Rev 8/25/2022

Douglas Lighting Controls