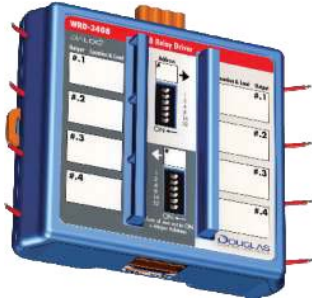


WRD-3408z - Dialog Relay Driver, 8 Outputs

Project Name: _____
 Part Numbers: _____ Date: _____



Features

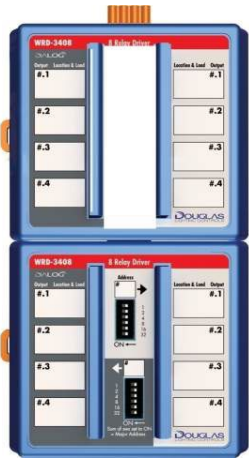
- To control standard Douglas relays with the Dialog system, use WRD-3408z relay driver.
- Dialog relay drivers are compatible with all models of Douglas relays.
 - 1) Install in relay panels and connect to relays.
 - 2) Connect data signal to driver.
 - 3) Set addresses with DIP switches built into driver.
- WRD-3408z driver has 8 wires, each wire is a unique output for Douglas relays.
- The relay driver can be signaled to switch the connected relay ON or OFF.
- The relay driver continuously senses the state of the connected relays and reports the status to the LCU.

Address DIP Switches

- 2 sets of address DIP switches. One set for the left 4 outputs and the other for the right 4 outputs.
- Set addresses such that they are unique from all others. WLC-3150 will detect and warn of duplicate addresses

Output Address

- Addresses organized by major and minor addresses.
- DIP switch sets the major address.
- One output wire for each of the 4 minor addresses.



Outputs

- 8 relay outputs.
- 1 relay per output. 2 relays maximum can be connected to an output, but they will switch together.
- Adjacent units can plug into each other to minimize wiring

Data Signal

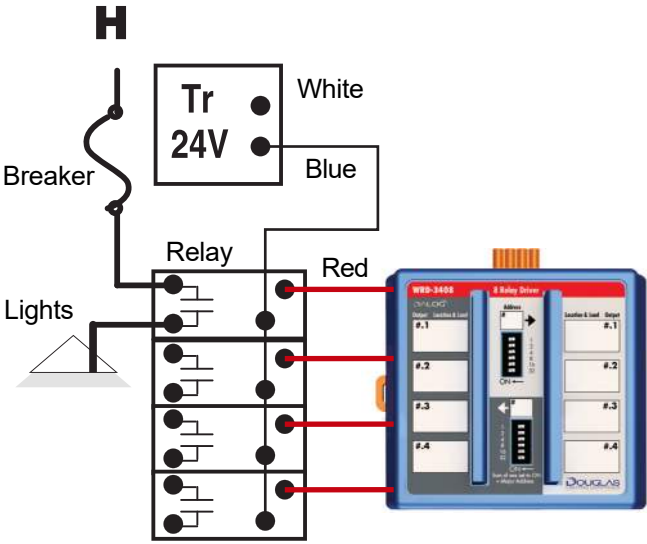
The source connection for the Dialog data signal 3mA supply.

Typical Applications: INSTALLATION & CONNECTIONS

- Install WRD-3408z into Douglas relay panels.
- The Relay Drivers can be connected to all models of Douglas relays. Connect the red relay control wire to the relay.
- Connect the local 24VAC white from the transformer to the relay driver. This provides the power required to switch the relay.
- Connect the Dialog data signal to the relay driver.
- The WRD-3408z relay driver has 2 output addresses, one for the 4 relays on the left side and one for the 4 relays on the right side. Each output address is set with a DIP switch block that sets a major part of the output address.
- In most cases each output is connected to 1 Douglas relay to give it a unique output address. Up to 2 relays can be connected to an output, however they will both switch together.

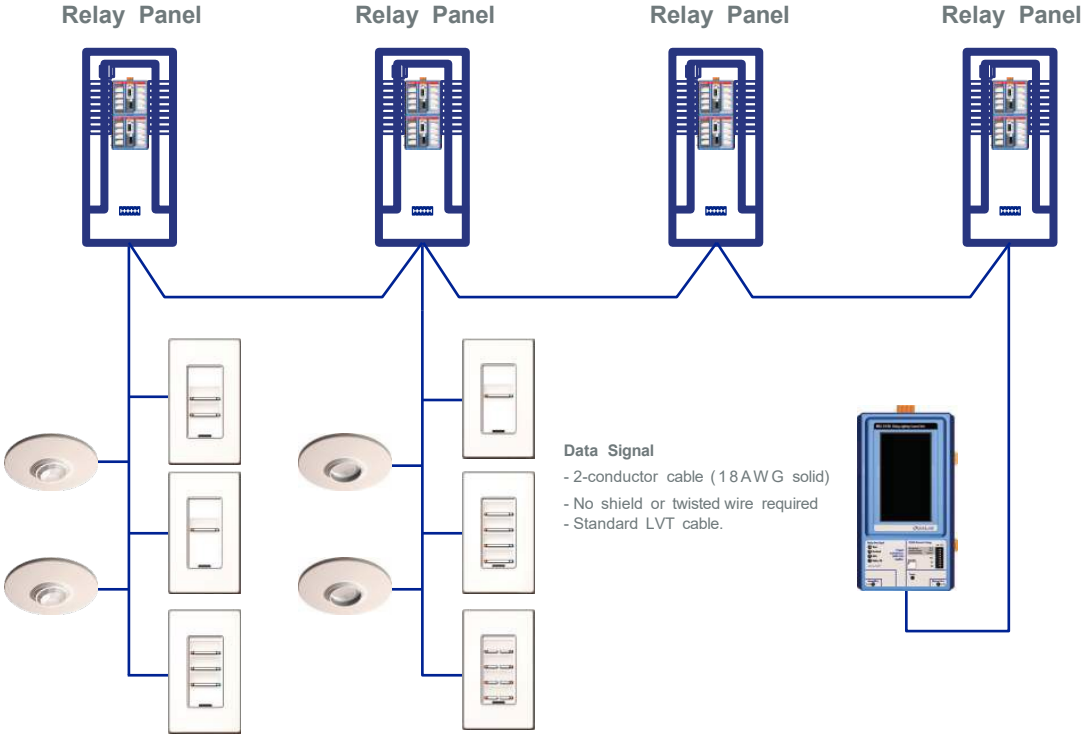
PART NUMBER	DESCRIPTION
WRD-3408z	Relay Driver, 8 Outputs, DIP Set

WRD-3408z - Dialog Relay Driver, 8 Outputs



MULTIPLE RELAY PANELS

- Most installations will have more than one relay panel. Network relay panels together with the Dialog data signal.
- Good wiring practice is to wire direct from one panel to the next with no interruptions in between. Data signals for Input Devices should always originate from a relay panel, not in between relay panels.



*Patent Pending

Rev 8/25/2022

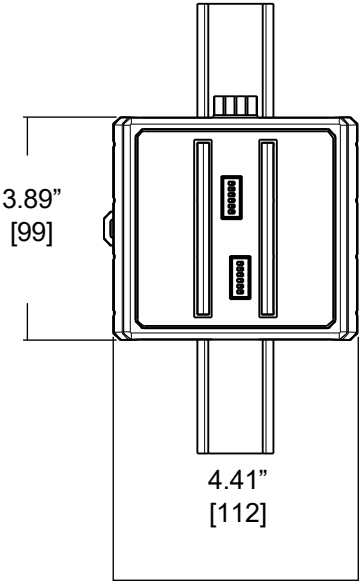
Douglas Lighting Controls

Dimensions

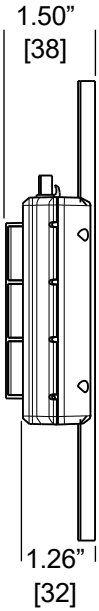
Inches [mm]

35mm
DIN Rail
Mounting

Plain View



Side View



Technical Details

INPUT VOLTAGE	<ul style="list-style-type: none"> Power from Data signal Class 2 Low Voltage device. Power rating does not include power used to switch relays.
COMMUNICATION	<ul style="list-style-type: none"> Dialog data signal, polarity insensitive Data signal draw: 3mA.
OUTPUT	<ul style="list-style-type: none"> 8 Douglas relay outputs. Connect a maximum of 2 relays to each output.
ENVIRONMENT	<ul style="list-style-type: none"> Indoors, stationary, non-vibrating, non-corrosive atmosphere & non-condensing humidity. Ambient operating temperature: 5°F to 120° F (-15° C to 50° C).
WARRANTY	<ul style="list-style-type: none"> Standard 5-years

*Patent Pending

Rev 8/25/2022

Douglas Lighting Controls