

WRD-8701 – Hardwired_Relay Direct - DIM_ON_OFF



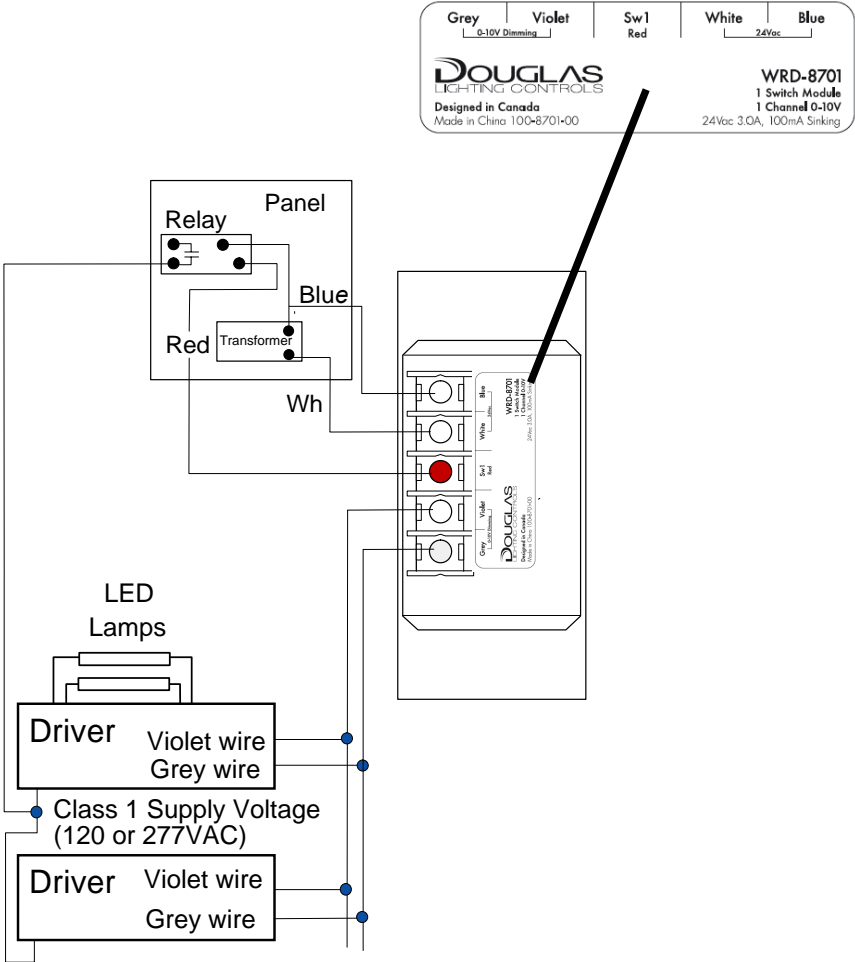
Project Name: _____
 Part Numbers: _____ Date: _____

Features

- 0-10v Dimming with ON/OFF control
- LED indicator for dimming level status
- 24VAC low voltage device
- Connects to standard 0-10V LED driver
- Face plate sold separately

Typical Applications: Connect the dimming control wires (Violet/Grey) from the LED driver to the corresponding screw terminals. Connect 24VAC to the corresponding screw terminals.

PART NUMBER	DESCRIPTION
WRD-8701	Hardwired / Relay Direct - DIM/ON/OFF



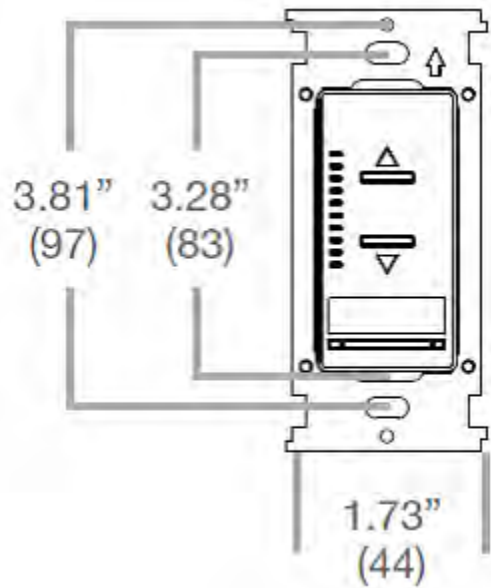
*Patent Pending

Rev 8/25/2022

Douglas Lighting Controls

Dimensions

Inches [mm]



Technical Details

INPUT/OUTPUT	<ul style="list-style-type: none"> • Two screw terminals 24Vac 3.0A • Red screw terminal for switch/relay • Two screw terminals for connecting 0-10V dimming wires (Grey/Violet) • 100mA sink current Maximum relays per switch: 3 Maximum switches on one relay: 4 maximum Wire length 300' 100M
ENVIRONMENT	<ul style="list-style-type: none"> • Indoors, stationary, non-vibrating, non-corrosive atmosphere and non-condensing humidity • Ambient operating temperature: -15 F to 140 F (-25 C to 60 C) • 100mA sink current #18awg • Max. relays on one switch: 3 • Max. switches on one relay: 4
WARRANTY	<ul style="list-style-type: none"> • Standard 5-years