

WRE-9242z - Power Failure ON Device for WR-61xx

Project Name: _____
Part Numbers: _____ Date: _____

Features

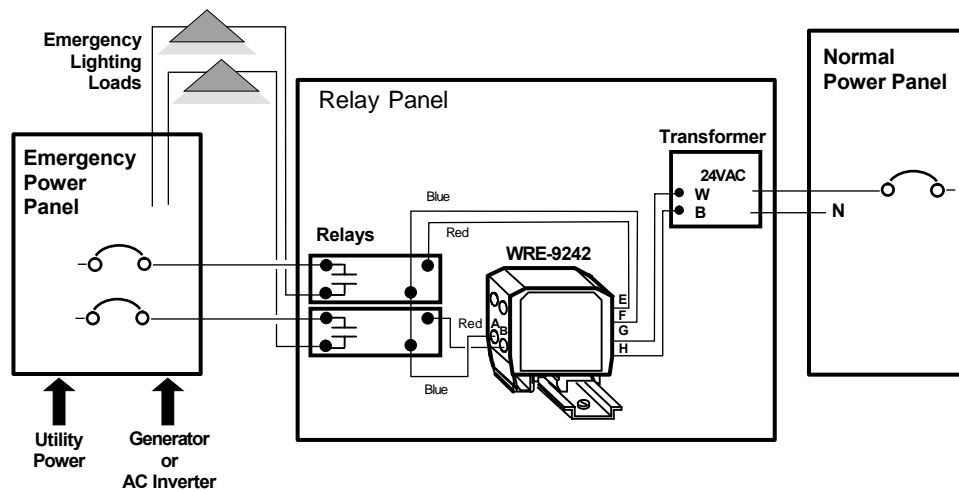
- x The Emergency Power Failure ON Device is used to switch ON emergency relays in the event of a power failure
- x Upon power failure, the device will automatically switch ON two relays that are powered by utility or generator feed. This ensures that circuits will be energized if normal power is lost.
- x The WRE-9242z switches two (2) WR-61xx series HID Latching Relays in a Douglas Lighting Control Panel
- x The Emergency Power Failure ON Device mounts inside the Class 2 section of the Lighting Control Panel

Typical Applications: The WRE-9242z mounts inside the relay panel on DIN rail. It connects directly to the 2 relays controlling the emergency lighting circuits and to the transformer as shown in the schematic below.

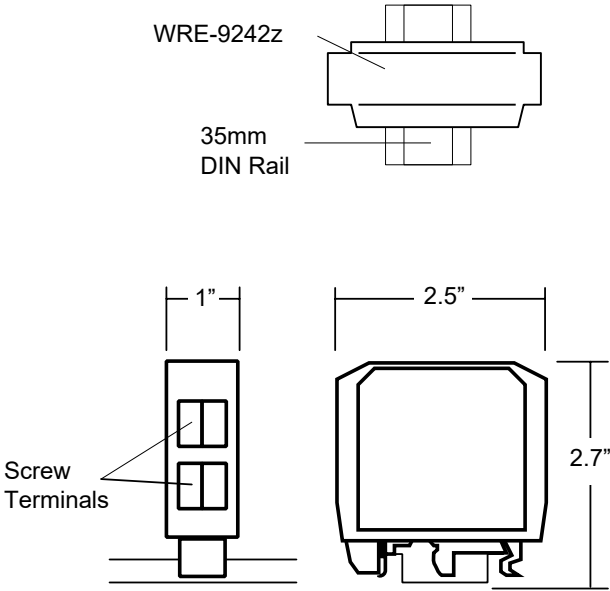
Mounting:

- x The WRE-9242z Interface is a sealed plastic package with screw wire terminals built into it.
- x The unit mounts onto standard 35mm DIN rail.
- x Locate the WRE-9242z in the relay panel Class 2 section near the relays and transformer.

PART NUMBER	DESCRIPTION
WRE-9242	Power Failure ON Device for WR-61xx Relays



Dimensions
Inches [mm]



Technical Details

INPUTS	<ul style="list-style-type: none"> Power: 24VAC 250mA Class 2 Low Voltage device.
OUTPUTS	<ul style="list-style-type: none"> WRE-9242: Two outputs provided for Douglas WR-61xx Series HID Latching Relays.
RELAY INTERFACE	<ul style="list-style-type: none"> Each of the unit's two relay outputs sends a relay ON pulse when the input 24VAC power is interrupted.
ENVIRONMENT	<ul style="list-style-type: none"> Indoors, stationary, non-vibrating, noncorrosive atmosphere, and noncondensing humidity. Ambient operating temperature: 15° to 120°F (-10° to 50°C)
WARRANTY	<ul style="list-style-type: none"> Standard 5-years

*Patent Pending

Rev 8/25/2022

Douglas Lighting Controls