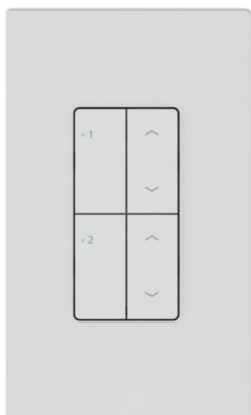


WSD-4502 - Dialog 2-Zone Dimmer Station

Project Name: _____
 Part Numbers: _____ Date: _____



*Faceplate not included

Features

- Modern Styling
- LED Status Indication
- Interchangeable keypads
- 2-Wire Dialog for Data and Power
- BT Programmable iOS App (free)
- Touchless Control via iOS Tap-to-Control App (free)
- Available in multiple Colours (White, Grey, Black, Ivory, Light Almond, Red)
- Custom Laser Etching (optional)



ASHRAE 90.1 Compliant

Dialog® switches are designed to give you flexibility to fit any design. The button can be programmed for ON only, OFF only, toggle, timer, and preset activation. Other stations in the series have additional functions such as Raise and Lower. These Dialog data line switches also come in multiple colors to match the room design (white, grey, black, ivory, light almond and red).

Typical Applications: Dialog switches connect to the network bus via the 2-wire Dialog Dataline connection for transmission of data and power. Once powered they can be configured via the iOS configuration App to set the target and function of the buttons.

PART NUMBER	DESCRIPTION
WSD-4502-__	2-Zone Dimmer Station (ON/OFF/Toggle/Timer/Preset/Raise/Lower)
KPA-4502-__-C	2-Zone Keypad, Custom Engraving

Ordering Info

WSD-4502

-

Model

Color

- W White
- G Grey
- B Black
- I Ivory
- LA Light Almond
- R Red



Example:

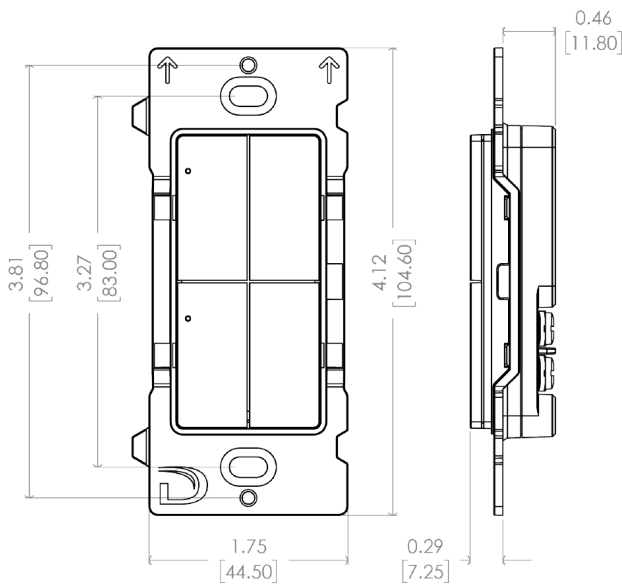
WSD-4502-W

2-Zone Dialog Dimmer Station, White

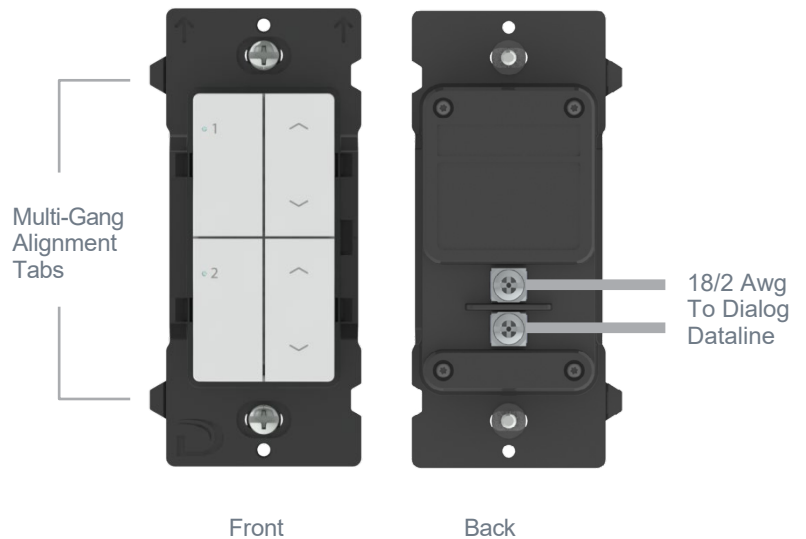
WSD-4502 - Dialog 2-Zone Dimmer Station

Dimensions

Inches [mm]



Installation



*terminal screws are to be hand tightened to a maximum torque of 6in-lbs

IOS DEVICE CONFIGURATION APP

The 4000 Series switch stations allow for programming via any iOS. Using the app and NFC, simply “Tap” the face of the wall station to bring up its programming to adjust any of it’s settings. Alternatively, the app will search the local area and list the connectable devices. Each station and button allow for custom labeling to be used in the Tap-to-Control app. With a network key, all settings are secured from tampering.

If an end user is setup with the network key, they will be able to use the “Tap-to-Control” to create a connection to the switch for touchless control.

iOS: Dialog 4000 Programmer



iOS: Dialog 4000 Tap-to-Control



Technical Details

FUNCTIONALITY	<ul style="list-style-type: none"> • 2-Zone Programmable Dialog Dimmer Switch • Toggle, ON, OFF, Preset Activation, Raise, Lower, Timer • Target: Individual, Groups, Presets (Output, Mode Trigger, Behaviour Trigger) • 2-Wire Dialog • LED Status indication
DIMENSIONS	4.12" x 1.75" x 0.75" (H x W x D) - Installs in standard gang wall boxes
INPUT VOLTAGE	Dialog Dataline (24VAC)
INDICATORS	Status, Standby Locator, Timer Expiration, Error
ENVIRONMENT	<ul style="list-style-type: none"> • ASHRAE 90.1 Compliant • California Energy Commission Title 24 & NYLL 48 Compliant • FCC Compliant
APPROVALS	<ul style="list-style-type: none"> • Indoor, stationary, non-vibrating, non-corrosive atmosphere and non-condensing humidity • Operating temperature: 14°F to 140°F (-10°C to 60°C) • Storage temperature: -14°F to 140°F (-25°C to 60°C)
WARRANTY	<ul style="list-style-type: none"> • Standard 5-years