

## WSR-87xx - Switches – 8700 Series



Douglas Lighting Controls 8700 series light switches provide control over facility lighting via momentary relay-direct functionality. 8700 series switches are used in small to medium sized applications that use Douglas Lighting Controls LitePak, small or satellite relay panels and where straightforward lighting control functionality is required. 8700 switches are easily configured into a system that uses Diversa low voltage occupancy sensors.

The 8700 switch provides control over relays through a low voltage diode pulse that is sent along the switch signal leg when the momentary switch is pushed. This pulse will open or close the relay, which in-turn controls the light(s). The switches can be connected to a relay in: one-to-one, many-to-one, one-to-many configuration, and with Diversa sensors.

8700 series switches are available with 1, 2, 3, 4 buttons in addition to a 0 -10V dimmer with a momentary ON/OFF button. Switches are available in White, Ivory and Grey. LEDs indicate switch status: Orange (ON) or Blue (OFF). Label windows are provided. Labels can be printed and installed at the factory when requested at the time of your order.

When ordering switches, be sure to order faceplates as they are not included with the switch. Screwless faceplates are available in White (1- 6 gang), Ivory (1- 6 gang), and Grey (1 & 2 gang). Stainless Steel faceplates with visible mounting screws are available in 1- 6 gang configurations.

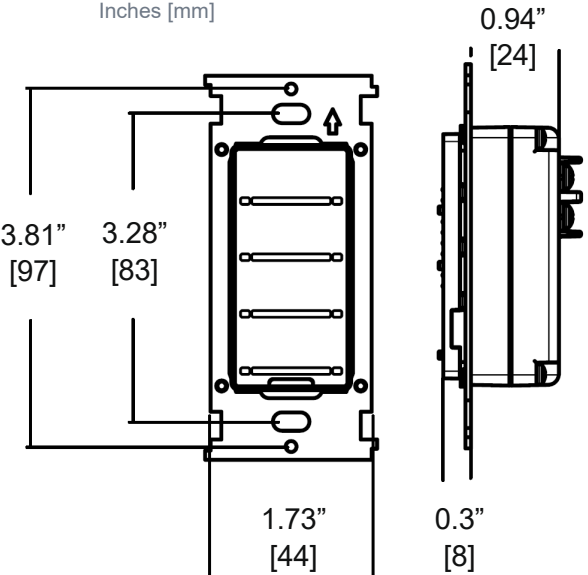
### Typical Applications: Wiring Configurations

An 8700 series switch can be combined with a Diversa occupancy sensor to control the same load. The switch and sensor are connected to the same relay. The load is then controlled by whichever device last actioned (i.e. if the switch button is pressed to switch lights OFF, then the lights switch OFF. If the switch button is not pressed when leaving the room, the occupancy sensor will turn the lights off.)

	1-BUTTON SWITCH	2-BUTTON SWITCH	3-BUTTON SWITCH	4-BUTTON SWITCH	0-10V / 1-BUTTON DIMMER SWITCH
White	WSR-8711	WSR-8712	WSR-8713	WSR-8714	WRD-8701
Grey	WSR-8711G	WSR-8712G	WSR-8713G	WSR-8714G	WRD-8701G
Ivory	WSR-8711IV	WSR-8712IV	WSR-8713IV	WSR-8714IV	WRD-8701IV
	24Vac 3.0A #18 AWG Max. relays on one switch: 3 Max. switches on one relay: 4				24Vac 3.0A 100mA sink current #18AWG Max. relays on one switch: 3 Max. switches on one relay: 4
	Environment Indoors, stationary, non-vibrating, non-corrosive, and non-condensing atmosphere Ambient operating temperature 0°C to 50°C (32°F to 122°F)				

WSR-87xx - Switches – 8700 Series

Dimensions



Wire Distance Chart

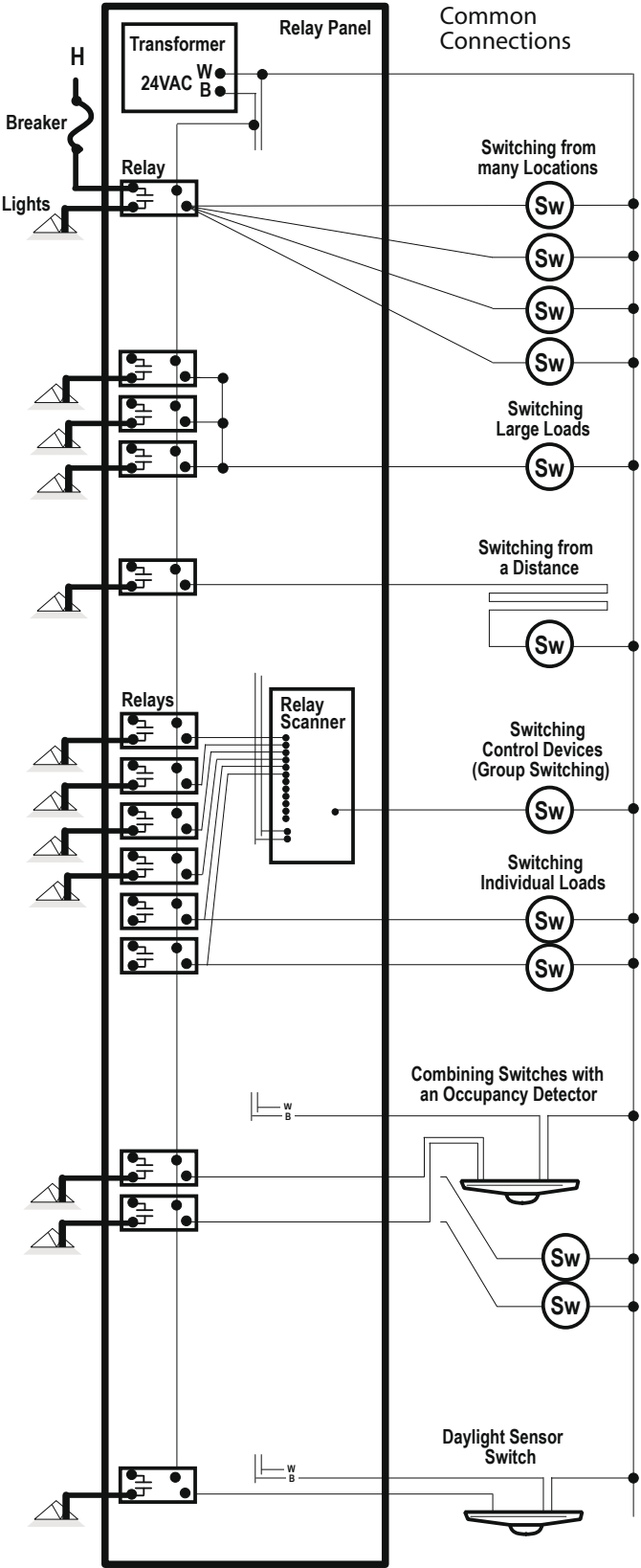
Transformer 24VAC W B

White

Red

One-way Measurement

Number of Relays per Switch	Wire Length One way measure in feet (meters)	Wire Gauge American Wire Gauge
3.0A rated switches	1	2000 (600) 18 AWG
	2	1500 (450) 18 AWG
	3	1000 (300) 18 AWG



\*Patent Pending

Rev 8/25/2022

Douglas Lighting Controls