

WTP-10xx - Current Limiting Panels

Project Name: _____
 Part Numbers: _____ Date: _____



Features

- NEMA 1 enclosure with hinged locking cover. Surface or flush mounted.
- One terminal provided for each circuit breaker for neutral wire to output circuit if needed.
- One terminal with 2 inputs provided for every 2 circuit breakers for output circuit ground wires if needed.
- Ampere rating of breaker supplying circuit determines energy usage.
- Normal or emergency circuit breaker panel. Can be single phase or three phase, 120VAC - 277 VAC.
- Up to 15 circuit breakers, each supplying a track lighting circuit.
- Breaker rating from 0.5 Amp to 16 Amp output.
- Ampere rating, rather than lineal footage of track, determines energy usage.
- Circuit breaker ampere ratings available include: 0.5, 1, 2, 3, 4, 5, 6, 8, 10, 12, 13, 15 and 16 Amp.

Most State Energy Codes require an energy deduction for each lineal foot of track lighting installed. This may restrict the installation of other lighting fixtures for this space.

TrakPak Current Limiting Panels are designed to reduce the amperage available on electrical circuits feeding track lighting systems.

TrakPak WTP-10xx Current Limiting Panels are available with up to 15 circuit breakers of various amperage capacities from 0.5 to 16 amperes, allowing flexibility of design in total watts per square foot calculations.

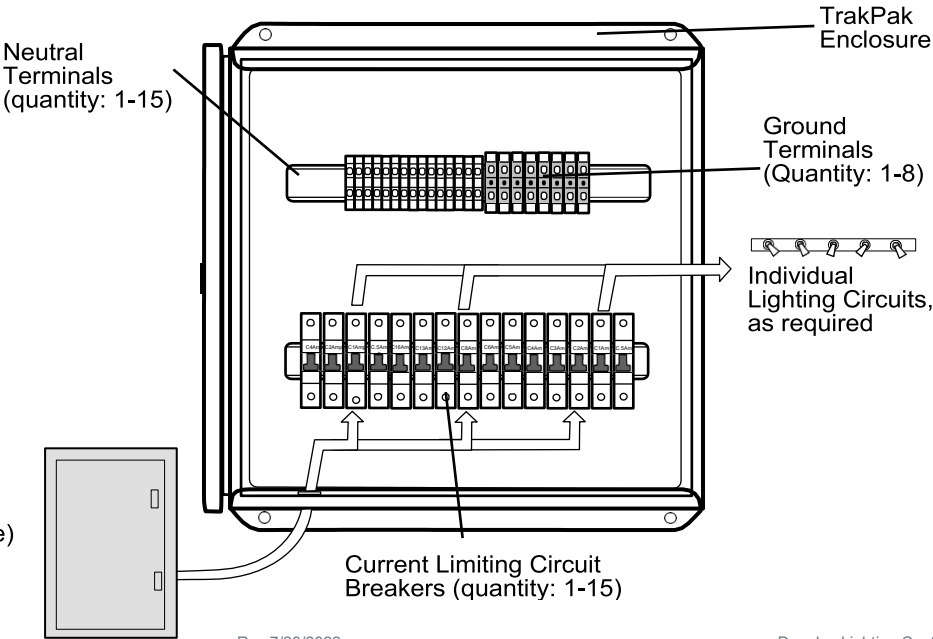
Typical Applications: A solution is to install the TrakPak Panel. It has supplemental step-down breakers which provide reduced current to the track circuits. The volt-ampere rating of the breaker can be used instead of the lineal feet of the track lighting circuit, thereby reducing the energy deduction.

PART NUMBER	DESCRIPTION
WTP-10xx	TrakPak Circuit Limiting Panel

xx = number of breakers

California 2005 Title 24, Section 130 (c) 3:
 Luminaire wattage incorporated into the installed lighting power shall be determined in accordance with the following criteria...
 3. The wattage of line-voltage lighting track and plug-in busway which allows the addition or relocation of luminaires without altering the wiring of the system shall be the volt-ampere rating of the branch circuit feeding the luminaires ...

The TrakPak Current Limiting Panel reduces the calculated wattage of track lighting circuits by providing lower-current-rated feeds.



*Patent Pending

Rev 7/20/2022

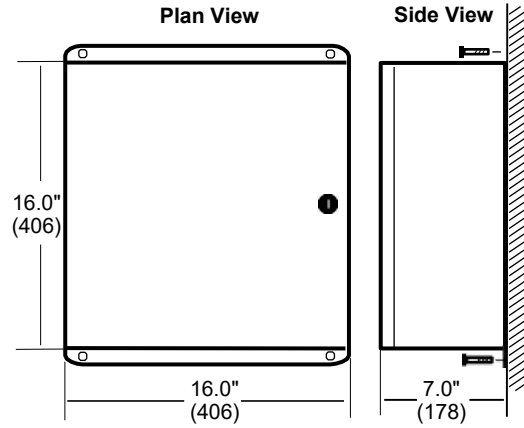
Douglas Lighting Controls

WTP-10xx - Current Limiting Panels

Dimensions

Inches [mm]

- Surface or flush mount NEMA 1 enclosure
- Bolt enclosure to wall using mounting holes on top and bottom brackets.



Technical Details

ENCLOSURE	<ul style="list-style-type: none"> • The enclosure, which meets NEMA 1 Standard, is made of steel coated with ANSI/ASA 61 Grey. Coating is heat fused polyester epoxy • Hinged door with lock.
INTERIOR	<ul style="list-style-type: none"> • Interior insert is made from aluminum, steel and plastic parts. • Insert has DIN rail in center for mounting circuit breakers. • One neutral terminal for each installed circuit breaker. • One ground terminal for every 2 installed circuit breakers.
CAPACITY	<ul style="list-style-type: none"> • Available with quantities of 1 to 15 circuit breakers • Circuit breakers, which are used to reduce the line amperage, can each be from 0.5 Amp to 16 Amp capacity.
APPROVALS	<ul style="list-style-type: none"> • UL 508. • EEMC. NEMA 1.
ENVIRONMENT	<ul style="list-style-type: none"> • Environment: indoors, stationary, non-vibrating atmosphere and non-condensing humidity. • Ambient operating temp: 15° F to 120° F (-25° C to 50° C).
WARRANTY	<ul style="list-style-type: none"> • Standard 5-years