

# Universal Douglas Bluetooth® Integrated High-Bay Sensor

Project Name: \_\_\_\_\_  
Part Numbers: \_\_\_\_\_ Date: \_\_\_\_\_



## Features

- High Bay Occupancy Sensor
- Controls standard and DIM-to-OFF AUX power LED Drivers
- Bluetooth wireless technology
- Deck level configuration
- Compatible with the UniversalDouglas Bluetooth Ecosystem



ASHRAE 90.1-2016

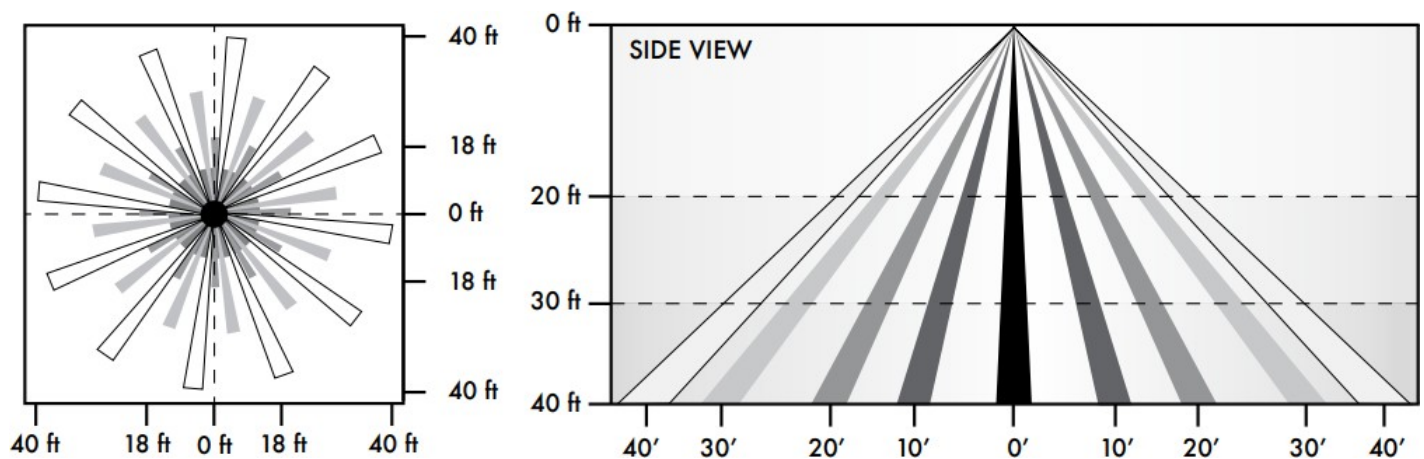
The UniversalDouglas Bluetooth® Intelligent High-Bay Sensor enables networking of luminaires in the Douglas Bluetooth wireless lighting control ecosystem, which includes wall switches, sensors, and load controllers.

**Typical Applications:** The High-Bay sensor mount in a ½” electrical knockouts, additional options include direct plug in to the RHBB family of round high-bays or for side-mount installation directly into standard ½ inch electrical knockouts. are intended for use with 0-10V LED drivers providing auxiliary power and DIM-to-OFF capability, like the UniversalDouglas PWX series.

The Universal Douglas Bluetooth system is ASHRAE 90.1 2016, Title 24, and WSEC compliant. In conjunction with the Douglas BT ecosystem, it can provide all the necessary control schemes for Demand Response, Occupancy (Occupancy, Vacancy, Partial ON, Partial OFF), Primary & Secondary Daylight Harvesting.

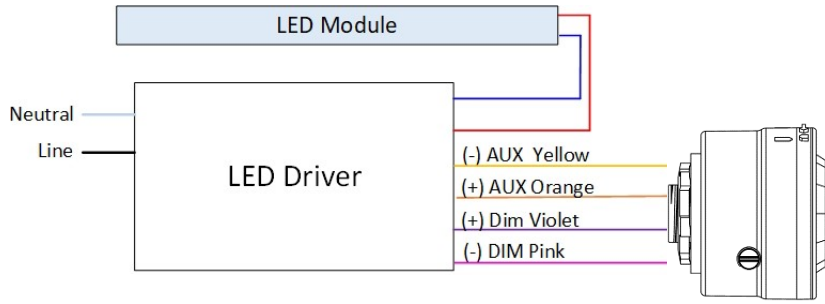
PART NUMBER	DESCRIPTION
BT-IHBS-A	Sensor with 4-Wire Leads
BT-IHBS-AL23	Sensor with 4-Wire Leads and 90° “L” bracket
BT-IHBS-B	Sensor with 3-Wire Harness/plug (For RHBB)

## Coverage



# Universal Douglas Bluetooth® Integrated High-Bay Sensor

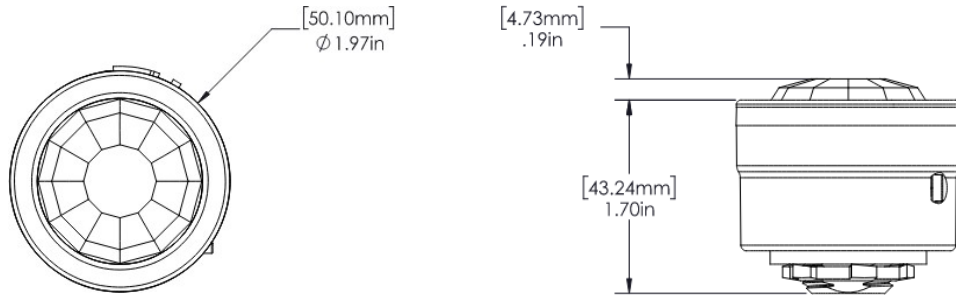
## Wiring Diagram



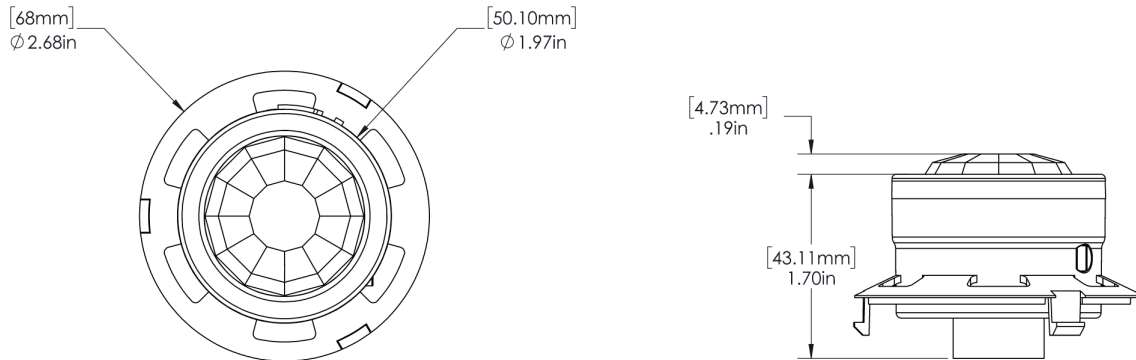
## Dimensions

Inches [mm]

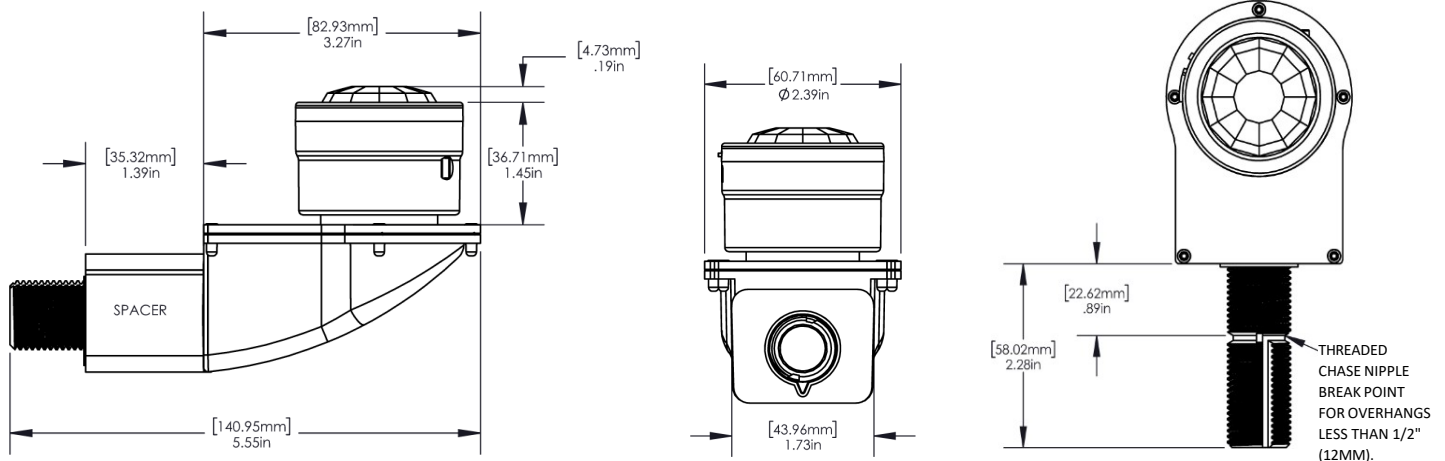
### BT-IHBS-A



### BT-IHBS-B



### BT-IHBS-AL23



\*Patent Pending

Rev 1/26/2023

Douglas Lighting Controls

# Universal Douglas Bluetooth® Integrated High-Bay Sensor

## Technical Details

PART NUMBER	BT-IHBS-A & BT-IHBS-AL23	BT-IHBS-B
FUNCTIONALITY	<ul style="list-style-type: none"> <li>0-10V Dimming with DIM-to-OFF (LED Driver dependent)</li> <li>Occupancy, Vacancy, Partial ON, &amp; Partial OFF</li> <li>Adjustable Occupancy Timeout: 5 to 90 minutes</li> <li>Primary &amp; Secondary Daylight Harvesting (CLC)</li> <li>Commissioning via BTCC App on the iTunes Store</li> <li>Listed for emergency lighting control when used on a dedicated emergency power bus</li> <li>UL924 certified devices for Emergency Fixtures</li> </ul>	
OUT OF THE BOX OPERATION	<ul style="list-style-type: none"> <li>Unassociated BT-IHBS will operate on an occupancy cycle with 20-minute timeout with 100% occupied and 0% unoccupied</li> <li>After power up the unit must be allowed 1 minute for PIR warmup. Movement triggers during this time frame are ignored</li> <li>The unassociated device will not indicate PIR detection by flashing the green LED instead it will blink at 1Hz indefinitely</li> </ul>	
WIRING	20AWG 18" Harness	6" Harness w/ IP65 plug (for RHBB fixtures)
INPUT VOLTAGE	<ul style="list-style-type: none"> <li>12VDC; Power Draw: 0.25W</li> </ul>	
WIRELESS RANGE	<ul style="list-style-type: none"> <li>150ft Clear line of sight, 50ft through standard walls</li> <li>Distances may vary based on location and environment</li> <li>Additional devices may be required at time of commissioning to ensure Bluetooth network integrity</li> </ul>	
NOTIFICATION	<ul style="list-style-type: none"> <li>LED indicator for commissioning</li> <li>Flashes fixture to confirm device selection for commissioning</li> </ul>	
DIMMING	<ul style="list-style-type: none"> <li>0-10V dimming, capable of sinking up to 25mA</li> <li>Typical use is with single channel 0-10V LED drivers providing auxiliary output power and DIM-to-OFF capability</li> </ul>	
MOUNTING	<ul style="list-style-type: none"> <li>1/2" Knockout</li> <li>Must be installed outside the luminaire's metallic wiring enclosure and powered with a Class 2 circuit using Class 2 wiring methods</li> </ul>	<ul style="list-style-type: none"> <li>Rotates into RHBB High-Bay Fixture</li> </ul>
CERTIFICATIONS	<ul style="list-style-type: none"> <li>UL916, UL924</li> <li>UL8750, UL924</li> <li>ASHRAE 90.1 2016</li> <li>Title 24</li> <li>WSEC</li> </ul>	
ENVIRONMENT	<ul style="list-style-type: none"> <li>Damp Location use, Ingress Protection Rating: IP65</li> <li>Operating temperature: -40°F to 122°F (-40°C to 50°C)</li> <li>Storage temperature: -40°F to 158°F (-40°C to 70°C)</li> </ul>	
WARRANTY	<ul style="list-style-type: none"> <li>Standard 5-year warranty</li> </ul>	