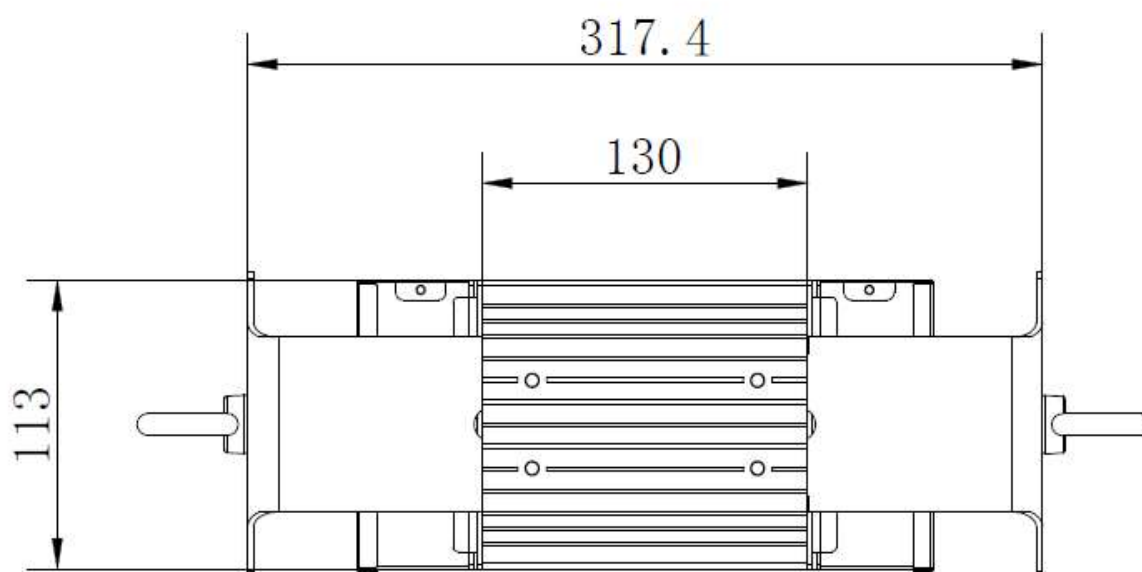


Battery Chart

Chemistry	Compliant	Pack Capacity	Max Load for 90min	Battery voltage	Recharge time
LiFePO4	RoHS	9000mAH	30W	9.6V	36Hrs

Battery housing Mechanical data



IMPORTANT SAFE PRACTICES

PLEASE READ CAREFULLY AND FOLLOW ALL INSTRUCTIONS FOR YOUR OWN SAFETY

Important : An un-switched AC power source of 100V AC to 277V AC is required.

This device is designed for use in fixtures listed for dry and damp locations.

CAUTION: Make sure all electrical connections conform to the National Electrical Code and all applicable local regulations.

CAUTION: Do not let power supply cords touch hot surfaces.

CAUTION: Do not mount near gas or electric heaters.

CAUTION: Battery is rechargeable NiCd or LiFePO4 type and must be recycled or disposed of properly .

Do not use this emergency driver with accessory equipment other than recommended by manufacturer;

Do not use this emergency driver for other than intended use.

Failure to follow this may cause an unsafe condition. Servicing should only be performed by qualified service personnel.

Equipment should be mounted in locations and at heights where it will not readily be subjected to tampering by unauthorized personnel.