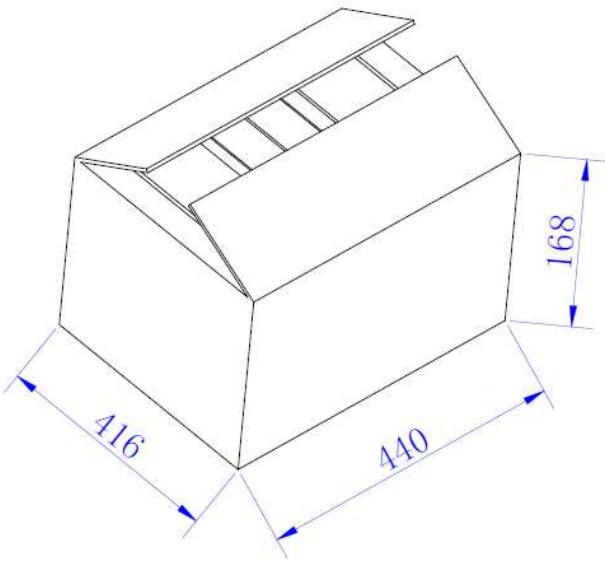


Package information



| | |
|--------------|-------------------|
| Size | 440 x 416x 168 mm |
| Number | 16pcs |
| Net Weight | 14Kg |
| Gross Weight | 15Kg |

Files revision history

| Revision data | Version No | Content | Make | Check | Approval |
|---------------|------------|---------|------|-------|----------|
| | | | | | |
| | | | | | |
| | | | | | |