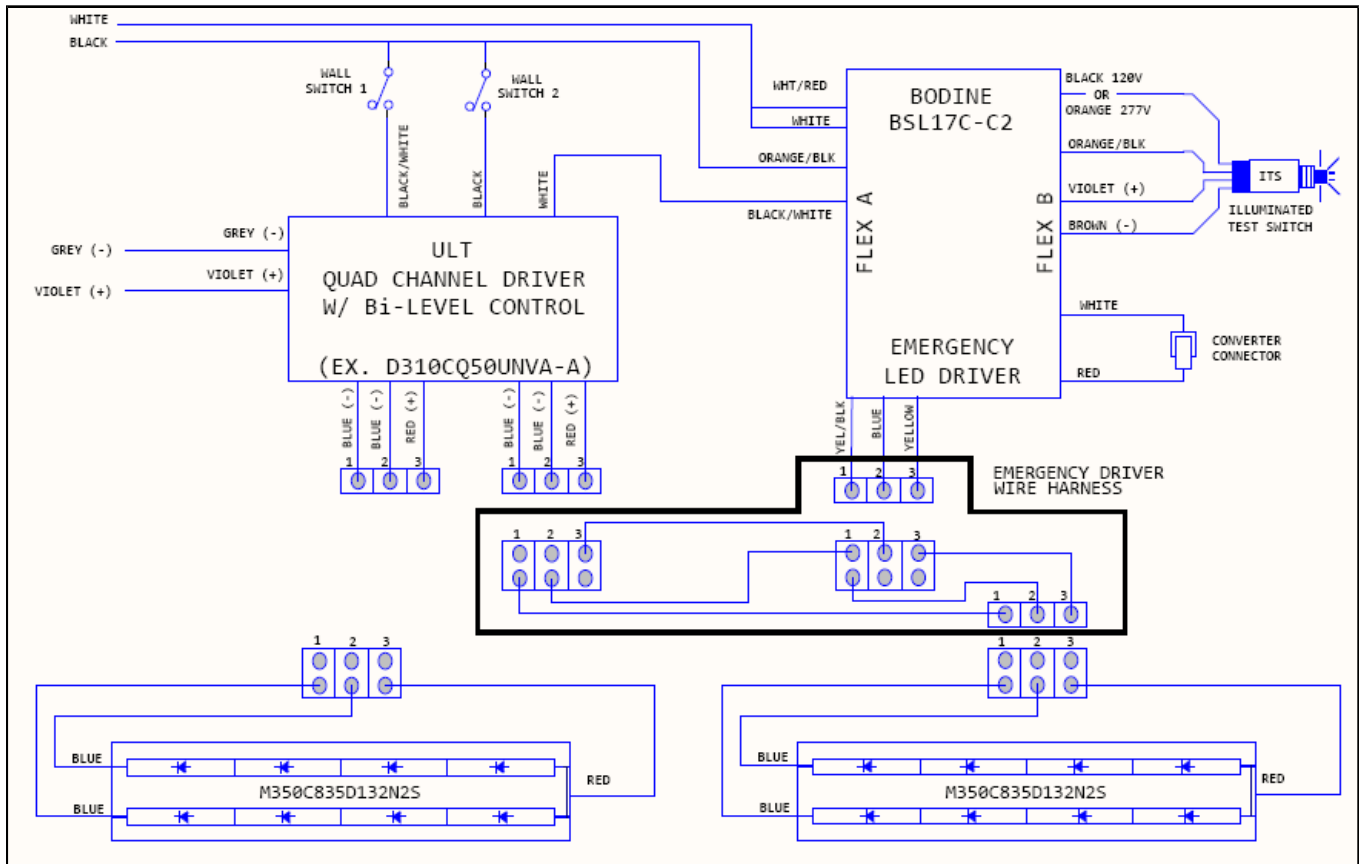


Universal Douglas Driver Application Note: Emergency LED Drivers w/ Bi-Level Switch Dimming Drivers

The following wiring diagrams are only applicable to Universal Douglas LED drivers that incorporate switch dimming control capabilities when connected with the Bodine BSL17C-C2 and BSL310 Emergency LED Drivers.

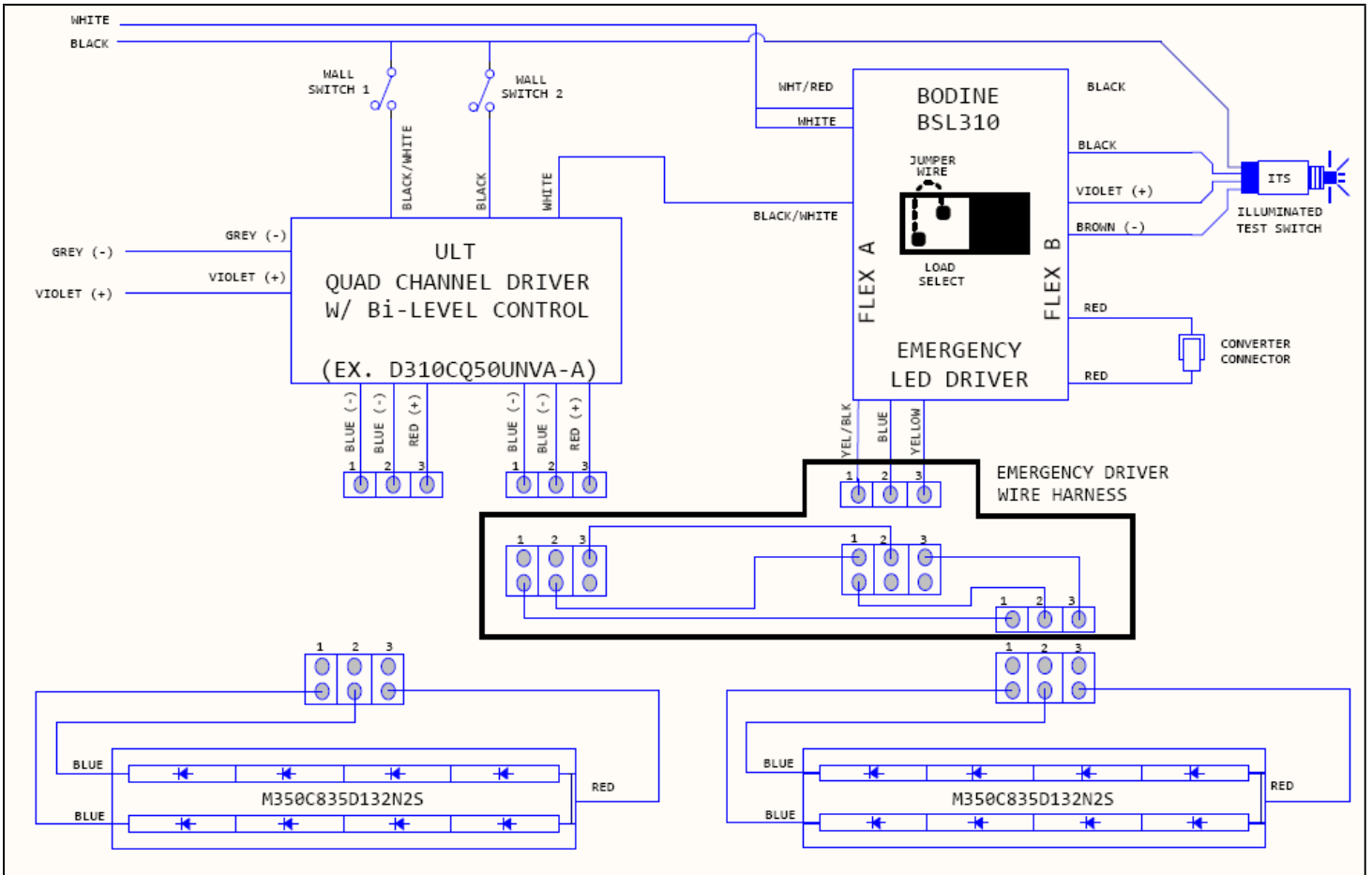
Bi-Level switch dimming drivers have two “Hot” leads and a single neutral lead for input power connections. When either one of the switches is closed the driver provides a percentage of the full output power, typically 50%. When both switches are closed the output power is 100%. Because of the two “Hot” leads a special wiring connection is required to maintain this level of control when connected to an emergency LED driver. The wiring Diagram below should be used with this application.

Connection with the BSL17C-C2



For further assistance or ordering information please contact Universal Lighting Technologies @ 1-800-BALLAST or visit our website at <http://www.universaldouglas.com/>

Connection with the BSL310



For detailed information about the LED Driver performance, please check the corresponding specification sheet.