

Universal Douglas System Application Note: Slimline Module Series Wiring

Purpose:

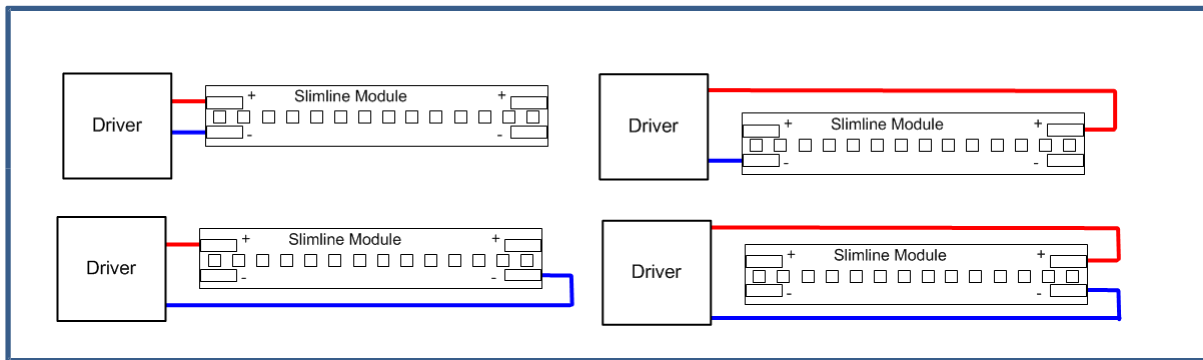
Universal Douglas Slimline modules are often (but not always) connected in a series configuration. The multiple connectors provides the fixture manufacturer a variety of options for configuring the wiring of these systems.

These modules have both two “+” terminals and two “-” terminals. The “+” terminals are electrically connected to each other, as are the two “-” terminals. This allows for a variety of wiring connections that are electrically equivalent to be used, depending on which method works best for the application.

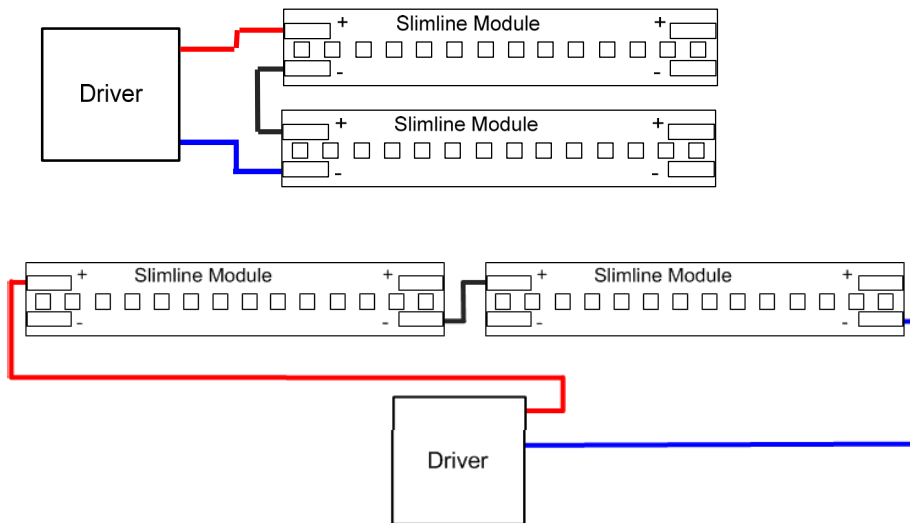
The equivalent diagrams shown below will all provide an electrically equivalent method to connect the driver to the module.

Note: Module series voltage must be within the driver’s rated voltage range.

Equivalent Wiring Methods

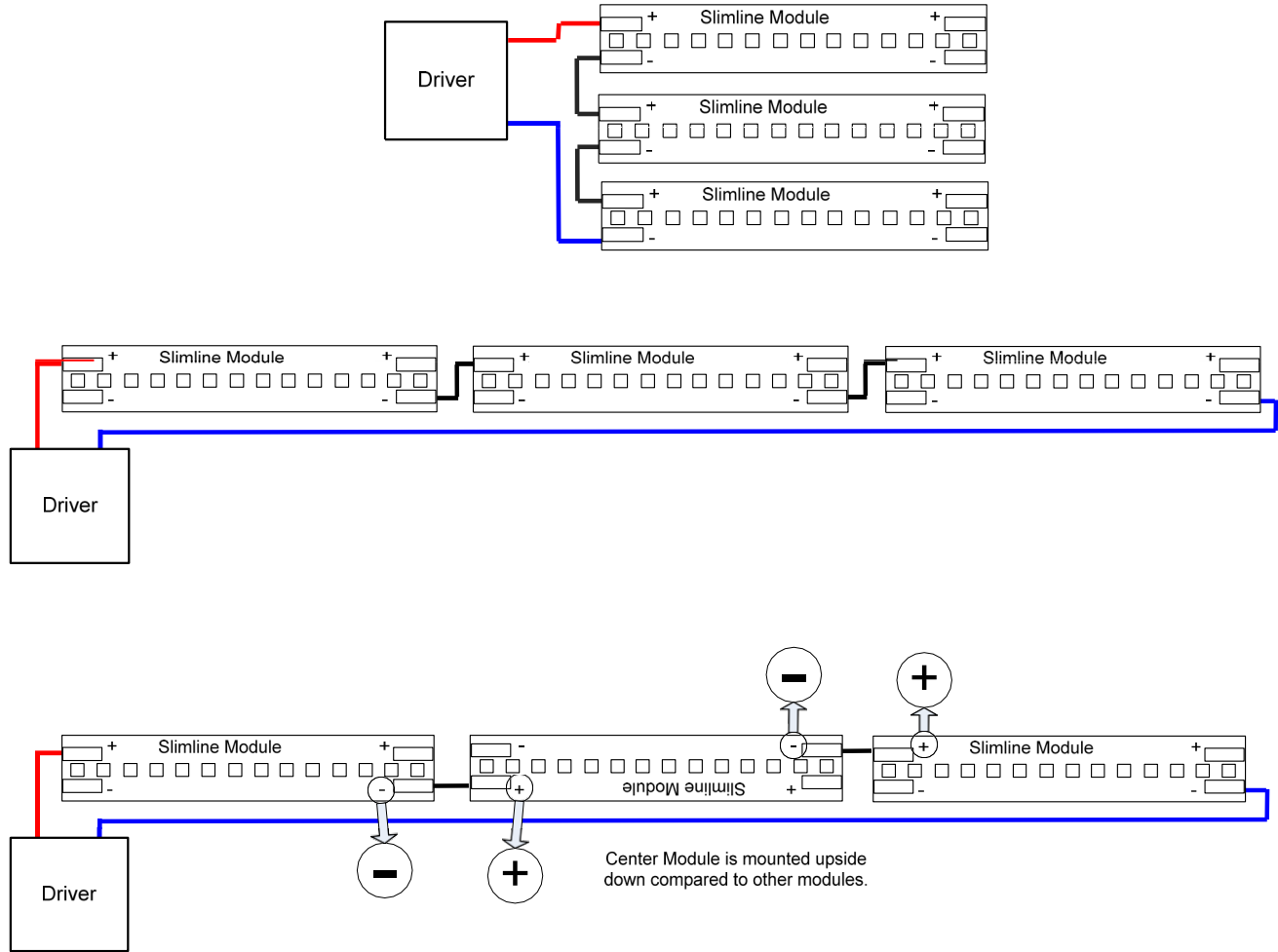


Two Modules connected in series (not all combinations shown).



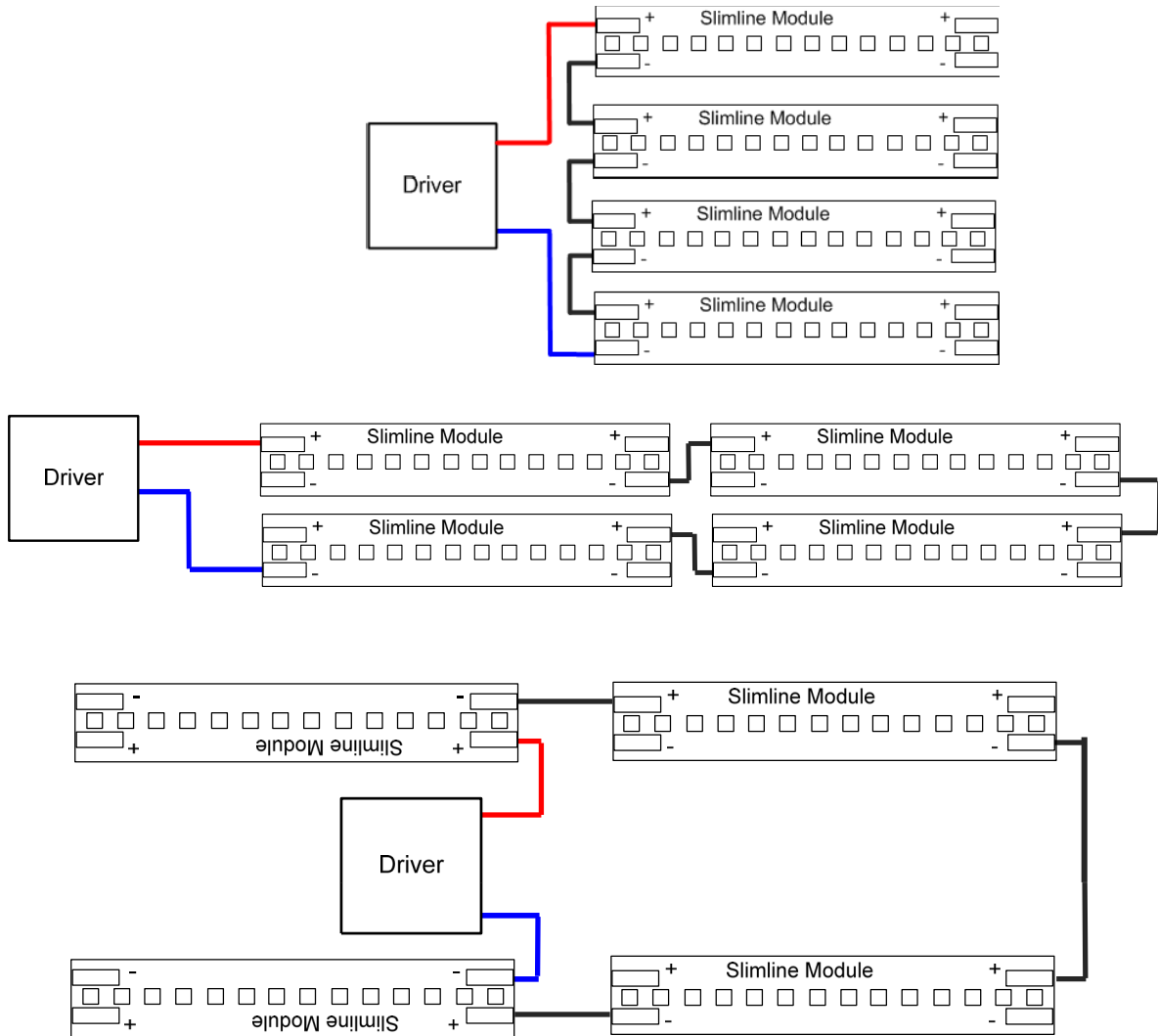
For further assistance or ordering information please contact Universal Lighting Technologies @ 1-800-BALLAST or visit our website at <http://www.universaldouglas.com/>

**Three Modules connected in series.
(Not all combinations shown)**



When connecting modules in series, the red lead from the driver connects to the "+" terminal of the first module. The "-" terminal of the first module is connected to the "+" terminal of the next module in line. This pattern continues with the "-" terminal of the last module connected to the blue lead of the driver.

**Four Modules connected in series.
(Not all combinations shown)**



Note: Two modules on the left installed upside down compared to the other two modules.

When connecting modules in series, the red lead from the driver connects to the “+” terminal of the first module. The “-” terminal of the first module is connected to the “+” terminal of the next module in line. This pattern continues with the “-” terminal of the last module connected to the blue lead of the driver.