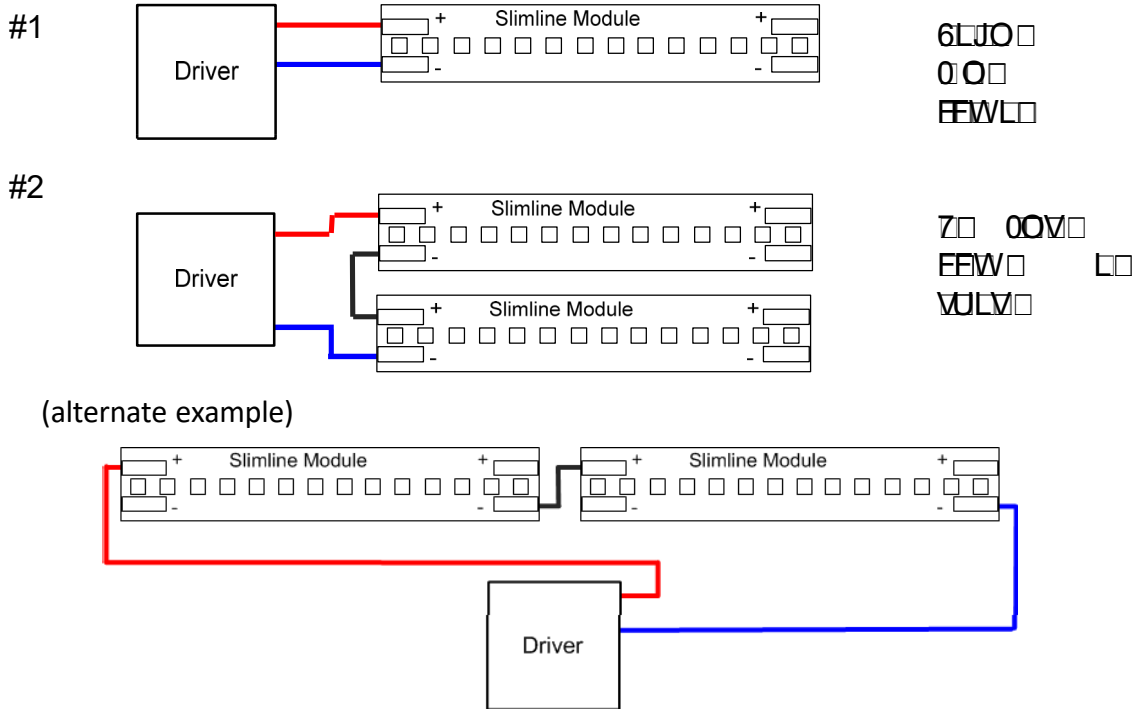
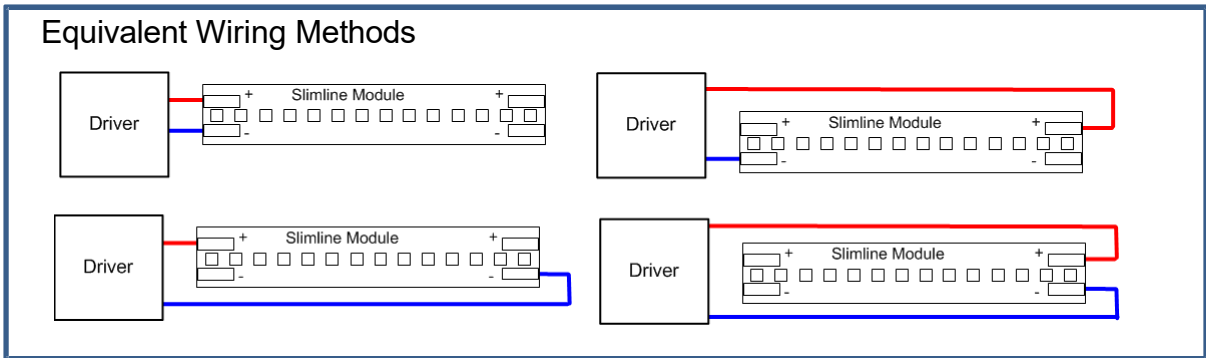




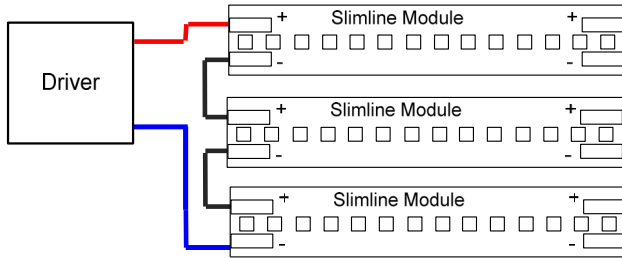
**Slimline Module Wiring Notes:**

The two “+” terminals are connected together on the module, and the two “-” terminals are also connected together. This allows for a variety of wiring connections that are electrically equivalent to be used, depending on which method works best for the application.

The equivalent diagrams shown below will all provide an electrically equivalent method to connect the driver to the module.

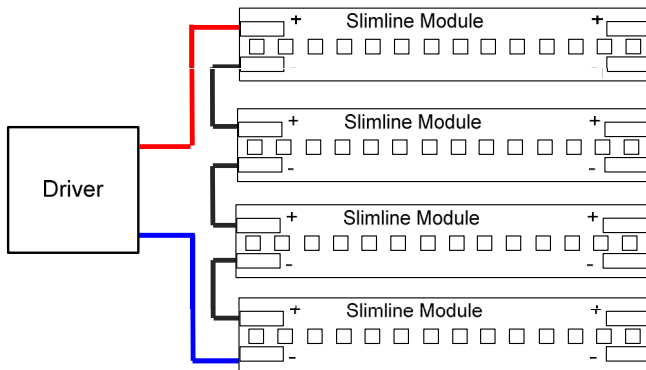


#3



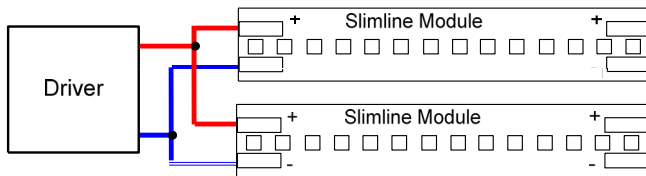
Three Modules connected in series.

#4



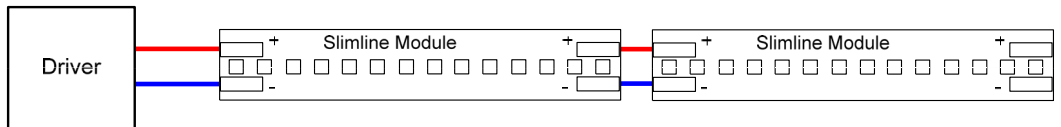
Four Modules connected in series.

#5

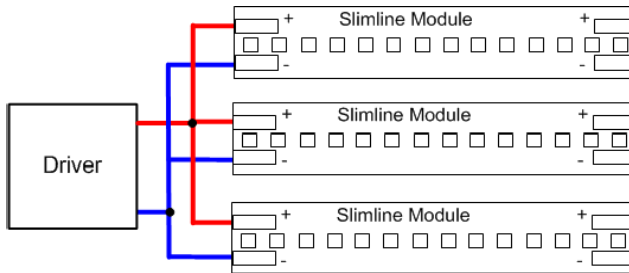


Two modules are connected in parallel with each other and will split the output from the driver.

(alternate example)

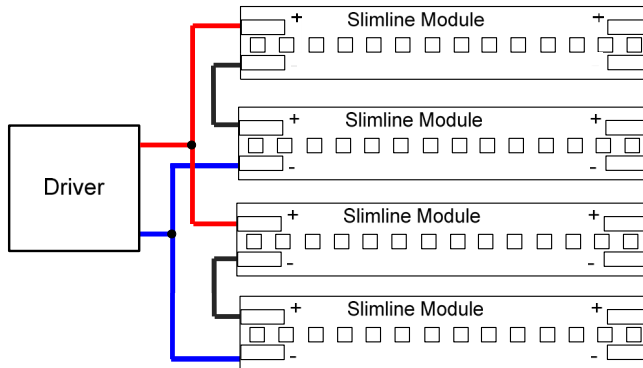


#6



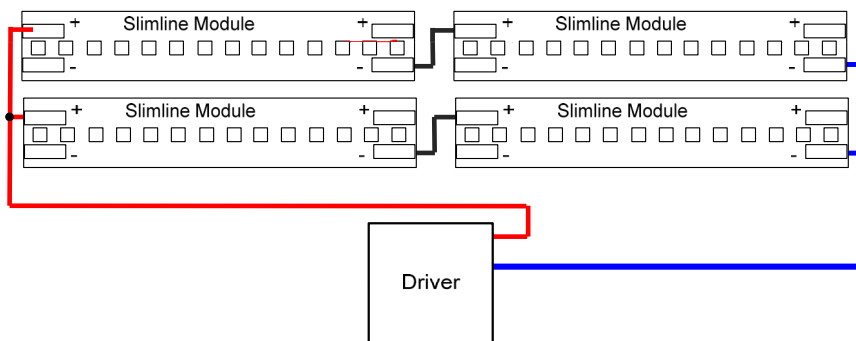
Three modules are connected in parallel with each other and will split the output from the driver.

#7

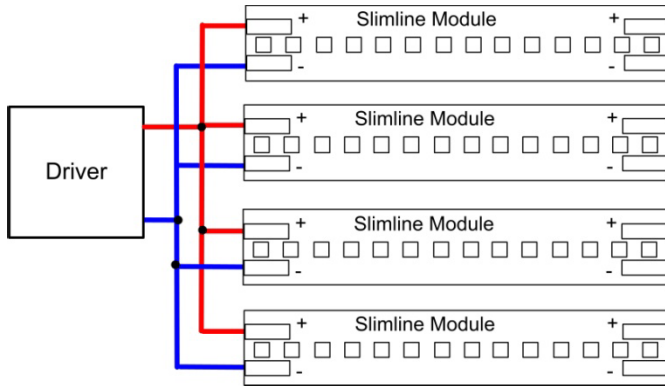


Modules are connected in series – parallel configuration. Two modules are in series with each other, and they are connected with the other two modules that are series connected.

(alternate example)



#8



Four modules are connected in parallel with each other and will split the output from the driver.