













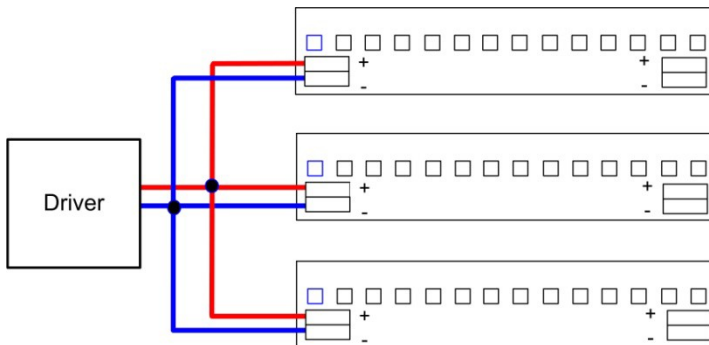






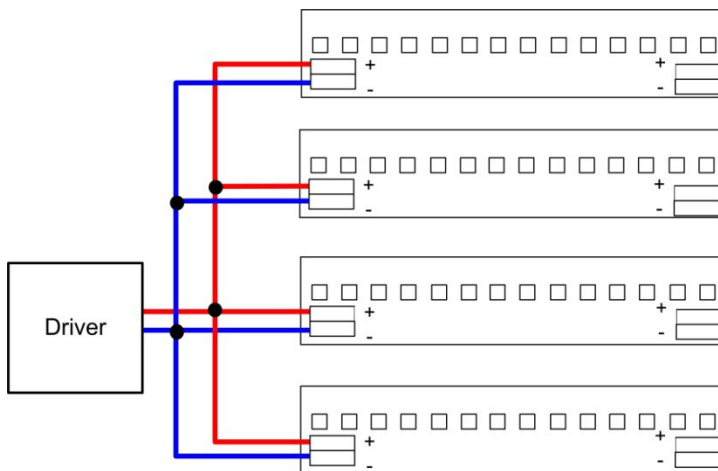


Z96-3



Modules are connected in parallel with each other and will split the output current from the driver.

Z96-4



Modules are connected in parallel with each other and will split the output current from the driver.