

## Universal Douglas System Application Note: M2 24LED & 48LED Linear System Configurations

**Purpose:**

Universal Douglas second generation series of linear LED modules can be operated with a variety of Universal Douglas LED drivers to provide a wide range of system lumen performance options and tunable output capabilities. The chart below identifies several combinations with system lumens ranging from 1,60 to 11,000+ lumens.

Module p/n	# of Modules	Driver p/n	Tunable Output?*	System Lumens	Module Current	System Power	System Lm/W	Connection Diagram
------------	--------------	------------	------------------	---------------	----------------	--------------	-------------	--------------------

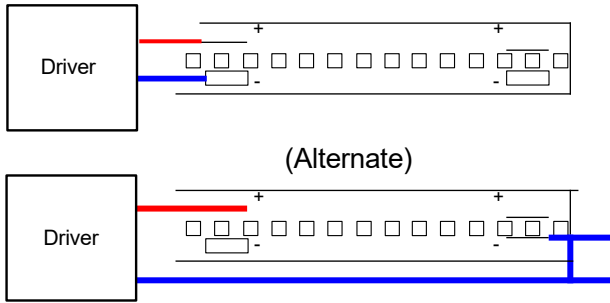
**24 LED Module 22" x 0.71"**

M450C840D24N2L	1	D700C30zzzTZCP64C (0.45A)	Tuned	1625	0.450	15	107	M-1
M450C840D24N2L	2	D700C30zzzTWCP50C (0.35A)	Tuned	2580	0.350	21	126	M-2S
M450C840D24N2L	2	D700C30zzzTWCP64C (0.45A)	Tuned	3250	0.450	26	125	M-2S
M450C840D24N2L	4	D10CC55zzzTZCP67C (0.70A)	Tuned	5160	0.350	38	135	M-4SP
M450C840D24N2L	4	D10CC55zzzTZCP87C (0.90A)	Yes	6500	0.450	49	132	M-4SP

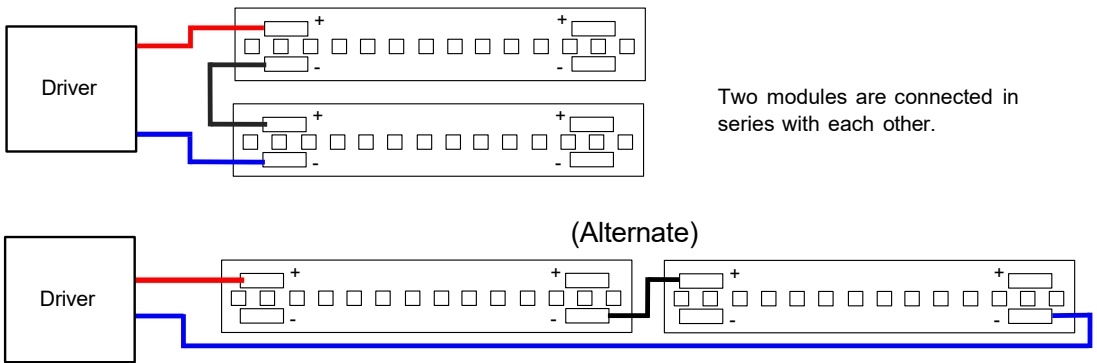
**48 LED M2 Module 22" x 0.71"**

M900C840D48N2L	1	D700C30zzzTZ-C	Yes	2590	0.700	21	123	M-1
M900C840D48N2L	1	D10CC30zzzTWCP86C (0.90A)	Yes	3250	0.900	27	121	M-1
M900C840D48N2L	2	D700C30zzzTWCP75C (0.53A)	Yes	3990	0.530	29	138	M-2S
M900C840D48N2L	2	D10CC55zzzTZCP67C (0.70A)	No	5180	0.700	38	136	M-2S
M900C840D48N2L	2	D10CC55zzzTZCP87C (0.90A)	Yes	6500	0.900	49	132	M-2S
M900C840D48N2L	4	D10CC55UNVTZ-C	Yes	7900	0.525	54	145	M-4SP
M900C840D48N2L	4	D15CC55UNVTWCP78C (1.16A)	Yes	7900	0.580	55	143	M-4SP
M900C840D48N2L	4	D21CC80zzzTWDP67C (1.40A)	Yes	10360	0.700	74	139	M-4SP
M900C840D48N2L	4	D21CC80zzzTWDP78C (1.64A)	Yes	11960	0.825	88	135	M-4SP

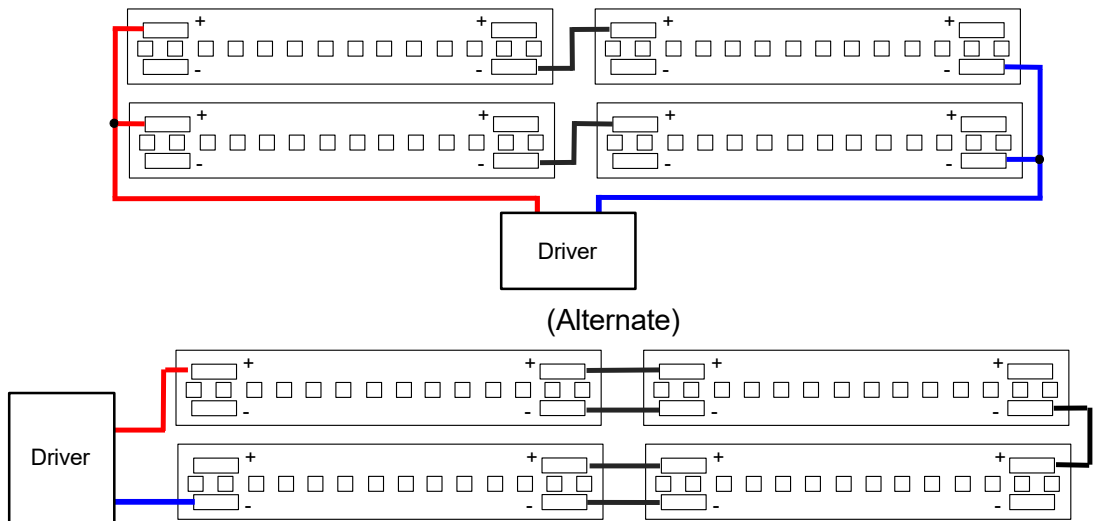
M-1



M-2S



M-4SP



Modules are connected in either a series-parallel or parallel-series configuration.